

RIESE & MÜLLER

E-Bike Bosch Components

Instruction Manual **EN**

Mode d'emploi **FR**

Modo de empleo **ES**

e-powered by



BOSCH



NORTH AMERICA

Dear customer,

congratulations on the purchase of your Riese & Müller E-bike with Bosch drive!

In this instruction manual the following original instructions from Bosch include:

EN-2 The Bosch Drive System 20 mph

EN-10 Performance Line Drive Unit 20 mph

EN-18 The Bosch Drive System 28 mph

EN-28 Performance Line Drive Unit 28 mph

EN-34 PowerPack

EN-49 Charger

EN-58 Intuvia Display

We hope you enjoy your new E-bike and that you always have a good ride.

Your Riese & Müller team

Chère cliente, cher client,

nous vous félicitons pour votre acquisition d'un nouveau Riese & Müller E-bike à assistance Bosch.

Dans ce manuel vous trouverez les modes d'emploi originaux diffusés par Bosch :

FR-2 Bosch Drive System 20 mph

FR-11 Performance Line Drive Unit 20 mph

FR-18 Bosch Drive System 28 mph

FR-29 Performance Line Drive Unit 28 mph

FR-36 Batterie PowerPack

FR-50 Chargeur

FR-59 Display Intuvia

Nous vous souhaitons beaucoup de plaisir avec votre nouveau vélo et une bonne route.

Votre équipe Riese & Müller

Estimado cliente,

felicitaciones por su nueva E-Bike de Riese & Müller con Motor Bosch!

En este manual estan incluidas las siguientes instrucciones originales de Bosch:

- ES-2** Bosch Drive System 20 mph
- ES-11** Performance Line Drive Unit 20 mph
- ES-18** Bosch Drive System 28 mph
- ES-30** Performance Line Drive Unit 28 mph
- ES-37** Batería PowerPack
- ES-51** Cargador
- ES-59** Display Intuvia

Le deseamos un viaje seguro y que disfrute de su nueva E-Bike.

Su equipo de Riese & Müller.

English

- EN-2** The Bosch Drive System 20 mph
- EN-10** Performance Line Drive Unit 20 mph
- EN-18** The Bosch Drive System 28 mph
- EN-28** Performance Line Drive Unit 28 mph
- EN-34** PowerPack
- EN-49** Charger
- EN-58** Intuvia Display

Performance Line

20 mph



Owner's Manual – The Bosch Drive System (20 mph)

Drive Unit | On-board computer | PowerPack | Charger

0 275 007 038/039/045 | 1 270 020 906/909/916/917 | 0 275 007 524...526/533...536/538 |
0 275 007 906/915



BOSCH

en Original instructions



This manual contains important safety, performance and service information. Read and understand it along with the information provided to you by your bicycle manufacturer before using the product, and keep it for reference.

Age: 16+



Introduction

Thank You for Purchasing a Bosch Drive System Equipped Bicycle!

Your Bosch eBike system team appreciates having you as a customer and wishes you many years of safe and satisfied use of your bicycle.

General Warnings



Read all safety warnings and all instructions.

Failure to follow the warnings and instructions may result in death or serious injury.

Save all safety warnings and instructions for future reference.

The term “battery pack” used in these operating instructions refers both to standard battery packs (battery packs with holder on the bike frame) and to rack-type battery packs (battery packs with holder in the rear rack/carrier).

About Warnings

This manual contains many “**DANGER**”, “**WARNING**”, and “**CAUTION**” indicators concerning the consequences of failing to use, assemble, maintain, store, inspect and dispose of a Bosch-equipped eBike in a safe manner.

The combination of the safety alert symbol and the word “**DANGER**” indicates a hazardous situation that, if not avoided, **will** result in death or serious injury.

The combination of the safety alert symbol and the word “**WARNING**” indicates a hazardous situation that, if not avoided, **could** result in death or serious injury.

The combination of the safety alert symbol and the word “**CAUTION**” indicates a hazardous situation that, if not avoided, could result in minor or moderate injury.

⚠ WARNING

- ▶ **The Bosch Drive System is intended for use by persons 16 years of age and older.** Riders must have the physical coordination, reaction and mental capabilities to control a bike and manage traffic, road conditions, and sudden situations, and also to respect the laws and instructions governing bicycle use.
- ▶ **This manual contains important safety, performance and service information.** Read it before you take the first ride on your new bicycle, and keep it for reference. The manual can also be found online at www.bosch-ebike.com.
- ▶ **This manual is intended to be read together with the separate user manual provided with your bicycle.** Be sure to read all provided documents including labels on the product before your first ride.

- ▶ **Read ALL accompanying manuals before riding the bike for the first time.** Your Bosch Drive System comes with additional manuals and documents provided by the manufacturer of the bicycle and other components. Failure to read and understand safety information can result in death or serious injury.
- ▶ **Take responsibility for your own SAFETY.** If you have any questions or do not understand something, contact your Bosch eBike dealer or the bicycle or component manufacturer.
- ▶ **Some eBike accessories may present a choking hazard to small children.** Keep these accessories away from children.

⚠ CAUTION

- ▶ **The Bosch Drive System adds weight to your bicycle which you may not be used to lifting.** Avoid injury; use proper lifting techniques.

Using Your Operator’s Manual

Your instruction manual consists of several parts:

- instructions for the Bosch eBike system (this manual)
- instructions for the drive unit
- instructions for the on-board computer
- instructions for the charger
- instructions for the battery

- ▶ **Read and observe the safety warnings and instructions in all operating instructions of the eBike system and your eBike.**

Graphics

The bicycle shown in this manual may differ slightly from your bicycle, but will be similar enough to help you understand our instructions.

RIGHT-HAND and LEFT-HAND sides are determined by facing in the direction the bicycle will travel when going forward. When you see a broken line (-----), the item referred to is hidden from view.

Bosch Drive System Overview

Bicycle View (Standard)

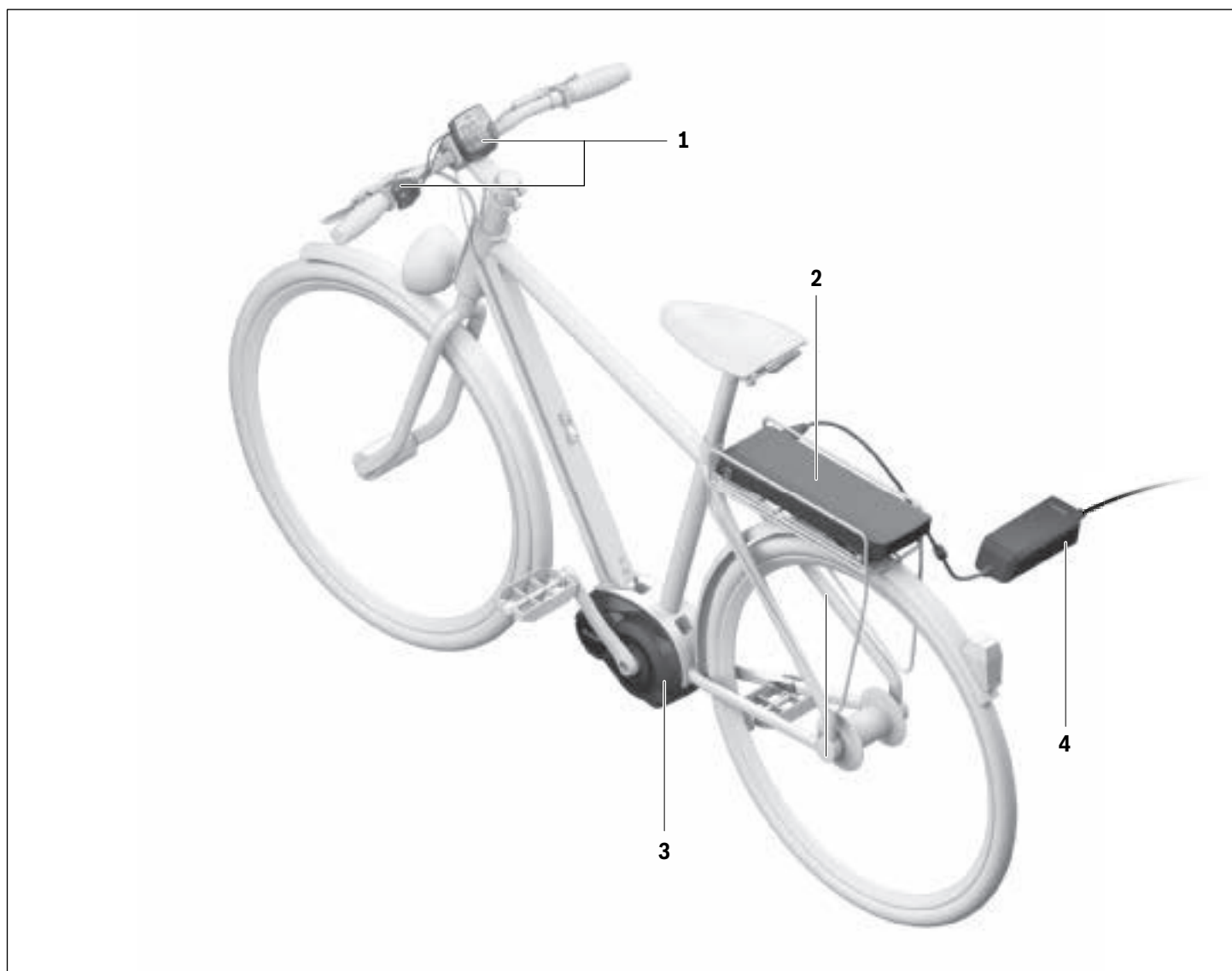


Bosch Drive System Components

All representations of bike components, with the exception of the eBike components, are schematic and can deviate from your eBike.

- 1** On-board computer
- 2** Standard battery pack "PowerPack"
- 3** Drive unit
- 4** Battery charger

Bicycle View (Rack-Type)



Bosch Drive System Components

All representations of bike components, with the exception of the eBike components, are schematic and can deviate from your eBike.

- 1 On-board computer
- 2 Rack-type battery pack "PowerPack"
- 3 Drive unit
- 4 Battery charger

Operating your Bosch Drive System

Getting Ready to Ride

⚠ WARNING

- ▶ **Read and understand all safety warnings and instructions.** Failure to follow the warnings below could result in death or serious injury.
- ▶ **Protect others from death or serious injury. Prevent unauthorized use.** Always remove the battery from the bicycle when not in use and store in a secure location. Failure to secure your bicycle from unauthorized use can result in death or serious injury to others.

Before your first ride

Check your bicycle owner's manual for important information about the bike components, such as brakes, pedals, gears, shifting equipment, etc.

⚠ WARNING

- ▶ **While riding, do not become distracted by the on-board computer and always remain alert to all riding situations.** The on-board computer should only be used in a stationary and safe start-up position. Use the operating unit to change motor assistance levels while riding.
- ▶ **Check your bicycle manual for the maximum riding weight of your bicycle.** Overloading your bicycle can result in component failure, which can result in death or serious injury. Typically, the maximum riding weight is defined by the sum of the rider's weight plus the weight of any luggage.

Intended Use

⚠ WARNING

- ▶ **Understand your bike and its intended use by checking your bicycle owner's manual.** Using your bike the wrong way and for a purpose for which it was not designed can result in death or serious injury.

The Bosch Drive System components are intended exclusively for your eBike and may not be used for other purposes.

Your Bosch Drive unit is not intended for towing another bicycle. For trailer towing, check your bicycle owner's manual and the trailer owner's manual for towing instructions and towing compatibility.

Safe Start-Up Procedure

⚠ WARNING

- ▶ **Follow the safe start-up procedure below.** Failure to follow the safe start-up procedure can result in death or serious injury.

Preparations

Before starting, check the following:

- Check that you have unplugged the battery charger
- Your battery pack is locked in place (pull on the battery pack to ensure it is locked in place)
- Remove the battery pack key

Start Riding

- Sit in the saddle with both feet touching the ground and both hands on the handlebars.
- Once you are in a stable position, turn on the Bosch on-board computer. The Bosch Drive System will always start-up in the **“OFF”** mode.
- Place both hands on the handlebars and begin pedaling.

Notes on Riding with the eBike System

When does the eBike Drive Unit Operate?

The eBike drive unit assists you when riding, as long as you step on the pedals. Without pedaling, there is no assistance. The motor output always depends on the amount of your pedaling power.

When applying less pedaling power, the assistance or support will be lower than when applying a lot of pedaling power. This applies independent of the assistance level.

The eBike motor assistance automatically switches off at speeds in excess of 20 mph. When the speed falls below 20 mph, the motor assistance is automatically available again.

The eBike can also be ridden as a normal bicycle without assistance at any time, by either switching off the eBike system or setting the assistance level to **“OFF”**. The same applies when the battery pack is empty.

Interaction of the eBike System with the Bicycle Gears

The bicycle gears should be used as with a normal bicycle, even with eBike motor assistance (please follow the operating instructions for your eBike).

Independent of the type of gearing, it is recommended to briefly interrupt the pedaling while changing gears. This makes changing gears easier and reduces the wear on the drive train.

By selecting the right gear, you can increase the speed and range with the same pedaling effort.

Test the operating range of your eBike under different conditions before planning longer and more challenging rides.

- ▶ **Read and understand the “Influences on the Operating Range” section below before planning your ride.**

Influences on the Operating Range

The operating range depends on many factors, such as the following:

- Assistance level,
- Speed,
- Gear-switching behavior,
- Bicycle tires and tire pressure,
- Age and condition of the battery pack,
- Route profile (inclines) and road or path conditions (road or path surface),
- Headwind and ambient temperature,
- Weight of the eBike, rider and equipment/luggage.

For this reason, it is not possible to precisely predict the range before or during a trip. General rules:

- For the **same** assistance level of the eBike drive unit: the less power or force that you have to bring about to reach a certain speed (e.g., through optimal use of the gears), the less energy the eBike drive unit will consume, and the greater the range will be for a battery pack charge.
- The **higher** the assistance level under otherwise identical conditions, the shorter the range will be.

Note: Plan your routes so that you can also reach your destination each time without motor assistance.

Transport

⚠ WARNING

- ▶ **If you carry your eBike outside of your car, e.g. on a luggage rack, remove the on-board computer and the eBike battery pack in order to avoid damaging them.** (If the on-board computer cannot be fitted onto a bracket, it is not possible to remove it from the bicycle. In this case, the on-board computer may remain on the bicycle.)
- ▶ **Always remove the battery pack from the bicycle before transporting the bicycle on a vehicle bike rack.** Failure to remove the battery pack when using a vehicle bike rack can lead to death or serious injury. The battery may detach during transport and cause an accident to following vehicles.
- ▶ **Always use an approved and compatible bicycle rack when transporting your eBike. The Bosch Drive System adds weight to the bicycle.** Refer to your bicycle rack manual to be sure your eBike is compatible. Overloading a bike rack can result in death or serious injury.
- ▶ **Use proper lifting techniques because electric bikes are generally heavier than bicycles.**

Ship batteries only when the housings are undamaged. Tape or mask off open contacts and pack up the battery in such a way that it cannot move around in the packaging. Notify your parcel service that the package contains dangerous goods. Please also follow possibly more detailed national regulations. Always check the state and federal regulations before attempting to ship your battery.

In case of questions concerning transport of the battery packs, please contact an authorized Bosch eBike dealer. Bosch eBike dealers can also provide suitable transport packaging.

Maintenance/Cleaning

⚠ WARNING

- ▶ **Your Bosch Drive System components are maintenance-free.** Do not open any of the components. Service should only be carried out at an authorized Bosch eBike dealer. Failure to follow the above warning may result in death or serious injury. Refer to your bicycle manual or component manual for all non-Bosch Drive System components.
- ▶ **Always remove the battery pack before performing any bicycle inspection, maintenance or repair.** Failure to remove the battery pack before performing bicycle inspection, maintenance or repair can lead to serious injury.
- ▶ **If you suspect that something is loose, do not ride your bike.** See your Bosch eBike dealer; only a qualified service provider should perform work on your Bosch Drive System. All nuts, bolts, screws require the correct tightening force. Too little force and the fastener may not hold securely. Too much force and the fastener can stretch, deform or break, or the threads can be stripped. Either way, incorrect tightening force can result in component failure, which can cause you to lose control and fall.
- ▶ **If replacing your battery, only buy a genuine Bosch battery pack from an approved source. See your Bosch eBike dealer for original Bosch parts.**
- ▶ **Always switch the battery pack off when inserting or removing it from the holder.** Never attempt to insert or remove the battery pack while riding the bike.
- ▶ **Do not charge or use your eBike in any area with a potentially explosive atmosphere, such as at a fueling area, or in areas where the air contains chemicals or particles (such as grain, dust, or metal powders).** Obey all signs and follow all instructions.
- ▶ **Do not submerge your eBike components in water, or wash using a pressurized hose.** Your Bosch drive unit is designed to be water tight in regards to rain water and non-pressurized hose washing.
- ▶ **Note down the manufacturer and the number of the key.** In case the keys are lost, please contact an authorized Bosch eBike dealer. Please provide the name of the manufacturer and the number of the key.
- ▶ **Do not paint any components of the Bosch Drive System as this may cause premature failure of the components.**

Careful Handling of the eBike

Please observe the operating and storage temperatures for the eBike components. Protect the drive unit, on-board computer and battery pack against extreme temperatures (e.g., from intense sunlight without adequate ventilation). The components (especially the battery pack) can become damaged because of extreme temperatures.

It is recommended to have your eBike system checked by an expert at least once a year (including mechanical parts and to update the system software).

Please contact an authorized bicycle dealer for service or repairs to the eBike.

After Sale Service and Customer Assistance

In case of questions concerning the eBike system and its components, please contact an authorized Bosch eBike dealer.

Contact data for authorized Bosch eBike dealers can be found at www.bosch-ebike.com

When the battery pack is no longer operative, please contact an authorized Bosch eBike dealer.

Cleaning

- ▶ **Do not submerge your eBike components in water, or wash using a pressurized hose.** Your Bosch drive unit is designed to be water tight in regards to rain water and non-pressurized hose washing.

Keep all components of your eBike clean, especially the battery pack contacts and the corresponding holder contacts.

All components including the drive unit may not be immersed in water or cleaned with a high-pressure cleaner. Keep all components of your eBike clean, especially the battery pack contacts and the corresponding holder contacts. Clean them carefully with a soft, damp cloth (using only mild soap and water).

Battery Recycling Program

General Warnings

Disposal



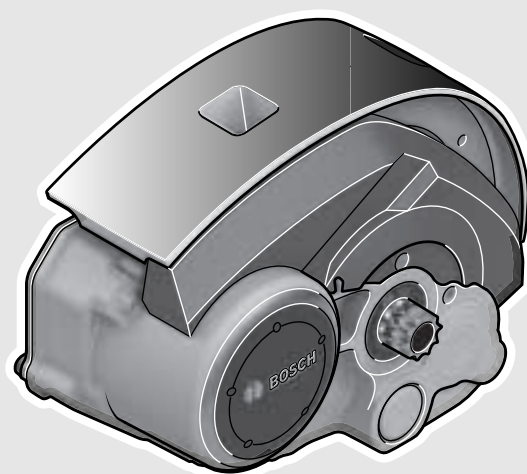
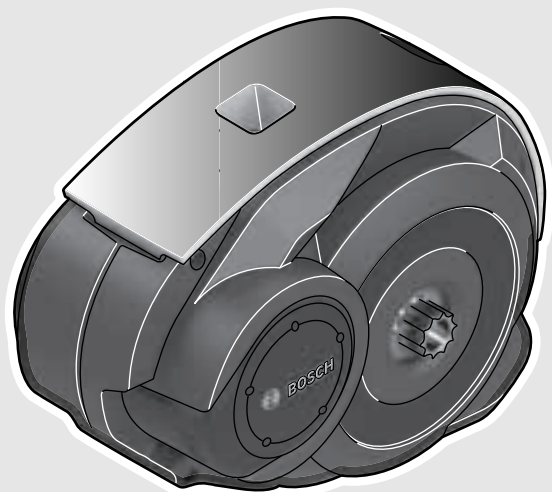
The drive unit, on-board computer (incl. the operating unit), battery pack, speed sensor, accessories and packaging should be sorted for environmentally-friendly recycling.

Do not dispose of eBikes and their components with the household waste!



You may recycle your Bosch battery pack by calling 1-800-822-8837.

Performance Line



Owner's Manual – The Bosch Drive System (20 mph) Drive Unit

BDU280P CX: 0 275 007 038 | BDU280P: 0 275 007 065



BOSCH

en Original instructions



This manual contains important safety, performance and service information. Read and understand it along with the information provided to you by your bicycle manufacturer before using the product, and keep it for reference.



Introduction

Thank You for Purchasing a Bosch Drive System Equipped Bicycle!

Your Bosch eBike system team appreciates having you as a customer and wishes you many years of safe and satisfied use of your bicycle.

General Warnings



Read all safety warnings and all instructions.

Failure to follow the warnings and instructions may result in death or serious injury.

Save all safety warnings and instructions for future reference.

The term “battery pack” used in these operating instructions refers to all original Bosch eBike battery packs.

About Warnings

This manual contains many “**DANGER**”, “**WARNING**”, and “**CAUTION**” indicators concerning the consequences of failing to use, assemble, maintain, store, inspect and dispose of a Bosch-equipped eBike in a safe manner.

The combination of the safety alert symbol and the word “**DANGER**” indicates a hazardous situation that, if not avoided, **will** result in death or serious injury.

The combination of the safety alert symbol and the word “**WARNING**” indicates a hazardous situation that, if not avoided, **could** result in death or serious injury.

The combination of the safety alert symbol and the word “**CAUTION**” indicates a hazardous situation that, if not avoided, could result in minor or moderate injury.

WARNING

- ▶ **This manual contains important safety, performance and service information.** Read it before you take the first ride on your new bicycle, and keep it for reference.

The manual can also be found online at www.bosch-ebike.com.

- ▶ **This manual is intended to be read together with the separate user manual provided with your bicycle.** Be sure to read all provided documents including labels on the product before your first ride.

- ▶ **Read ALL accompanying manuals before riding the bike for the first time.** Your Bosch Drive System comes with additional manuals and documents provided by the manufacturer of the bicycle and other components. Failure to read and understand safety information can result in death or serious injury.
- ▶ **Take responsibility for your own SAFETY.** If you have any questions or do not understand something, contact your Bosch eBike dealer or the bicycle or component manufacturer.
- ▶ **Some eBike accessories may present a choking hazard to small children.** Keep these accessories away from children.

CAUTION

- ▶ **The Bosch Drive System adds weight to your bicycle which you may not be used to lifting.** Avoid injury; use proper lifting techniques.

Using Your Operator’s Manual

Graphics

The bicycle shown in this manual may differ slightly from your bicycle, but will be similar enough to help you understand our instructions.

RIGHT-HAND and LEFT-HAND sides are determined by facing in the direction the bicycle will travel when going forward. When you see a broken line (-----), the item referred to is hidden from view.

Operating your Bosch Drive Unit

Safety Rules



Read and understand all safety warnings and instructions. Failure to follow the warnings below could result in death or serious injury.

Save all safety warnings and instructions for future reference.

The term “battery pack” used in these operating instructions refers to all original Bosch eBike battery packs.

- ▶ **Do not open the drive unit yourself. The drive unit must be repaired only by qualified experts and only with original spare parts.** This will ensure that the safety of the drive unit is maintained. Unauthorized opening of the drive unit will void warranty claims.
- ▶ **All components attached to the drive unit and all other components of the eBike drive (e.g., the chainwheel, chainwheel seat, pedals) may be replaced only with identical components or components specifically approved for your eBike by the bicycle manufacturer.** This protects the drive unit against overload and damage.
- ▶ **Remove the battery pack from the eBike before beginning work (e.g. inspection, repair, assembly, maintenance, work on the chain, etc.) on the eBike, transporting it by car or plane, or storing it.** Unintentional activation of the eBike system poses a risk of injury.
- ▶ **The eBike system can switch itself on when the eBike is pushed backwards.**
- ▶ **Using the walk assistance function is only recommended when pushing the eBike.** There is risk of injury if the wheels of the eBike are not in contact with the ground while using the walk assistance.
- ▶ **While using the walk assistance, the pedals will rotate on bikes with back-pedaling function.** Due to the risk of injury, please make sure that your body is a sufficient distance away from the rotating pedals.
- ▶ **Use only original Bosch battery packs approved for your eBike by the manufacturer.** Using other battery packs can lead to injuries and pose a fire hazard. When using other battery packs, the warranty is void and Bosch shall not assume any liability.
- ▶ **Do not make any modifications to your eBike system or attach any other products which would be suitable for increasing the performance of your eBike system.** Unauthorized modification of the system could result in death or serious injury.
- ▶ **Please follow all local, state and federal regulations when registering and using eBikes.**
- ▶ **Read and observe the safety warnings and instructions in all operating instructions of the eBike system and your eBike.**

Product Description and Specifications

Intended Use

The drive unit is intended only for driving your eBike and must not be used for other purposes.

Technical Data

Drive unit		Drive Unit Cruise
Article number		0 275 007 065
Rated continuous power	W	250
Torque at drive, max.	Nm	63
Rated voltage	V $\overline{---}$	36
Operating temperature	°F	+23... +104
Storage temperature	°F	+14... +122
Degree of protection		IP 54 (dust and splash water protected)
Weight, approx.	lb	8.8

Drive unit		Drive Unit CX
Article number		0 275 007 038
Rated continuous power	W	250
Torque at drive, max.	Nm	75
Rated voltage	V $\overline{---}$	36
Operating temperature	°F	+23... +104
Storage temperature	°F	+14... +122
Degree of protection		IP 54 (dust and splash water protected)
Weight, approx.	lb	8.8

Bike lights ¹⁾		
Voltage, approx. ²⁾³⁾	V $\overline{---}$	6/12
Maximum output		
– Front light	W	8.4/17.4
– Rear light	W	0.6/0.6

1) Not possible via the eBike battery pack in all country-specific versions, depending on the statutory regulations

2) The voltage level is preset and can be changed only by the eBike dealer.

3) When changing the bulbs, ensure that the bulbs are also compatible with the Bosch eBike system (ask your eBike dealer) and that the specified voltage matches. Bulbs must be replaced only with bulbs of the same voltage.

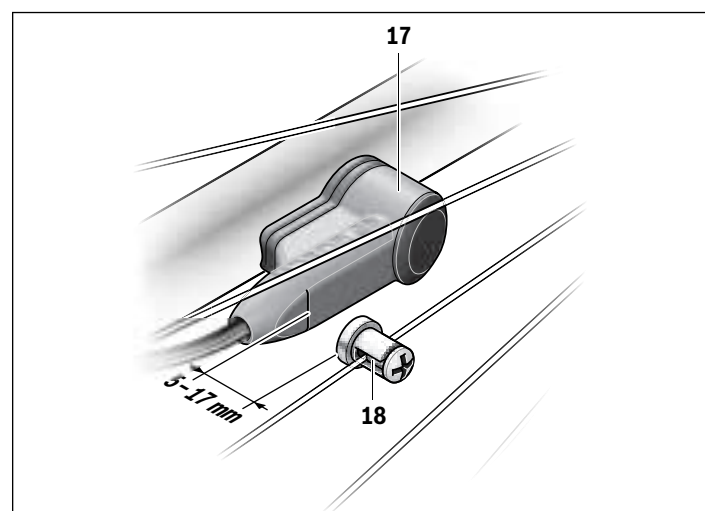
► **Incorrectly installed bulbs can be destroyed or cause damage to the system.**

Assembly

Inserting and removing the battery pack

To insert or remove the battery pack in/from the eBike, please read and follow the battery pack operating instructions.

Checking the Speed Sensor



17 Speed sensor

18 Spoke magnet for the speed sensor

The speed sensor **17** and its spoke magnet **18** must be attached in such a way that the spoke magnet, after a turn of the wheel, moves past the speed sensor with a clearance of at least 5 mm, yet no more than 17 mm.

Note: If the clearance between the speed sensor **17** and the spoke magnet **18** is too small or too large, or if the speed sensor **17** is not properly connected, the speed indicator will fail, and the eBike drive unit will operate in the emergency mode. In this case, loosen the screw for the spoke magnet **18** and fasten the spoke magnet to the spoke in such a way that it runs past the mark of the speed sensor at the correct clearance. If the speed is still not being indicated on the speed indicator after this is done, please contact an authorized Bosch eBike dealer.

Operation

Initial Operation

Requirements

The eBike system can only be activated when the following requirements are met:

- A sufficiently charged battery pack is inserted (see battery pack operating instructions).
- The on-board computer is properly inserted in the holder (see on-board computer operating instructions).
- The speed sensor is connected properly (see “Checking the Speed Sensor”, page English – 4).

Switching the eBike System On/Off

Options for **switching on** the eBike system:

- If the on-board computer is already switched on when inserted into the holder, then the eBike system will be switched on automatically.
- When the on-board computer and the eBike battery pack are inserted, briefly press the On/Off button of the on-board computer once.
- When the on-board computer is inserted, press the On/Off button on the battery pack.

Once it is switched on, the eBike system is in the **“OFF”** mode. Select the desired assistance level and take off.

The drive is activated as soon as you put pressure on the pedals. The assistance level depends upon the on-board computer settings.

As soon as you stop pedaling when in normal operation, or as soon as you have reached a speed of 20 mph, the assistance from the eBike drive unit is switched off. The motor assistance is automatically re-activated as soon you start pedaling again and the speed is below 20 mph.

Options for **switching off** the eBike system:

- Press the On/Off button of the on-board computer.
- Switch off the eBike battery using its On/Off button (bicycle manufacturer-specific solutions are possible whereby there is no access to the battery On/Off button; see the bicycle manufacturer operating instructions).
- Remove the on-board computer out of its holder.

If the eBike is not moved **and** no button is pressed on the on-board computer for 10 minutes, the eBike system will shut down automatically in order to save energy.

eShift (optional)

eShift is the integration of electronic gear shifting systems into the eBike system. The eShift components are electrically connected to the drive unit by the manufacturer. The separate operating instructions describe how to operate the electronic gear-shifting systems.

Setting the Assistance Level

With the on-board computer you can set how much the eBike drive assists you while pedaling. The assistance level can be changed at any time while the system is on, even while cycling.

Note: For individual versions, it is possible that the assistance level is preset and cannot be changed. It is also possible that fewer assistance levels are available for selection than listed here.

When the eBike is configured in **“eMTB Mode”** by the manufacturer, the assistance factor and torque are dynamically adjusted as a function of the force you exert on the pedals. **“eMTB Mode”** is only available for Performance Line CX drives.

The following assistance levels (max.) are available:

- **“OFF”**: The motor assistance is switched off and the eBike can be moved by pedaling. The walk assistance cannot be activated in this assistance level.
- **“ECO”**: Effective assistance at maximum efficiency for maximum cruising range
- **“TOUR”**: Uniform assistance, for touring with long cruising range
- **“SPORT”/“eMTB”**
 - “SPORT”**: Powerful assistance for sporty off-road riding, as well as for urban traffic
 - “eMTB”**: Optimal assistance whatever the terrain, rapid acceleration when starting from a standstill, improved dynamics and top performance.
- **“TURBO”**: Maximum assistance, supporting the highest speed for sporty riding

The motor output requested appears on the display of the on-board computer (not on Purion). The maximum motor output depends on the selected assistance level.

Assistance Level	Assistance Factor ¹⁾ (Derailleur)	
	Cruise	CX
“ECO”	55 %	55 %
“TOUR”	120 %	120 %
“SPORT”/“eMTB”	190 %	210 % ... 300 % ²⁾
“TURBO”	275 %	300 %

1) The assistance factor may vary on the individual versions.

2) Maximum value

Once it is switched on, the eBike system is in the “OFF” mode.

Switching the Walk Assistance On/Off

The walk assistance can make it easier for you to push the eBike. The speed of this function depends on the selected gear and can reach a maximum of 3.7 mph. The lower the selected gear, the lower the speed of the walk assistance function (at full capacity).

- **Using the walk assistance function is only recommended when pushing the eBike.** There is risk of injury if the wheels of the eBike are not in contact with the ground while using the walk assistance.

To **activate** the walk assistance function, briefly press button “WALK” on your on-board computer. After activation, press button “+” within 3 s and keep it pressed. The eBike drive is switched on.

Note: The walk assistance cannot be activated in the “OFF” assistance level.

The walk assistance is **switched off** as soon as one of the following occurs:

- you release the button “+”,
- the wheels of the eBike are stopped (e.g. by actuating the brakes or impacting against an obstacle),
- the speed exceeds 3.7 mph.

Note: On some systems the walk assistance function can be started directly by pressing the “WALK” button.

Switching bike lights On/Off

On the version which has bike lights powered by the eBike system, the front and rear lights can be switched on and off at the same time via the on-board computer.

Maintenance/Cleaning

⚠ WARNING

- ▶ **Do not open any of the components. Service should only be carried out at an authorized Bosch eBike dealer.** Failure to follow the above warning may result in death or serious injury. Refer to your bicycle manual or component manual for all non-Bosch Drive System components.
- ▶ **Always remove the battery pack before performing any bicycle inspection, maintenance or repair.** Failure to remove the battery pack before performing bicycle inspection, maintenance or repair can lead to serious injury.
- ▶ **If you suspect that something is loose, do not ride your bike.** See your Bosch eBike dealer; only a qualified service provider should perform work on your Bosch Drive System. All nuts, bolts, screws require the correct tightening force. Too little force and the fastener may not hold securely. Too much force and the fastener can stretch, deform or break, or the threads can be stripped. Either way, incorrect tightening force can result in component failure, which can cause you to lose control and fall.
- ▶ **If replacing your battery, only buy a genuine Bosch battery pack from an approved source. See your Bosch eBike dealer for original Bosch parts.**
- ▶ **Always switch the battery pack off when inserting or removing it from the holder.** Never attempt to insert or remove the battery pack while riding the bike.
- ▶ **Do not charge or use your eBike in any area with a potentially explosive atmosphere, such as at a fueling area, or in areas where the air contains chemicals or particles (such as grain, dust, or metal powders).** Obey all signs and follow all instructions.
- ▶ **Do not submerge your eBike components in water, or wash using a pressurized hose.** Your Bosch drive unit is designed to be water tight in regards to rain water and non-pressurized hose washing.
- ▶ **Note down the manufacturer and the number of the key.** In case the keys are lost, please contact an authorized Bosch eBike dealer. Please provide the name of the manufacturer and the number of the key.
- ▶ **Do not paint any components of the Bosch Drive System as this may cause premature failure of the components.**

Careful Handling of the eBike

Please observe the operating and storage temperatures for the eBike components. Protect the drive unit, on-board computer and battery pack against extreme temperatures (e.g., from intense sunlight without adequate ventilation). The components (especially the battery pack) can become damaged because of extreme temperatures.

It is recommended to have your eBike system checked by an expert at least once a year (including mechanical parts and to update the system software).

Please contact an authorized bicycle dealer for service or repairs to the eBike.

After Sale Service and Customer Assistance

In case of questions concerning the eBike system and its components, please contact an authorized Bosch eBike dealer.

Contact data for authorized Bosch eBike dealers can be found at www.bosch-ebike.com

When the battery pack is no longer operative, please contact an authorized Bosch eBike dealer.

Cleaning

- ▶ **Do not submerge your eBike components in water, or wash using a pressurized hose.** Your Bosch drive unit is designed to be water tight in regards to rain water and non-pressurized hose washing.

Keep all components of your eBike clean, especially the battery pack contacts and the corresponding holder contacts.

All components including the drive unit may not be immersed in water or cleaned with a high-pressure cleaner. Keep all components of your eBike clean, especially the battery pack contacts and the corresponding holder contacts. Clean them carefully with a soft, damp cloth (using only mild soap and water).

Performance Line

28 mph



Owner's Manual – The Bosch Drive System (28 mph)

Drive Unit | On-board computer | PowerPack | Charger

0 275 007 041 | 1 270 020 906/909/916/917 | 0 275 007 524/525/526/533...536/538 | 0 275 007 906/915



BOSCH

en Original instructions



This manual contains important safety, performance and service information. Read and understand it along with the information provided to you by your bicycle manufacturer before using the product, and keep it for reference.

Age: 18+



Introduction

Thank You for Purchasing a Bosch Drive System Equipped Bicycle!

Your Bosch eBike system team appreciates having you as a customer and wishes you many years of safe and satisfied use of your bicycle.

General Warnings



Read all safety warnings and all instructions.

Failure to follow the warnings and instructions may result in death or serious injury.

Save all safety warnings and instructions for future reference.

The term “battery pack” used in these operating instructions refers both to standard battery packs (battery packs with holder on the bike frame) and to rack-type battery packs (battery packs with holder in the rear rack/carrier).

About Warnings

This manual contains many “**DANGER**”, “**WARNING**”, and “**CAUTION**” indicators concerning the consequences of failing to use, assemble, maintain, store, inspect and dispose of a Bosch-equipped eBike in a safe manner.

The combination of the safety alert symbol and the word “**DANGER**” indicates a hazardous situation that, if not avoided, **will** result in death or serious injury.

The combination of the safety alert symbol and the word “**WARNING**” indicates a hazardous situation that, if not avoided, **could** result in death or serious injury.

The combination of the safety alert symbol and the word “**CAUTION**” indicates a hazardous situation that, if not avoided, could result in minor or moderate injury.

⚠ WARNING

- ▶ **The Bosch Drive System is intended for use by persons 18 years of age and older.** Riders must have the physical coordination, reaction and mental capabilities to control a bike and manage traffic, road conditions, and sudden situations, and also to respect the laws and instructions governing bicycle use.
- ▶ **This manual contains important safety, performance and service information.** Read it before you take the first ride on your new bicycle, and keep it for reference. The manual can also be found online at www.bosch-ebike.com.
- ▶ **This manual is intended to be read together with the separate user manual provided with your bicycle.** Be sure to read all provided documents including labels on the product before your first ride.

- ▶ **Read ALL accompanying manuals before riding the bike for the first time.** Your Bosch Drive System comes with additional manuals and documents provided by the manufacturer of the bicycle and other components. Failure to read and understand safety information can result in death or serious injury.
- ▶ **Take responsibility for your own SAFETY.** If you have any questions or do not understand something, contact your Bosch eBike dealer or the bicycle or component manufacturer.
- ▶ **Some eBike accessories may present a choking hazard to small children.** Keep these accessories away from children.

⚠ CAUTION

- ▶ **The Bosch Drive System adds weight to your bicycle which you may not be used to lifting.** Avoid injury; use proper lifting techniques.

Using Your Operator’s Manual

Your instruction manual consists of several parts:

- instructions for the Bosch eBike system (this manual)
- instructions for the drive unit
- instructions for the on-board computer
- instructions for the charger
- instructions for the battery
- ▶ **Read and observe the safety warnings and instructions in all operating instructions of the eBike system and your eBike.**

Graphics

The bicycle shown in this manual may differ slightly from your bicycle, but will be similar enough to help you understand our instructions.

RIGHT-HAND and LEFT-HAND sides are determined by facing in the direction the bicycle will travel when going forward. When you see a broken line (-----), the item referred to is hidden from view.

Bosch Drive System Overview

Bicycle View (Standard)

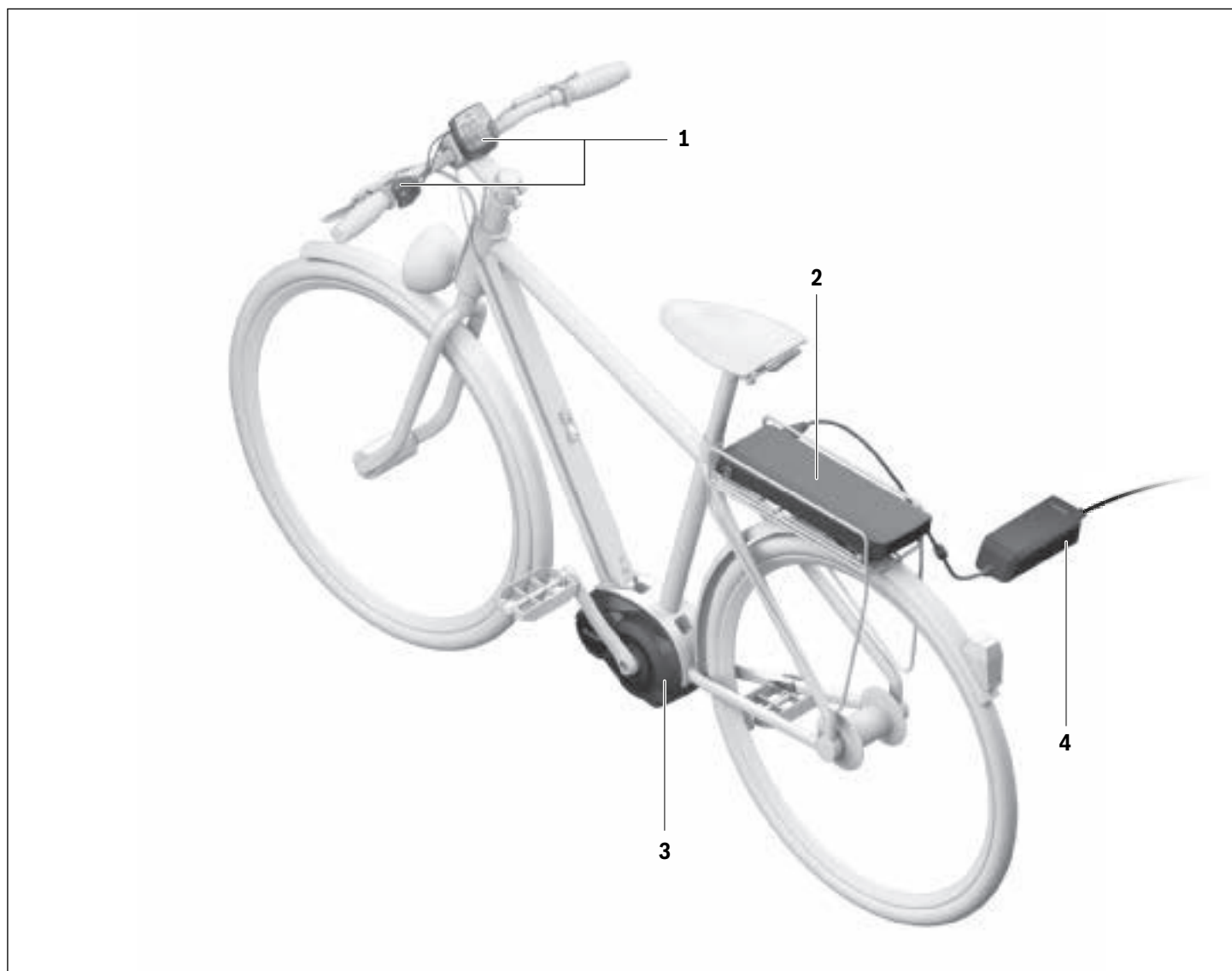


Bosch Drive System Components

All representations of bike components, with the exception of the eBike components, are schematic and can deviate from your eBike.

- 1 On-board computer
- 2 Standard battery pack "PowerPack"
- 3 Drive unit
- 4 Battery charger

Bicycle View (Rack-Type)



Bosch Drive System Components

All representations of bike components, with the exception of the eBike components, are schematic and can deviate from your eBike.

- 1 On-board computer
- 2 Rack-type battery pack "PowerPack"
- 3 Drive unit
- 4 Battery charger

On-Product Warning Labels

A



⚠ WARNING Avoid Serious Injury or Death

- Read owner's manuals and all warnings before first ride!
- Do not ride unless you are proficient / skilled in the activity of road cycling.
- No operators under 18 years of age.



⚠ AVERTISSEMENT Évitez toute blessure grave ou fatale

- Lisez les manuels d'utilisation et tous les avertissements avant la première utilisation
- Ne pas utiliser si vous manquez d'expérience/de compétence en matière de cyclisme sur route.
- Utilisation interdite avant 18 ans.



⚠ ADVERTENCIA Cómo evitar lesiones graves o la muerte

- Lea el manual de usuario y todas las advertencias antes de utilizar la bicicleta por primera vez.
- No utilice la bicicleta a menos que sea experto en ciclismo en carretera.
- El producto no es apto para menores de 18 años.

A Safety Warnings on the eBike

- ▶ **Warning labels have been placed on the Bosch eBike System for your protection. Read and follow the instructions of the labels on the product carefully. If a label becomes illegible or comes off, contact your Bosch bicycle dealer to obtain a replacement.** Replacement safety labels are provided by Bosch at no charge.

Operating your Bosch Drive System

Getting Ready to Ride

⚠ WARNING

- ▶ **Read and understand all safety warnings and instructions.** Failure to follow the warnings below could result in death or serious injury.
- ▶ **Protect others from death or serious injury. Prevent unauthorized use.** Always remove the battery from the bicycle when not in use and store in a secure location. Failure to secure your bicycle from unauthorized use can result in death or serious injury to others.

Before your first ride

Check your bicycle owner's manual for important information about the bike components, such as brakes, pedals, gears, shifting equipment, etc.

⚠ WARNING

- ▶ **If you have an impairment or disability such as a visual impairment, hearing impairment, physical impairment, cognitive/language impairment, or a seizure disorder, consult your physician before using this product.**
- ▶ **To reduce the risk of serious injury related to exercise, take the following precautions before use: Do not overexert yourself.** Use of the Bosch Drive System requires varying amounts of physical activity. Consult a doctor before using the device if you have any medical condition or issue that affects your ability to safely perform physical activities, or if you:
 - are or may be pregnant
 - have heart, respiratory, back, joint, or other orthopedic conditions
 - have high blood pressure
 - have difficulty with physical exercise
 - have been instructed to restrict physical activity
- ▶ **Wearing a helmet can prevent a severe head injury. Whenever riding, always wear a helmet that meets or exceeds established safety standards.** Approved helmets in the USA must meet the US Consumer Product Safety Commission standard, so look for a CPSC reference.
- ▶ **Riding a Bosch drive system equipped bicycle capable of speeds up to 28 mph requires proficiency in the activity of road cycling.** This product can allow you to achieve speeds greater than you may be used to achieving without the aid of motor assistance. It also may allow for riding longer periods of time at a higher speed. Higher speed results in higher forces if a crash occurs. Control your bicycle at all times. Your risk of death or serious injury increases with both speed and age. The following is required for safe use of this product:
 - Knowledgeable of laws/safety guidelines/rules of road cycling (riding safely)
 - Ability to operate and control a standard road bike
 - Experienced rider who is actively riding
 - Capable, comfortable and confident riding safely at speeds up to 28 mph
 - Your bike should match your riding style, be properly fit to your body dimensions, and be well maintained.
- ▶ **Do not use this product under the influence of drugs and/or alcohol.**
- ▶ **While riding, do not become distracted by the on-board computer and always remain alert to all riding situations.** The on-board computer should only be used in a stationary and safe start-up position. Use the operating unit to change motor assistance levels while riding.
- ▶ **Check your bicycle manual for the maximum riding weight of your bicycle.** Overloading your bicycle can result in component failure, which can result in death or serious injury. Typically, the maximum riding weight is defined by the sum of the rider's weight plus the weight of any luggage.
- ▶ **In addition to reading and understanding your owner's manuals, be sure you know or refamiliarize yourself with local laws prior to using this product.** Consult your bicycle dealer, local library, bookstore to choose the learning resource best for you.

Intended Use

⚠ WARNING

- ▶ **Understand your bike and its intended use by checking your bicycle owner's manual.** Using your bike the wrong way and for a purpose for which it was not designed can result in death or serious injury.
- ▶ **Using the Bosch Drive System for purposes other than what it was designed for could cause death or serious injury.**

Proficient cyclist (Ages 18+) riding on paved surfaces where the tires are always on the ground; roadway, dedicated bicycle only lanes where permitted by law (not on pedestrian use shared lanes or sidewalks). No towing.

Your Bosch Drive unit is not intended for towing another bicycle. For trailer towing, check your bicycle owner's manual and the trailer owner's manual for towing instructions and towing compatibility.

Safe Start-Up Procedure

⚠ WARNING

- ▶ **Follow the safe start-up procedure below.** Failure to follow the safe start-up procedure can result in death or serious injury.

Preparations

Before starting, check the following:

- Check that you have unplugged the battery charger
- Your battery pack is locked in place (pull on the battery pack to ensure it is locked in place)
- Remove the battery pack key

Start Riding

- Sit in the saddle with both feet touching the ground and both hands on the handlebars.
- Once you are in a stable position, turn on the Bosch on-board computer. The Bosch Drive System will always start-up in the **“OFF”** mode.
- Place both hands on the handlebars and begin pedaling.

Notes on Riding with the eBike System

When does the eBike Drive Unit Operate?

The eBike drive unit assists you when riding, as long as you step on the pedals. Without pedaling, there is no assistance. The motor output always depends on the amount of your pedaling power.

When applying less pedaling power, the assistance or support will be lower than when applying a lot of pedaling power. This applies independent of the assistance level.

The eBike motor assistance automatically switches off at speeds in excess of 28 mph. When the speed falls below 28 mph, the motor assistance is automatically available again.

The eBike can also be ridden as a normal bicycle without assistance at any time, by either switching off the eBike system or setting the assistance level to **“OFF”**. The same applies when the battery pack is empty.

Interaction of the eBike System with the Bicycle Gears

The bicycle gears should be used as with a normal bicycle, even with eBike motor assistance (please follow the operating instructions for your eBike).

Independent of the type of gearing, it is recommended to briefly interrupt the pedaling while changing gears. This makes changing gears easier and reduces the wear on the drive train.

By selecting the right gear, you can increase the speed and range with the same pedaling effort.

Test the operating range of your eBike under different conditions before planning longer and more challenging rides.

- ▶ **Read and understand the “Influences on the Operating Range” section below before planning your ride.**

Influences on the Operating Range

The operating range depends on many factors, such as the following:

- Assistance level,
- Speed,
- Gear-switching behavior,
- Bicycle tires and tire pressure,
- Age and condition of the battery pack,
- Route profile (incline) and road or path conditions (road or path surface),
- Headwind and ambient temperature,
- Weight of the eBike, rider and equipment/luggage.

For this reason, it is not possible to precisely predict the range before or during a trip. General rules:

- For the **same** assistance level of the eBike drive unit: the less power or force that you have to bring about to reach a certain speed (e.g., through optimal use of the gears), the less energy the eBike drive unit will consume, and the greater the range will be for a battery pack charge.
- The **higher** the assistance level under otherwise identical conditions, the shorter the range will be.

Note: Plan your routes so that you can also reach your destination each time without motor assistance.

Transport

⚠ WARNING

- ▶ **If you carry your eBike outside of your car, e.g. on a luggage rack, remove the on-board computer and the eBike battery pack in order to avoid damaging them.** (If the on-board computer cannot be fitted onto a bracket, it is not possible to remove it from the bicycle. In this case, the on-board computer may remain on the bicycle.)
- ▶ **Always remove the battery pack from the bicycle before transporting the bicycle on a vehicle bike rack.** Failure to remove the battery pack when using a vehicle bike rack can lead to death or serious injury. The battery may detach during transport and cause an accident to following vehicles.
- ▶ **Always use an approved and compatible bicycle rack when transporting your eBike. The Bosch Drive System adds weight to the bicycle.** Refer to your bicycle rack manual to be sure your eBike is compatible. Overloading a bike rack can result in death or serious injury.
- ▶ **Use proper lifting techniques because electric bikes are generally heavier than bicycles.**

Ship batteries only when the housings are undamaged. Tape or mask off open contacts and pack up the battery in such a way that it cannot move around in the packaging. Notify your parcel service that the package contains dangerous goods. Please also follow possibly more detailed national regulations. Always check the state and federal regulations before attempting to ship your battery.

In case of questions concerning transport of the battery packs, please contact an authorized Bosch eBike dealer. Bosch eBike dealers can also provide suitable transport packaging.

Maintenance/Cleaning

⚠ WARNING

- ▶ **Your Bosch Drive System components are maintenance-free.** Do not open any of the components. Service should only be carried out at an authorized Bosch eBike dealer. Failure to follow the above warning may result in death or serious injury. Refer to your bicycle manual or component manual for all non-Bosch Drive System components.
- ▶ **Always remove the battery pack before performing any bicycle inspection, maintenance or repair.** Failure to remove the battery pack before performing bicycle inspection, maintenance or repair can lead to serious injury.
- ▶ **If you suspect that something is loose, do not ride your bike.** See your Bosch eBike dealer; only a qualified service provider should perform work on your Bosch Drive System. All nuts, bolts, screws require the correct tightening force. Too little force and the fastener may not hold securely. Too much force and the fastener can stretch, deform or break, or the threads can be stripped. Either way, incorrect tightening force can result in component failure, which can cause you to lose control and fall.
- ▶ **If replacing your battery, only buy a genuine Bosch battery pack from an approved source. See your Bosch eBike dealer for original Bosch parts.**
- ▶ **Always switch the battery pack off when inserting or removing it from the holder.** Never attempt to insert or remove the battery pack while riding the bike.
- ▶ **Do not charge or use your eBike in any area with a potentially explosive atmosphere, such as at a fueling area, or in areas where the air contains chemicals or particles (such as grain, dust, or metal powders).** Obey all signs and follow all instructions.
- ▶ **Do not submerge your eBike components in water, or wash using a pressurized hose.** Your Bosch drive unit is designed to be water tight in regards to rain water and non-pressurized hose washing.
- ▶ **Note down the manufacturer and the number of the key.** In case the keys are lost, please contact an authorized Bosch eBike dealer. Please provide the name of the manufacturer and the number of the key.
- ▶ **Do not paint any components of the Bosch Drive System as this may cause premature failure of the components.**

Careful Handling of the eBike

Please observe the operating and storage temperatures for the eBike components. Protect the drive unit, on-board computer and battery pack against extreme temperatures (e.g., from intense sunlight without adequate ventilation). The components (especially the battery pack) can become damaged because of extreme temperatures.

It is recommended to have your eBike system checked by an expert at least once a year (including mechanical parts and to update the system software).

Please contact an authorized bicycle dealer for service or repairs to the eBike.

After Sale Service and Customer Assistance

In case of questions concerning the eBike system and its components, please contact an authorized Bosch eBike dealer.

Contact data for authorized Bosch eBike dealers can be found at www.bosch-ebike.com

When the battery pack is no longer operative, please contact an authorized Bosch eBike dealer.

Cleaning

- ▶ **Do not submerge your eBike components in water, or wash using a pressurized hose.** Your Bosch drive unit is designed to be water tight in regards to rain water and non-pressurized hose washing.

Keep all components of your eBike clean, especially the battery pack contacts and the corresponding holder contacts.

All components including the drive unit may not be immersed in water or cleaned with a high-pressure cleaner. Keep all components of your eBike clean, especially the battery pack contacts and the corresponding holder contacts. Clean them carefully with a soft, damp cloth (using only mild soap and water).

Battery Recycling Program

General Warnings

Disposal



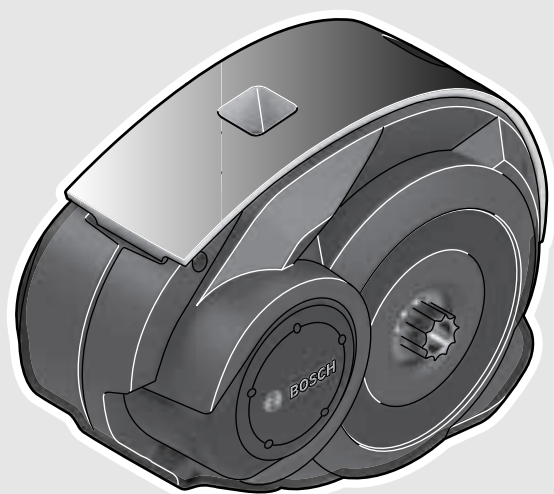
The drive unit, on-board computer (incl. the operating unit), battery pack, speed sensor, accessories and packaging should be sorted for environmentally-friendly recycling.

Do not dispose of eBikes and their components with the household waste!



You may recycle your Bosch battery pack by calling 1-800-822-8837.

Performance Line



Owner's Manual – The Bosch Drive System (28 mph)

Drive Unit

0 275 007 041



BOSCH

en Original instructions



This manual contains important safety, performance and service information. Read and understand it along with the information provided to you by your bicycle manufacturer before using the product, and keep it for reference.



Introduction

Thank You for Purchasing a Bosch Drive System Equipped Bicycle!

Your Bosch eBike system team appreciates having you as a customer and wishes you many years of safe and satisfied use of your bicycle.

General Warnings



Read all safety warnings and all instructions.

Failure to follow the warnings and instructions may result in death or serious injury.

Save all safety warnings and instructions for future reference.

The term “battery pack” used in these operating instructions refers both to standard battery packs (battery packs with holder on the bike frame) and to rack-type battery packs (battery packs with holder in the rear rack/carrier).

About Warnings

This manual contains many “**DANGER**”, “**WARNING**”, and “**CAUTION**” indicators concerning the consequences of failing to use, assemble, maintain, store, inspect and dispose of a Bosch-equipped eBike in a safe manner.

The combination of the safety alert symbol and the word “**DANGER**” indicates a hazardous situation that, if not avoided, **will** result in death or serious injury.

The combination of the safety alert symbol and the word “**WARNING**” indicates a hazardous situation that, if not avoided, **could** result in death or serious injury.

The combination of the safety alert symbol and the word “**CAUTION**” indicates a hazardous situation that, if not avoided, could result in minor or moderate injury.

⚠ WARNING

- ▶ **This manual contains important safety, performance and service information.** Read it before you take the first ride on your new bicycle, and keep it for reference. The manual can also be found online at www.bosch-ebike.com.
- ▶ **This manual is intended to be read together with the separate user manual provided with your bicycle.** Be sure to read all provided documents including labels on the product before your first ride.

- ▶ **Read ALL accompanying manuals before riding the bike for the first time.** Your Bosch Drive System comes with additional manuals and documents provided by the manufacturer of the bicycle and other components. Failure to read and understand safety information can result in death or serious injury.
- ▶ **Take responsibility for your own SAFETY.** If you have any questions or do not understand something, contact your Bosch eBike dealer or the bicycle or component manufacturer.
- ▶ **Some eBike accessories may present a choking hazard to small children.** Keep these accessories away from children.

⚠ CAUTION

- ▶ **The Bosch Drive System adds weight to your bicycle which you may not be used to lifting.** Avoid injury; use proper lifting techniques.

Using Your Operator’s Manual

Graphics

The bicycle shown in this manual may differ slightly from your bicycle, but will be similar enough to help you understand our instructions.

RIGHT-HAND and LEFT-HAND sides are determined by facing in the direction the bicycle will travel when going forward. When you see a broken line (-----), the item referred to is hidden from view.

Operating your Bosch Drive Unit

Safety Rules



Read and understand all safety warnings and instructions. Failure to follow the warnings below could result in death or serious injury.

Save all safety warnings and instructions for future reference.

The term “battery pack” used in these operating instructions refers both to standard battery packs (battery packs with holder on the bike frame) and to rack-type battery packs (battery packs with holder in the rear rack/carrier).

- ▶ **Do not open the drive unit yourself. The drive unit must be repaired only by qualified experts and only with original spare parts.** This will ensure that the safety of the drive unit is maintained. Unauthorized opening of the drive unit will void warranty claims.
- ▶ **All components attached to the drive unit and all other components of the eBike drive (e.g., the chainwheel, chainwheel seat, pedals) may be replaced only with identical components or components specifically approved for your eBike by the bicycle manufacturer.** This protects the drive unit against overload and damage.
- ▶ **Remove the battery pack from the eBike before beginning work (e.g. inspection, repair, assembly, maintenance, work on the chain, etc.) on the eBike, transporting it by car or plane, or storing it.** Unintentional activation of the eBike system poses a risk of injury.
- ▶ **The eBike system can switch itself on when the eBike is pushed backwards.**
- ▶ **Using the walk assistance function is only recommended when pushing the eBike.** There is risk of injury if the wheels of the eBike are not in contact with the ground while using the walk assistance.
- ▶ **Use only original Bosch battery packs approved for your eBike by the manufacturer.** Using other battery packs can lead to injuries and pose a fire hazard. When using other battery packs, the warranty is void and Bosch shall not assume any liability.
- ▶ **Do not make any modifications to your eBike system or attach any other products which would be suitable for increasing the performance of your eBike system.** Unauthorized modification of the system could result in death or serious injury.

- ▶ **Please follow all local, state and federal regulations when registering and using eBikes.**
- ▶ **Read and observe the safety warnings and instructions in all operating instructions of the eBike system and your eBike.**

Product Description and Specifications

Intended Use

The drive unit is intended only for driving your eBike and must not be used for other purposes.

Technical Data

Drive unit		Drive Unit Speed
Article number		0 275 007 041
Rated continuous power	W	250
Torque at drive, max.	Nm	63
Rated voltage	V---	36
Operating temperature	°F	+23... +104
Storage temperature	°F	+14... +122
Degree of protection		IP 54 (dust and splash water protected)
Weight, approx.	lb	8.8

Bike lights ¹⁾		
Voltage, approx. ²⁾³⁾	V---	6/12
Maximum output		
– Front light	W	8.4/17.4
– Rear light	W	0.6/0.6

1) Not possible via the eBike battery pack in all country-specific versions, depending on the statutory regulations

2) The voltage level is preset and can be changed only by the eBike dealer.

3) When changing the bulbs, ensure that the bulbs are also compatible with the Bosch eBike system (ask your eBike dealer) and that the specified voltage matches. Bulbs must be replaced only with bulbs of the same voltage.

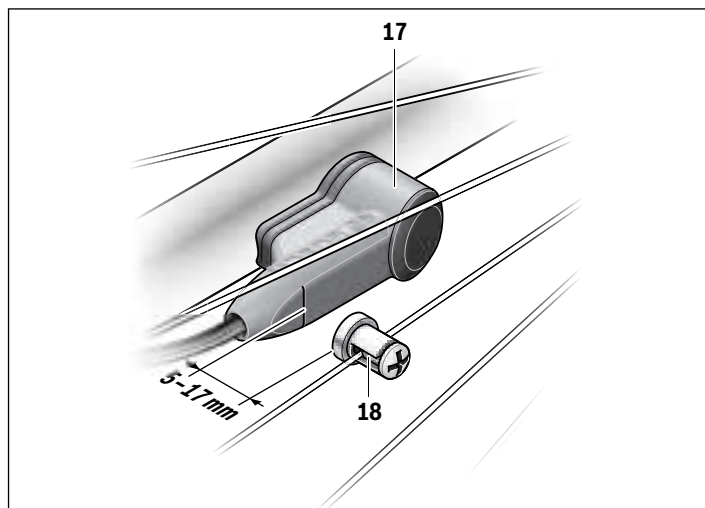
- ▶ **Incorrectly installed bulbs can be destroyed or cause damage to the system.**

Assembly

Inserting and removing the battery pack

To insert or remove the battery pack in/from the eBike, please read and follow the battery pack operating instructions.

Checking the Speed Sensor



17 Speed sensor

18 Spoke magnet for the speed sensor

The speed sensor **17** and its spoke magnet **18** must be attached in such a way that the spoke magnet, after a turn of the wheel, moves past the speed sensor with a clearance of at least 5 mm, yet no more than 17 mm.

Note: If the clearance between the speed sensor **17** and the spoke magnet **18** is too small or too large, or if the speed sensor **17** is not properly connected, the speed indicator **f** will fail, and the eBike drive unit will operate in the emergency mode.

In this case, loosen the screw for the spoke magnet **18** and fasten the spoke magnet to the spoke in such a way that it runs past the mark of the speed sensor at the correct clearance. If the speed is still not being indicated on the speed indicator **f** after this is done, please contact an authorized Bosch eBike dealer.

Operation

Initial Operation

Requirements

The eBike system can only be activated when the following requirements are met:

- A sufficiently charged battery pack is inserted (see battery pack operating instructions).
- The on-board computer is properly inserted in the holder (see on-board computer operating instructions).
- The speed sensor is connected properly (see “Checking the Speed Sensor”, page English – 4).

Switching the eBike System On/Off

Options for **switching on** the eBike system:

- If the on-board computer is already switched on when inserted into the holder, then the eBike system will be switched on automatically.
- When the on-board computer and the eBike battery pack are inserted, briefly press the On/Off button of the on-board computer once.
- When the on-board computer is inserted, press the On/Off button on the battery pack.

Once it is switched on, the eBike system is in the **“OFF”** mode. Select the desired assistance level and take off.

The drive is activated as soon as you put pressure on the pedals. The assistance level depends upon the on-board computer settings.

As soon as you stop pedaling when in normal operation, or as soon as you have reached a speed of 28 mph, the assistance from the eBike drive unit is switched off. The motor assistance is automatically re-activated as soon you start pedaling again and the speed is below 28 mph.

Options for **switching off** the eBike system:

- Press the On/Off button of the on-board computer.
- Switch the eBike battery pack off by using its On/Off button (see battery pack operating instructions.)
- Remove the on-board computer out of its holder.

If the eBike is not moved **and** no button is pressed on the on-board computer for 10 minutes, the eBike system will shut down automatically in order to save energy.

eShift (optional)

eShift is the integration of automatic gear shifting systems into the eBike system. The eShift components are electrically connected to the drive unit by the manufacturer. The operation of automatic gear shifting systems is described in the operating instructions of the on-board computer.

Setting the Assistance Level

With the on-board computer you can set how much the eBike drive assists you while pedaling. The assistance level can be changed at any time while the system is on, even while cycling.

Note: For individual versions, it is possible that the assistance level is preset and cannot be changed. It is also possible that fewer assistance levels are available for selection than listed here.

The following assistance levels (max.) are available:

- **“OFF”**: The motor assistance is switched off and the eBike can be moved by pedaling. The walk assistance cannot be activated in this assistance level.
- **“ECO”**: Effective assistance at maximum efficiency for maximum cruising range
- **“TOUR”**: Uniform assistance, for touring with long cruising range
- **“SPORT”**: Powerful assistance for sporty off-road riding, as well as for urban traffic
- **“TURBO”**: Maximum assistance, supporting the highest speed for sporty riding

The selected motor output appears on the display of the on-board computer. The maximum motor output depends on the selected assistance level.

Assistance Level	Assistance Factor* (Derailleur)
“ECO”	55 %
“TOUR”	120 %
“SPORT”	190 %
“TURBO”	275 %

* The motor output can vary for individual versions.

Once it is switched on, the eBike system is in the **“OFF”** mode.

Switching the Walk Assistance On/Off

The walk assistance can make it easier for you to push the eBike. The speed of this function depends on the selected gear and can reach a maximum of 3.7 mph. The lower the selected gear, the lower the speed of the walk assistance function (at full capacity).

- ▶ **Using the walk assistance function is only recommended when pushing the eBike.** There is risk of injury if the wheels of the eBike are not in contact with the ground while using the walk assistance.

To **activate** the walk assistance function, briefly press button **“WALK”** on your on-board computer. After activation, press button **“+”** within 3 s and keep it pressed. The eBike drive is switched on.

Note: The walk assistance cannot be activated in the **“OFF”** assistance level.

The walk assistance is **switched off** as soon as one of the following occurs:

- you release the button **“+”**,
- the wheels of the eBike are stopped (e.g. by actuating the brakes or impacting against an obstacle),
- the speed exceeds 3.7 mph.

Note: On some systems the walk assistance function can be started directly by pressing the **“WALK”** button.

Switching bike lights On/Off

On the version which has bike lights powered by the eBike system, the front and rear lights can be switched on and off at the same time via the on-board computer.

Maintenance/Cleaning

⚠ WARNING

- ▶ **Your Bosch Drive System components are maintenance-free.** Do not open any of the components. Service should only be carried out at an authorized Bosch eBike dealer. Failure to follow the above warning may result in death or serious injury. Refer to your bicycle manual or component manual for all non-Bosch Drive System components.
- ▶ **Always remove the battery pack before performing any bicycle inspection, maintenance or repair.** Failure to remove the battery pack before performing bicycle inspection, maintenance or repair can lead to serious injury.
- ▶ **If you suspect that something is loose, do not ride your bike.** See your Bosch eBike dealer; only a qualified service provider should perform work on your Bosch Drive System. All nuts, bolts, screws require the correct tightening force. Too little force and the fastener may not hold securely. Too much force and the fastener can stretch, deform or break, or the threads can be stripped. Either way, incorrect tightening force can result in component failure, which can cause you to lose control and fall.
- ▶ **If replacing your battery, only buy a genuine Bosch battery pack from an approved source. See your Bosch eBike dealer for original Bosch parts.**
- ▶ **Always switch the battery pack off when inserting or removing it from the holder.** Never attempt to insert or remove the battery pack while riding the bike.
- ▶ **Do not charge or use your eBike in any area with a potentially explosive atmosphere, such as at a fueling area, or in areas where the air contains chemicals or particles (such as grain, dust, or metal powders).** Obey all signs and follow all instructions.
- ▶ **Do not submerge your eBike components in water, or wash using a pressurized hose.** Your Bosch drive unit is designed to be water tight in regards to rain water and non-pressurized hose washing.
- ▶ **Note down the manufacturer and the number of the key.** In case the keys are lost, please contact an authorized Bosch eBike dealer. Please provide the name of the manufacturer and the number of the key.
- ▶ **Do not paint any components of the Bosch Drive System as this may cause premature failure of the components.**

Careful Handling of the eBike

Please observe the operating and storage temperatures for the eBike components. Protect the drive unit, on-board computer and battery pack against extreme temperatures (e.g., from intense sunlight without adequate ventilation). The components (especially the battery pack) can become damaged because of extreme temperatures.

It is recommended to have your eBike system checked by an expert at least once a year (including mechanical parts and to update the system software).

Please contact an authorized bicycle dealer for service or repairs to the eBike.

After Sale Service and Customer Assistance

In case of questions concerning the eBike system and its components, please contact an authorized Bosch eBike dealer.

Contact data for authorized Bosch eBike dealers can be found at www.bosch-ebike.com

Cleaning

- ▶ **Do not submerge your eBike components in water, or wash using a pressurized hose.** Your Bosch drive unit is designed to be water tight in regards to rain water and non-pressurized hose washing.

Keep all components of your eBike clean, especially the battery pack contacts and the corresponding holder contacts.

All components including the drive unit may not be immersed in water or cleaned with a high-pressure cleaner. Keep all components of your eBike clean, especially the battery pack contacts and the corresponding holder contacts. Clean them carefully with a soft, damp cloth (using only mild soap and water).

Performance Line



Owner's Manual – The Bosch Drive System Battery

BBS261, BBS266, BBS271, BBS276, BBR261, BBR266, BBR271, BBR276, BBP280, BBP281



BOSCH

en Original instructions



This manual contains important safety, performance and service information. Read and understand it along with the information provided to you by your bicycle manufacturer before using the product, and keep it for reference.



Introduction

Thank You for Purchasing a Bosch Drive System Equipped Bicycle!

Your Bosch eBike system team appreciates having you as a customer and wishes you many years of safe and satisfied use of your bicycle.

General Warnings



Read all safety warnings and all instructions.

Failure to follow the warnings and instructions may result in death or serious injury.

Save all safety warnings and instructions for future reference.

The term “battery pack” used in these operating instructions refers to all original Bosch eBike battery packs.

About Warnings

This manual contains many “**DANGER**”, “**WARNING**”, and “**CAUTION**” indicators concerning the consequences of failing to use, assemble, maintain, store, inspect and dispose of a Bosch-equipped eBike in a safe manner.

The combination of the safety alert symbol and the word “**DANGER**” indicates a hazardous situation that, if not avoided, **will** result in death or serious injury.

The combination of the safety alert symbol and the word “**WARNING**” indicates a hazardous situation that, if not avoided, **could** result in death or serious injury.

The combination of the safety alert symbol and the word “**CAUTION**” indicates a hazardous situation that, if not avoided, could result in minor or moderate injury.

▲ WARNING

- ▶ **This manual contains important safety, performance and service information.** Read it before you take the first ride on your new bicycle, and keep it for reference. The manual can also be found online at www.bosch-ebike.com.
- ▶ **This manual is intended to be read together with the separate user manual provided with your bicycle.** Be sure to read all provided documents including labels on the product before your first ride.
- ▶ **Read ALL accompanying manuals before riding the bike for the first time.** Your Bosch Drive System comes with additional manuals and documents provided by the manufacturer of the bicycle and other components. Failure to read and understand safety information can result in death or serious injury.

- ▶ **Take responsibility for your own SAFETY.** If you have any questions or do not understand something, contact your Bosch eBike dealer or the bicycle or component manufacturer.
- ▶ **Some eBike accessories may present a choking hazard to small children.** Keep these accessories away from children.

▲ CAUTION

- ▶ **The Bosch Drive System adds weight to your bicycle which you may not be used to lifting.** Avoid injury; use proper lifting techniques.

Using Your Operator’s Manual

In addition to the functions shown here, changes to software relating to troubleshooting and functional enhancements may be introduced at any time.

Graphics

The bicycle shown in this manual may differ slightly from your bicycle, but will be similar enough to help you understand our instructions.

RIGHT-HAND and LEFT-HAND sides are determined by facing in the direction the bicycle will travel when going forward. When you see a broken line (-----), the item referred to is hidden from view.

On-Product Warning Labels

A



⚠ WARNING No User Serviceable Parts, Do NOT Open

- Read and understand owner's manual before using



⚠ WARNING Avoid Serious Injury or Death

- Remove battery when using vehicle bike rack!
- Remove battery before performing bike inspection \ repair!



⚠ DANGER Explosion

- Do NOT expose above 140°F (60°C).
- Do NOT crush or puncture!



B



Robert Bosch GmbH
D-72703 Reutlingen
www.bosch-ebike.com

Max. charge 42V 6A • Max. discharge 20A

⚠ WARNING To reduce the risk of injury, explosion, or fire, user must read instruction manual. • Do not crush, puncture, disassemble, short terminals, or dispose in fire. • Do not use battery once it has been impacted, sustained water damage or visibly damaged. • Charge battery only with Bosch eBike chargers.

⚠ AVERTISSEMENT L'utilisateur doit lire le mode d'emploi pour réduire le risque de blessure, d'explosion ou d'incendie. • Ne pas écraser, perforer, démonter, court-circuiter les bornes ou jeter dans un feu. • Ne pas réutiliser la pile si elle a subi un choc, des dégâts causés par l'eau ou d'autres dommages visibles. • Ne charger la pile qu'avec un chargeur Bosch eBike.

⚠ ADVERTENCIA Para reducir el riesgo de lesiones, explosión o incendio, el usuario debe leer el manual de instrucciones. • No aplastar, perforar, desmontar, cortocircuitar los terminales ni desechar en un fuego. • No usar la batería una vez que haya recibido algún golpe, haya sufrido daños por agua o esté visiblemente dañada. • Cargar la batería solamente con cargadores Bosch eBike.

A Safety warnings, "PowerPack"

B Safety warnings, "PowerTube"

- ▶ **Warning labels have been placed on the Bosch eBike System for your protection. Read and follow the instructions of the labels on the product carefully. If a label becomes illegible or comes off, contact your Bosch bicycle dealer to obtain a replacement.** Replacement safety labels are provided by Bosch at no charge.

Handling the lithium-ion battery pack

Safety warnings for Bosch eBike batteries



Read and understand all safety warnings and instructions. Failure to follow the warnings below could result in death or serious injury.

Save all safety warnings and instructions for future reference.

The term “battery pack” used in these operating instructions refers to all original Bosch eBike battery packs.

⚠ DANGER

- ▶ **Do not puncture or crush the battery pack. Do not subject the battery pack to mechanical impacts or modify it in any way.** Do not use the battery pack if it shows visible damage. Otherwise, there is the risk of a fire or an explosion, which can cause death or serious injury.



Protect the battery pack against heat (e.g., temperature > 140 °F), fire and immersing into water. Otherwise, there is the risk of an explosion.

⚠ WARNING

- ▶ **Use only original Bosch battery packs approved for your eBike by the manufacturer and purchased from a trusted source.** Use of non-approved or counterfeit battery packs can lead to death or serious injury.
- ▶ **Remove the battery pack from the eBike before beginning work (e.g. inspection, repair, assembly, maintenance, work on the chain, etc.) on the eBike, transporting it by car or plane, or storing it.** Unintentional activation of the eBike system poses a risk of injury.
- ▶ **Do not open the battery pack.** There is a risk of a short circuit. Opening the battery pack voids any and all warranty claims.

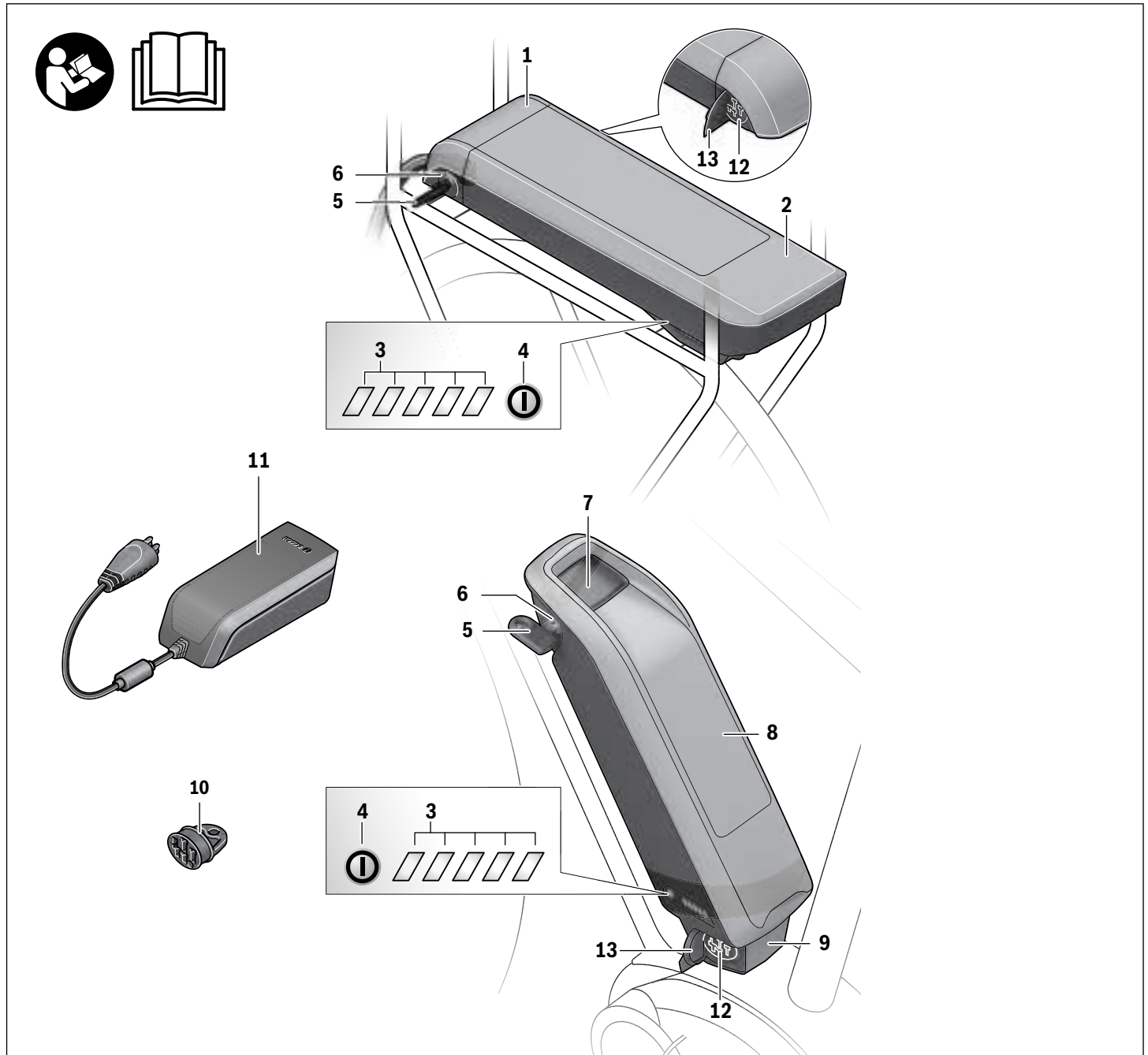
- ▶ **If it is not being used, keep the battery pack away from paper clips, coins, keys, nails, screws or other small metal objects that can make a connection from one terminal to another.** Shorting the battery pack terminals together may cause burns or a fire. For any damage caused by shorting the terminals in this way, any and all warranty claims through Bosch shall be invalid.
- ▶ **Avoid mechanical loads and exposure to high temperatures.** These can damage the battery cells and cause the flammable contents to leak out.
- ▶ **Do not place the charger or battery pack near flammable materials. Charge battery packs only when dry and in a fireproof area.** There is a risk of fire due to the heat generated during charging.
- ▶ **The eBike battery must not be left unattended while charging.**
- ▶ **If it is abused, then liquid may be ejected from the battery pack. Avoid contact. If contact accidentally occurs, flush with water. If liquid contacts eyes, additionally seek medical help.** Liquid ejected from the battery pack may cause skin irritations or burns.
- ▶ **Battery packs must not be subjected to mechanical impacts.** There is a risk that the battery pack will be damaged causing vapors to escape. The vapors can irritate the respiratory system. Provide for fresh air and seek medical attention in case of complaints.
- ▶ **The battery may give off fumes if it becomes damaged or is used incorrectly. Provide a fresh air supply and seek medical advice in the event of pain or discomfort of being exposed to these fumes.** These fumes may irritate the respiratory tract.
- ▶ **Charge the battery pack only with original Bosch battery chargers.** When using non-original Bosch chargers, the risk of fire cannot be excluded.
- ▶ **Use the battery pack only together with eBikes that have an original Bosch eBike drive system.** This is the only way to protect the battery pack against dangerous overload.

- ▶ **Use only original Bosch battery packs approved for your eBike by the manufacturer.** Using other battery packs can lead to injuries and pose a fire hazard. When using other battery packs, the warranty is void and Bosch shall not assume any liability.
- ▶ **Do not use the rack-type battery pack as a handle.** Lifting the eBike up by the battery pack can cause damage to the battery pack.
- ▶ **Read and observe the safety warnings and instructions in all operating instructions of the eBike system and your eBike.**
- ▶ **Keep the battery pack out of reach of children.**

The safety of both our products and customers is important to us. Our battery packs are lithium-ion batteries which have been developed and manufactured in accordance with the latest technology. We comply with or exceed the requirements of all relevant safety standards. When charged, these lithium-ion batteries contain a high level of energy. In the case of a fault (which may not be detectable from the outside), lithium-ion batteries can, in very rare cases and under unfavourable conditions, catch fire.

When the eBike is connected to the Bosch DiagnosticTool, data are sent to Bosch eBike Systems (Robert Bosch GmbH) for purposes of product improvement for the use of Bosch components (including temperature, cell tension, etc.). More detailed information is provided on the Bosch eBike website www.bosch-ebike.com.

Product Description and Specifications

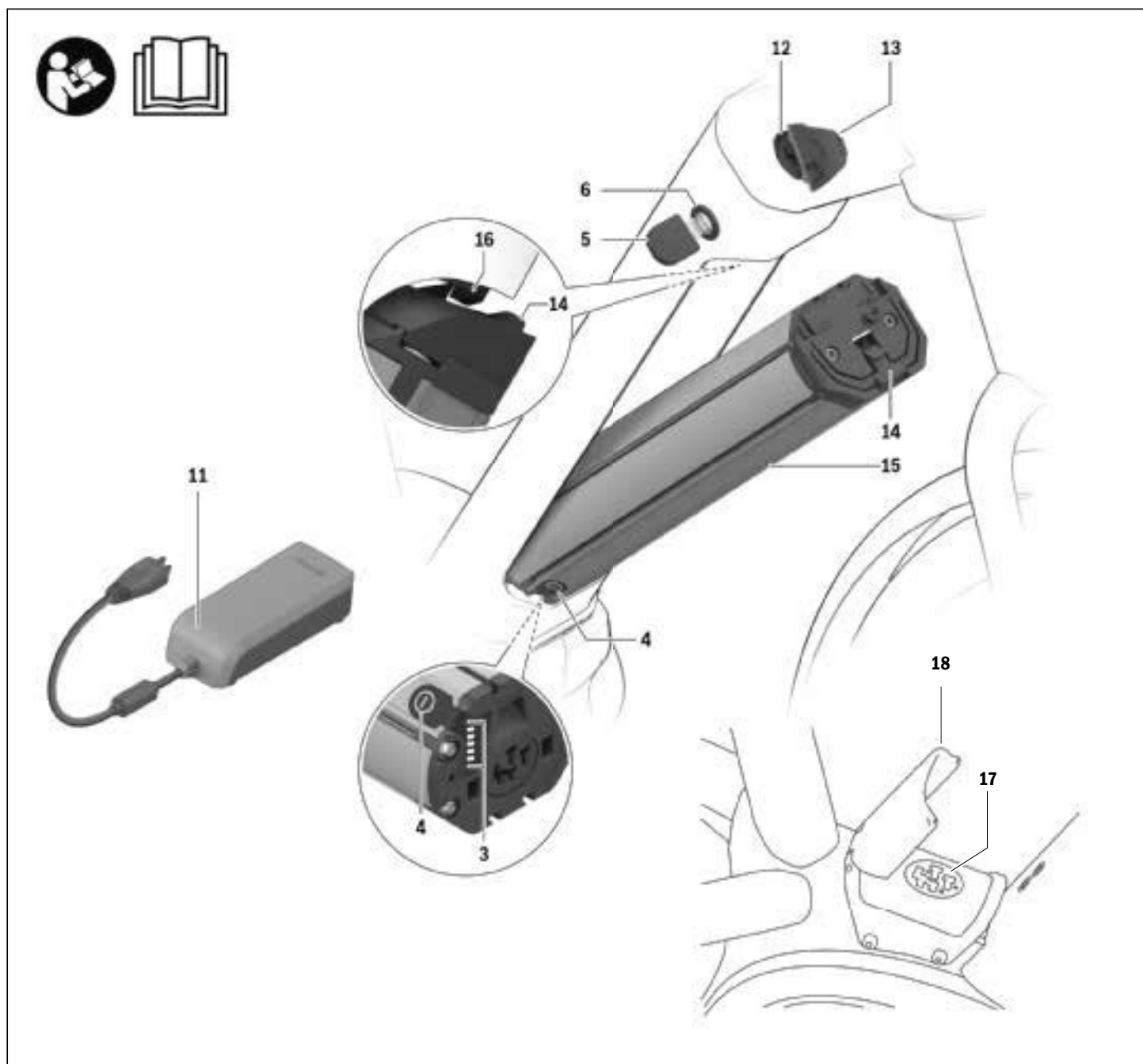


Product Features PowerPack

All representations of bike components, with the exception of the battery packs and their holders, are schematic and can deviate from your eBike.

- 1 Holder for the rack-type battery pack
- 2 Rack-type battery pack
- 3 Operation and charge-control indicator
- 4 On/Off button
- 5 Key for the battery pack lock

- 6 Battery pack lock
- 7 Upper holder for the standard battery pack
- 8 Standard battery pack
- 9 Bottom holder for the standard battery pack
- 10 Cover lid (Supplied only on eBikes with 2 battery packs)
- 11 Battery charger
- 12 Socket for charge connector
- 13 Charge socket cover



Product Features PowerTube

All representations of bike components, with the exception of the battery packs and their holders, are schematic and can deviate from your eBike.

- 3** Operation and charge-control indicator
- 4** On/Off button
- 5** Key for the battery pack lock
- 6** Battery pack lock

- 11** Battery charger
- 12** Socket for charge connector
- 13** Charge socket cover
- 14** PowerTube safety restraint
- 15** PowerTube battery
- 16** PowerTube safety hook
- 17** Socket for charge connector
- 18** Charge socket cover

Technical Data

Lithium-ion battery pack		PowerPack 400	PowerPack 500	PowerTube 500
Product code		BBS261/BBS266 ^{S)} BBR261/BBR266 ^{R)}	BBS271/BBS276 ^{S)} BBR271/BBR276 ^{R)}	BBP280 – horizontal BBP281 – vertical
Rated voltage	V=	36	36	36
Rated capacity	Ah	11	13.4	13.4
Energy	Wh	400	500	500
Operating temperature	°F	+23...+104	+23...+104	+23...+104
Storage temperature	°F	+14...+140	+14...+140	+14...+140
Permitted charging temperature range	°F	+32...+104	+32...+104	+32...+104
Weight, approx.	lb	5.5/5.7	5.7/6.0	6.2
Degree of protection		IP 54 (dust and splash water protected)	IP 54 (dust and splash water protected)	IP 54 (dust and splash water protected)

S) Standard battery pack

R) Rack-type battery pack

This device is in compliance with Part 15 of the FCC Rules. Operation is subject to the following two conditions:

- (1) This device must not cause harmful interference, and
- (2) this device must accept any interference that is received, including interference that may cause undesired operation.

This device is in compliance with CAN ICES-3(B)/NM B-3(B).

Assembly

- ▶ **Put the battery pack down only on clean surfaces.** In particular, avoid getting the charge socket and the contacts dirty, e. g., with sand or soil.

Checking the Battery Pack Before Using for the First Time

Check the battery pack before charging it or using it with your eBike for the first time.

To do this, press the On/Off button **4** to switch on the battery pack. If no LED for the charge-control indicator **3** lights up, then the battery pack may be damaged.

When at least one of the LEDs, but not all, for the charge-control indicator **3** is lit, then fully charge the battery pack before using it for the first time.

- ▶ **Do not attempt to charge or use a damaged battery pack.** Please contact an authorized Bosch eBike dealer.

Charging the Battery Pack

- ▶ **Only use the Bosch charger provided with your eBike or an identical original Bosch charger.** Only this charger is matched to the lithium-ion battery pack used in your eBike.

Note: The battery pack is supplied partially charged. To ensure full battery pack capacity, completely charge the battery pack in the charger before using it for the first time. To charge the battery pack, read and follow the operating instructions for the charger.

The battery can be charged at any level of charge. Interrupting the charging process does not damage the battery pack.

The battery pack is equipped with a temperature control indicator, which enables charging only within a temperature range between 32 °F and 104 °F.



When the battery pack is not within the charging temperature range, three LEDs of the charge-control indicator **3** flash. Disconnect the battery pack from the charger until its temperature has adjusted.

- ▶ **CAUTION: Do not connect the battery pack to the charger until it has reached the permissible charging temperature.**

Charge-control Indicator

When the battery pack is switched on, the five green LEDs for the charge-control indicator **3** indicate the charge condition of the battery pack.

Here, each LED indicates approx. 20 % capacity. When the battery pack is completely charged, all five LEDs light up.

The charge-control for the switched on battery pack is also indicated on the display for the on-board computer. Read and follow the operating instructions for the drive unit and the on-board computer.

When the capacity of the battery pack is below 5 %, all LEDs for the charge-control indicator **3** on the battery pack turn off; however, the on-board computer does provide an additional indicator function.

After charging, disconnect the battery from the charger and the charger from the network.

Using Two Battery Packs for One eBike (optional)

An eBike can also be equipped with two battery packs by the manufacturer. In this case, one of the charge sockets is not accessible or is sealed by the eBike manufacturer with a sealing cap. Charge the battery packs only at the accessible charge socket.

- ▶ **Never open charge sockets that have been sealed by the manufacturer.** Charging at a previously sealed charge socket can lead to irreparable damage.

If you have an eBike that is designed for two battery packs and you want to use it with only one battery pack, cover off the contacts of the unused socket using the cover lid **10** provided because otherwise the open contacts pose a risk of short-circuiting.

Charging with Two Battery Packs Inserted

If two battery packs are mounted on one eBike, both battery packs can be charged using the unsealed connection. First, the two batteries are charged one after the other up to 80 – 90 %, and then they are fully charged in parallel (The LED of each battery will flash).

Both battery packs are discharged alternately during operation.

If you take the battery packs out of the holders, you can charge each battery pack individually.

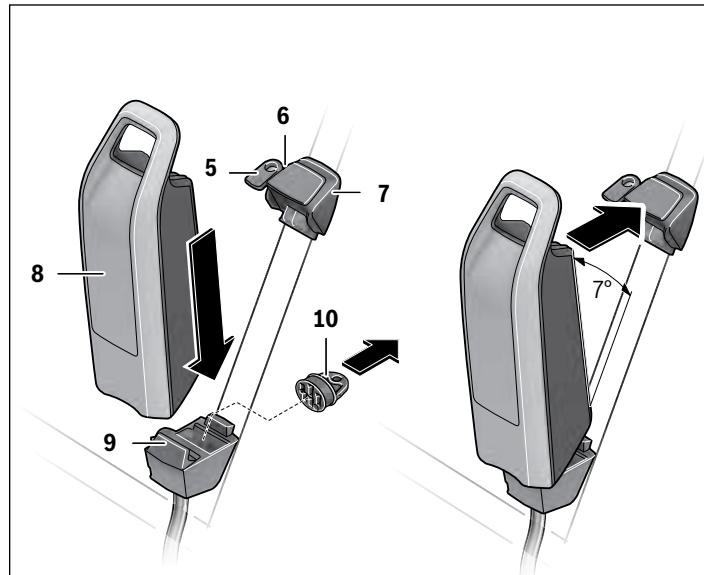
Charging with One Battery Pack Inserted

If only one battery pack is inserted, then you can charge only the battery pack that has the accessible charge socket on the bike. You can charge the battery pack with the sealed charge socket only when you take the battery pack out of the holder.

Inserting and removing the battery pack

- ▶ **Always switch off the battery pack and the eBike system when you insert the battery pack into the holder or when you take it out of the holder.**

Inserting and removing a standard battery



In order for the battery pack to be inserted, the key **5** must be inserted into the lock **6** and the lock must be unlocked.

To **insert the standard battery pack 8**, place it with the contacts on the lower holder **9** on the eBike (the battery pack can be inclined up to 7° to the frame). Tilt it into the upper holder **7** until it engages.

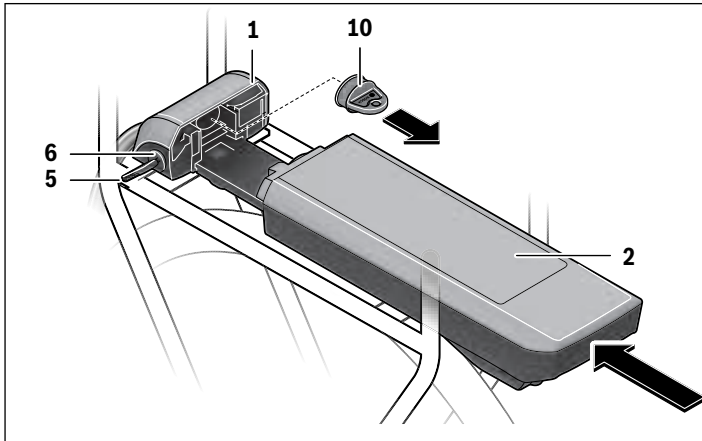
- ▶ **Always check that the battery pack is locked in place.** To do this, pull on the battery pack (after the key has been removed).

Check if the battery pack is tightly seated. Always lock the battery pack with lock **6**; otherwise the lock can open and the battery pack could fall out of the holder.

After locking, always remove the key **5** from the lock **6**. This prevents the key from falling out and the battery pack from being removed by unauthorized persons when the eBike is parked.

To **remove the standard battery pack 8**, switch it off and unlock the lock with the key **5**. Tilt the battery pack out of the upper holder **7** and pull it out of the lower holder **9**.

Inserting and removing a rack battery



In order for the battery pack to be inserted, the key **5** must be inserted into the lock **6** and the lock must be unlocked.

To **insert the rack-type battery pack 2**, slide it with the contacts facing ahead until it engages in the holder **1** of the rear rack/carrier.

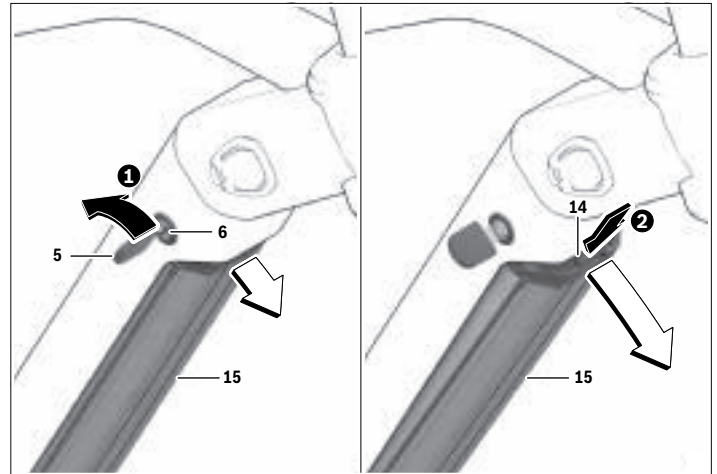
► **Always check that the battery pack is locked in place.** To do this, pull on the battery pack (after the key has been removed).

Check if the battery pack is tightly seated. Always lock the battery pack with lock **6**; otherwise the lock can open and the battery pack could fall out of the holder.

After locking, always remove the key **5** from the lock **6**. This prevents the key from falling out and the battery pack from being removed by unauthorized persons when the eBike is parked.

To **remove the rack-type battery pack 2**, switch it off and unlock the lock with the key **5**. Pull the battery pack out of the holder **1**.

Removing a PowerTube battery

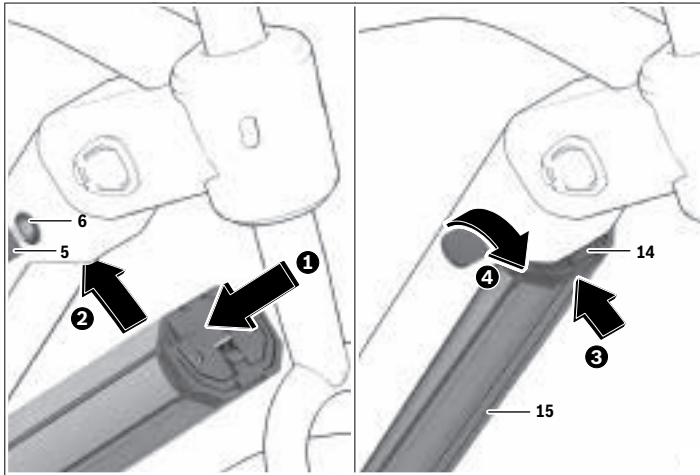


❶ To remove the PowerTube battery, **15** open the lock **6** using the key **5**. The battery will be unlocked and fall into the safety restraint **14**.

❷ Press on the safety restraint from above. The PowerTube battery will be unlocked completely and fall into your hand. Pull the battery out of the frame.

Note: As a result of **varying** designs, the PowerTube battery may have to be inserted and removed using a different method. In this case, consult the bicycle documentation provided by your bicycle manufacturer.

Inserting a PowerTube battery



In order for the battery pack to be inserted, the key **5** must be inserted into the lock **6** and the lock must be unlocked.

- ➊ To insert the PowerTube battery, **15** place it so that its contacts are in the lower bracket of the frame.
 - ➋ Push the battery upwards until it is held by the safety restraint **14**.
 - ➌ Press the battery upwards until you hear it engage. Check that the battery is secure.
 - ➍ Always secure the battery by closing the lock **6** – otherwise, the lock may open and the battery may fall out of the bracket.
- ▶ **Always check that the battery pack is locked in place.** To do this, pull on the battery pack (after the key has been removed).

After locking, always remove the key **5** from the lock **6**. This prevents the key from falling out and the battery pack from being removed by unauthorized persons when the eBike is parked.

Operation

Initial Operation

- ▶ **Use only original Bosch battery packs approved for your eBike by the manufacturer and purchased from a trusted source.** Use of non-approved or counterfeit battery packs can lead to death or serious injury.

Switching On and Off

Switching the battery pack on is one of the ways of starting the eBike system. Read and follow the operating instructions for the drive unit and the on-board computer.

Before switching on the battery pack or the eBike system, check that the lock **6** is locked.

To **switch on** the battery pack, press the On/Off button **4**. The LEDs for indicator **3** light up and, at the same time, indicate the charge condition.

- ▶ **Always check that the battery pack is locked in place.** To do this, pull on the battery pack (after the key has been removed).

Note: When the battery pack capacity is below 5 %, none of the LEDs for charge-control indicator **3** will light up. Only the on-board computer will indicate if the eBike system is switched on.

To **switch off** the battery pack, press the On/Off button **4** again. The LEDs for indicator **3** go out. This also switches off the eBike system.

When no power output from the eBike drive unit is requested for approx. 10 minutes (e.g., because the eBike is parked) and no button for the drive on-board computer or operating unit is pressed, then the eBike system, and thus the battery pack, automatically switches off to save energy. The battery pack is protected against deep discharging, overcharging, overheating and short-circuiting by the “Electronic Cell Protection (ECP)”. In case of hazardous situations, a protective circuit automatically switches off the battery pack.



When a defect in the battery pack is detected, two LEDs for the charge-control indicator **3** flash. In this case, please contact an authorized Bosch eBike dealer.

Transport

⚠ WARNING

- ▶ **Always remove the battery pack from the bicycle before transporting the bicycle on a vehicle bike rack.** Failure to remove the battery pack when using a vehicle bike rack can lead to death or serious injury. The battery may detach during transport and cause an accident to following vehicles.
- ▶ **Always use an approved and compatible bicycle rack when transporting your eBike. The Bosch Drive System adds weight to the bicycle.** Refer to your bicycle rack manual to be sure your eBike is compatible. Overloading a bike rack can result in death or serious injury.
- ▶ **Use proper lifting techniques because electric bikes are generally heavier than bicycles.**

Ship batteries only when the housings are undamaged. Tape or mask off open contacts and pack up the battery in such a way that it cannot move around in the packaging. Notify your parcel service that the package contains dangerous goods. Please also follow possibly more detailed national regulations. Always check the state and federal regulations before attempting to ship your battery.

In case of questions concerning transport of the battery packs, please contact an authorized Bosch eBike dealer. Bosch eBike dealers can also provide suitable transport packaging.

Maintenance/Cleaning

⚠ WARNING

- ▶ **Do not open any of the components. Service should only be carried out at an authorized Bosch eBike dealer.** Failure to follow the above warning may result in death or serious injury. Refer to your bicycle manual or component manual for all non-Bosch Drive System components.
- ▶ **Always remove the battery pack before performing any bicycle inspection, maintenance or repair.** Failure to remove the battery pack before performing bicycle inspection, maintenance or repair can lead to serious injury.
- ▶ **If replacing your battery, only buy a genuine Bosch battery pack from an approved source. See your Bosch eBike dealer for original Bosch parts.**

- ▶ **Always switch the battery pack off when inserting or removing it from the holder.** Never attempt to insert or remove the battery pack while riding the bike.
- ▶ **Do not charge or use your eBike in any area with a potentially explosive atmosphere, such as at a fueling area, or in areas where the air contains chemicals or particles (such as grain, dust, or metal powders).** Obey all signs and follow all instructions.
- ▶ **Do not submerge your eBike components in water, or wash with pressurized hose.** Your Bosch battery is designed to be water tight to rain water or non-pressure hose washing.
- ▶ **Note down the manufacturer and the number of the key.** In case the keys are lost, please contact an authorized Bosch eBike dealer. Please provide the name of the manufacturer and the number of the key.
- ▶ **Do not paint any components of the Bosch Drive System as this may cause premature failure of the components.**

After Sale Service and Customer Assistance

In case of questions concerning the eBike system and its components, please contact an authorized Bosch eBike dealer.

Contact data for authorized Bosch eBike dealers can be found at www.bosch-ebike.com

When the battery pack is no longer operative, please contact an authorized Bosch eBike dealer.

Cleaning

- ▶ **Do not submerge your eBike components in water, or wash with pressurized hose.** Your Bosch battery is designed to be water tight to rain water or non-pressure hose washing.

Keep all components of your eBike clean, especially the battery pack contacts and the corresponding holder contacts.

All components including the drive unit may not be immersed in water or cleaned with a high-pressure cleaner. Clean them carefully with a soft, damp cloth (using only mild soap and water).

Storing

Notes for Optimum Handling of the Battery Pack

The battery pack life can be extended if properly maintained and especially if operated and stored at the right temperatures.

With increasing age, however, the battery pack capacity will diminish, even if properly maintained.

A significantly reduced operating period after charging indicates that the battery pack is worn out and must be replaced. You can replace it yourself by purchasing a genuine Bosch PowerPack from an authorized Bosch eBike dealer.

Recharging the Battery Pack Before and During Storage

When not using the battery pack for a longer period (>3 months), store it at approx. 30 % to 60 % charge status (2 to 3 LEDs lit on the charge-control indicator **3**).

Check the charge condition after 6 months. When only one LED on the charge-control indicator **3** lights up, recharge the battery pack again to approx. 30 % to 60 %.

Note: When the battery pack is stored discharged (empty) for longer periods, it can become damaged despite the low self-discharging feature, and the battery pack capacity may be strongly reduced.

It is not recommended to have the battery pack connected permanently to the charger.

Storage Conditions

Store the battery pack in a dry, well-ventilated location. Protect the battery pack against moisture and water. Under unfavorable weather conditions, it is recommended e. g., to remove the battery pack from the eBike and store it in an enclosed location until it is used again.

Store the eBike batteries in the following locations:




- in a room with a smoke alarm
- away from combustible or easily flammable objects
- away from heat sources

Store the batteries at temperatures between 32 °F and 68 °F. Never store them at temperatures below 14 °F or above 140 °F. To ensure that the lifetime is as long as possible, storage at approx. 68 °F (room temperature) is recommended.

Make sure that the maximum storage temperature is not exceeded. As an example, store the battery pack out of direct sunlight and do not leave it in a vehicle during the summer.

It is recommended to not store the battery pack on the bike.

Troubleshooting

Cause	Corrective Action
 <p>Battery pack defective</p>	<p>Two LEDs of the battery pack flashing</p> <p>Contact an authorized bicycle dealer.</p>
 <p>Battery pack too warm or too cold</p>	<p>Three LEDs of the battery pack flashing</p> <p>Disconnect the battery from the charger until the charging temperature range has been reached.</p> <p>Do not connect the battery pack to the charger until it has reached the permissible charging temperature.</p>
 <p>The charger is not charging.</p>	<p>No LED flashes (one or more LEDs light up continuously depending on the charging state of the eBike battery pack).</p> <p>Contact an authorized bicycle dealer.</p>
<p>No charging procedure possible (no indication on the battery pack)</p>	
<p>Plug not inserted correctly</p>	<p>Check all plug connections</p>
<p>Contacts of battery pack dirty</p>	<p>Carefully clean the contacts on the battery pack.</p>
<p>Socket outlet, cable or charger defective</p>	<p>Check household voltage; have charger checked through bicycle dealer</p>
<p>Battery pack defective</p>	<p>Contact an authorized bicycle dealer.</p>

Battery Recycling Program

General Warnings

Disposal



The drive unit, on-board computer (incl. the operating unit), battery pack, speed sensor, accessories and packaging should be sorted for environmentally-friendly recycling.

Do not dispose of eBikes and their components with the household waste!

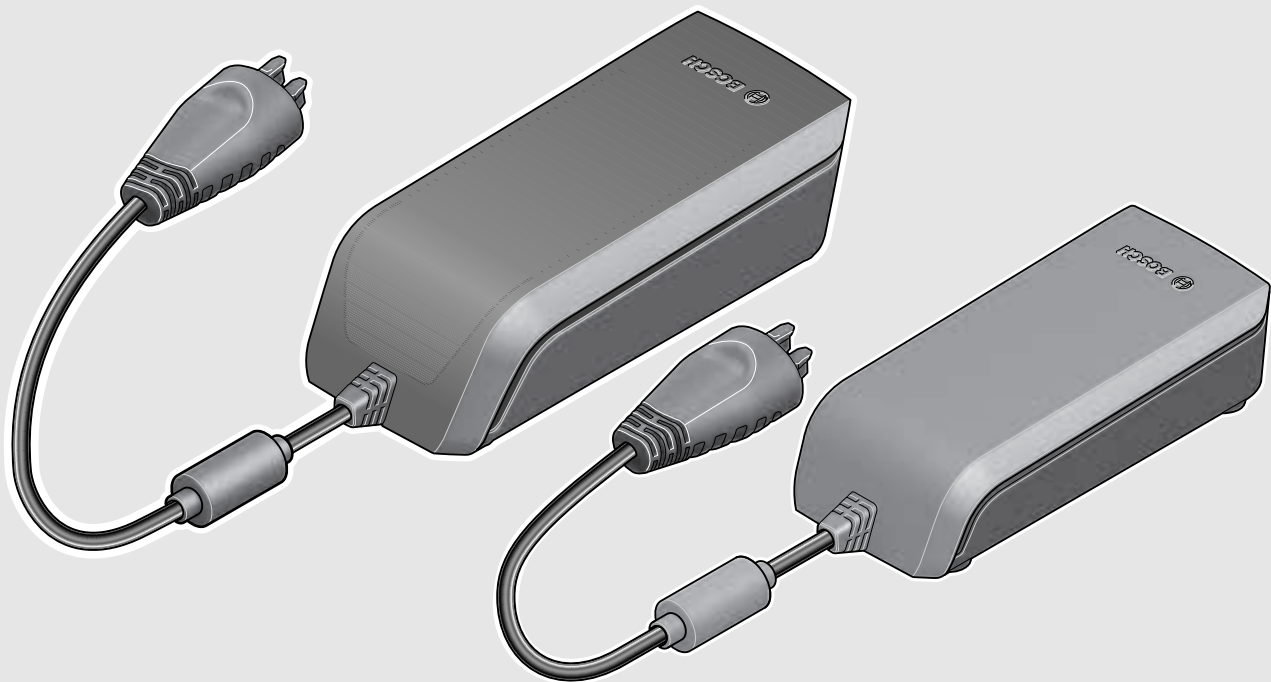
Tape or mask off the contact surfaces of the battery pack's terminals with adhesive tape before disposing of battery packs.

Do not touch heavily damaged eBike batteries with your bare hands. Electrolyte may escape and cause skin irritation. Store the battery in a safe location outdoors. Cover the pins if necessary and inform your dealer. They will help you to dispose of it properly.



You may recycle your Bosch battery pack by calling 1-800-822-8837.

Performance Line



Owner's Manual – The Bosch Drive System Charger

BCS210: 0 275 007 906 | BCS230: 0 275 007 915



BOSCH

en Original instructions



This manual contains important safety, performance and service information. Read and understand it along with the information provided to you by your bicycle manufacturer before using the product, and keep it for reference.



Introduction

Thank You for Purchasing a Bosch Drive System Equipped Bicycle!

Your Bosch eBike system team appreciates having you as a customer and wishes you many years of safe and satisfied use of your bicycle.

General Warnings



Read all safety warnings and all instructions.

Failure to follow the warnings and instructions may result in death or serious injury.

Save all safety warnings and instructions for future reference.

The term “battery pack” used in these operating instructions refers to all original Bosch eBike battery packs.

About Warnings

This manual contains many “**DANGER**”, “**WARNING**”, and “**CAUTION**” indicators concerning the consequences of failing to use, assemble, maintain, store, inspect and dispose of a Bosch-equipped eBike in a safe manner.

The combination of the safety alert symbol and the word “**DANGER**” indicates a hazardous situation that, if not avoided, **will** result in death or serious injury.

The combination of the safety alert symbol and the word “**WARNING**” indicates a hazardous situation that, if not avoided, **could** result in death or serious injury.

The combination of the safety alert symbol and the word “**CAUTION**” indicates a hazardous situation that, if not avoided, could result in minor or moderate injury.

WARNING

- ▶ **This manual contains important safety, performance and service information.** Read it before you take the first ride on your new bicycle, and keep it for reference. The manual can also be found online at www.bosch-ebike.com.
- ▶ **This manual is intended to be read together with the separate user manual provided with your bicycle.** Be sure to read all provided documents including labels on the product before your first ride.

- ▶ **Read ALL accompanying manuals before riding the bike for the first time.** Your Bosch Drive System comes with additional manuals and documents provided by the manufacturer of the bicycle and other components. Failure to read and understand safety information can result in death or serious injury.
- ▶ **Take responsibility for your own SAFETY.** If you have any questions or do not understand something, contact your Bosch eBike dealer or the bicycle or component manufacturer.
- ▶ **Some eBike accessories may present a choking hazard to small children.** Keep these accessories away from children.

CAUTION

- ▶ **The Bosch Drive System adds weight to your bicycle which you may not be used to lifting.** Avoid injury; use proper lifting techniques.

Using Your Operator’s Manual

In addition to the functions shown here, changes to software relating to troubleshooting and functional enhancements may be introduced at any time.

Graphics

The bicycle shown in this manual may differ slightly from your bicycle, but will be similar enough to help you understand our instructions.

RIGHT-HAND and LEFT-HAND sides are determined by facing in the direction the bicycle will travel when going forward. When you see a broken line (-----), the item referred to is hidden from view.

On-Product Warning Labels

A

eBike Battery Charger 36-4/100-230
0 275 007 906
 Input: 100V - 230V ~ 50-60Hz 2.2A
 Output: 36V= 4A
 Made in PRC
 Robert Bosch GmbH, Reutlingen

This device complies with part 15 of the FCC Rules. Operation is subject to the following two conditions: (1) This device may not cause harmful interference, and (2) this device must accept any interference received, including interference that may cause undesired operation. For safe operation see manual. Risk of electric shock. Dry location use only. Charge only batteries of the Bosch eBike Systems. Other batteries may burst causing personal damage. Do not replace the plug assembly as risk of fire or electric shock may result.

⚠ WARNING

⚠ ADVERTENCIA Para un funcionamiento con seguridad, ver el manual Peligro de sacudida eléctrica. Utilice solamente en lugares secos. Cargar únicamente baterías de sistemas eBike de Bosch. Otras baterías podrían reventar, causando lesiones personales y daños. No reemplace el ensamblaje del enchufe, ya que el resultado puede ser riesgo de incendio o sacudidas eléctricas.

⚠ AVERTISSEMENT Pour un fonctionnement sûr, reportez-vous au manuel. Risque de choc électrique. Utiliser en lieu sec uniquement. A utiliser uniquement avec les batteries des systèmes d'assistance électrique eBike de Bosch. D'autres batteries risqueraient d'éclater et de causer des blessures corporelles et des dommages. Ne pas remplacer la connectique car un risque d'incendie ou de choc électrique pourrait en résulter.

UL US LISTED BATTERY CHARGER E472024
 BFP
 CE
 SI

B

eBike Battery Charger 36-2/100-240
0 275 007 915 Compact Charger
 Input: 100-240V ~ 50/60Hz 1.6A
 Output: 36V = 2A
 Made in PRC
 Robert BOSCH GmbH, Reutlingen

This device complies with part 15 of the FCC Rules. Operation is subject to the following two conditions: (1) This device may not cause harmful interference, and (2) this device must accept any interference received, including interference that may cause undesired operation. For safe operation see manual. Risk of electric shock. Indoor use only. Charge only batteries of the Bosch eBike Systems. Other batteries may burst causing personal damage. Do not replace the plug assembly as risk of fire or electric shock may result.

⚠ WARNING

⚠ ADVERTENCIA Para un funcionamiento con seguridad, ver el manual Peligro de sacudida eléctrica. Utilice solamente en lugares secos. Cargar únicamente baterías de sistemas eBike de Bosch. Otras baterías podrían reventar, causando lesiones personales y daños. No reemplace el ensamblaje del enchufe, ya que el resultado puede ser riesgo de incendio o sacudidas eléctricas.

⚠ AVERTISSEMENT Pour un fonctionnement sûr, reportez-vous au manuel. Risque de choc électrique. Utiliser en lieu sec uniquement. A utiliser uniquement avec les batteries des systèmes d'assistance électrique eBike de Bosch. D'autres batteries risqueraient d'éclater et de causer des blessures corporelles et des dommages. Ne pas remplacer la connectique car un risque d'incendie ou de choc électrique pourrait en résulter.

UL US LISTED BATTERY CHARGER E000000
 BFP
 CE
 Li-Ion USE ONLY with BOSCH Li-Ion batteries

A Wide range charger

B Compact charger

A short version of important safety warnings in English, French and Spanish with the following content can be found on the bottom side of the charger (marked with number **4** in the representation on the graphics page):

- For safe operation, see manual.
- Risk of electric shock.
- Indoor use only.
- Charge only batteries for the Bosch eBike Systems. Other batteries may burst causing personal damage.
- Do not replace the plug assembly as risk of fire or electric shock may result.

Operating the charger “Charger”

Safety Instructions

IMPORTANT SAFETY INSTRUCTIONS SAVE THESE INSTRUCTIONS –

This manual contains important safety and operating instructions for this battery charger.

- ▶ **Before using battery charger, read all instructions and cautionary markings on battery charger, battery, and product using battery.**
- ▶ **CAUTION:** To reduce risk of injury, charge only batteries of the Bosch eBike Systems. Other types of batteries may burst causing personal injury and damage.



Read and understand all safety warnings and instructions. Failure to follow the warnings below could result in death or serious injury.

Save all safety warnings and instructions for future reference.

The term “battery pack” used in these operating instructions refers to all original Bosch eBike battery packs.

⚠ DANGER

- ▶ **Only charge eBike-approved Bosch lithium-ion battery packs. The battery pack voltage must match the battery pack charging voltage of the charger.** Otherwise, there is risk of fire and explosion.



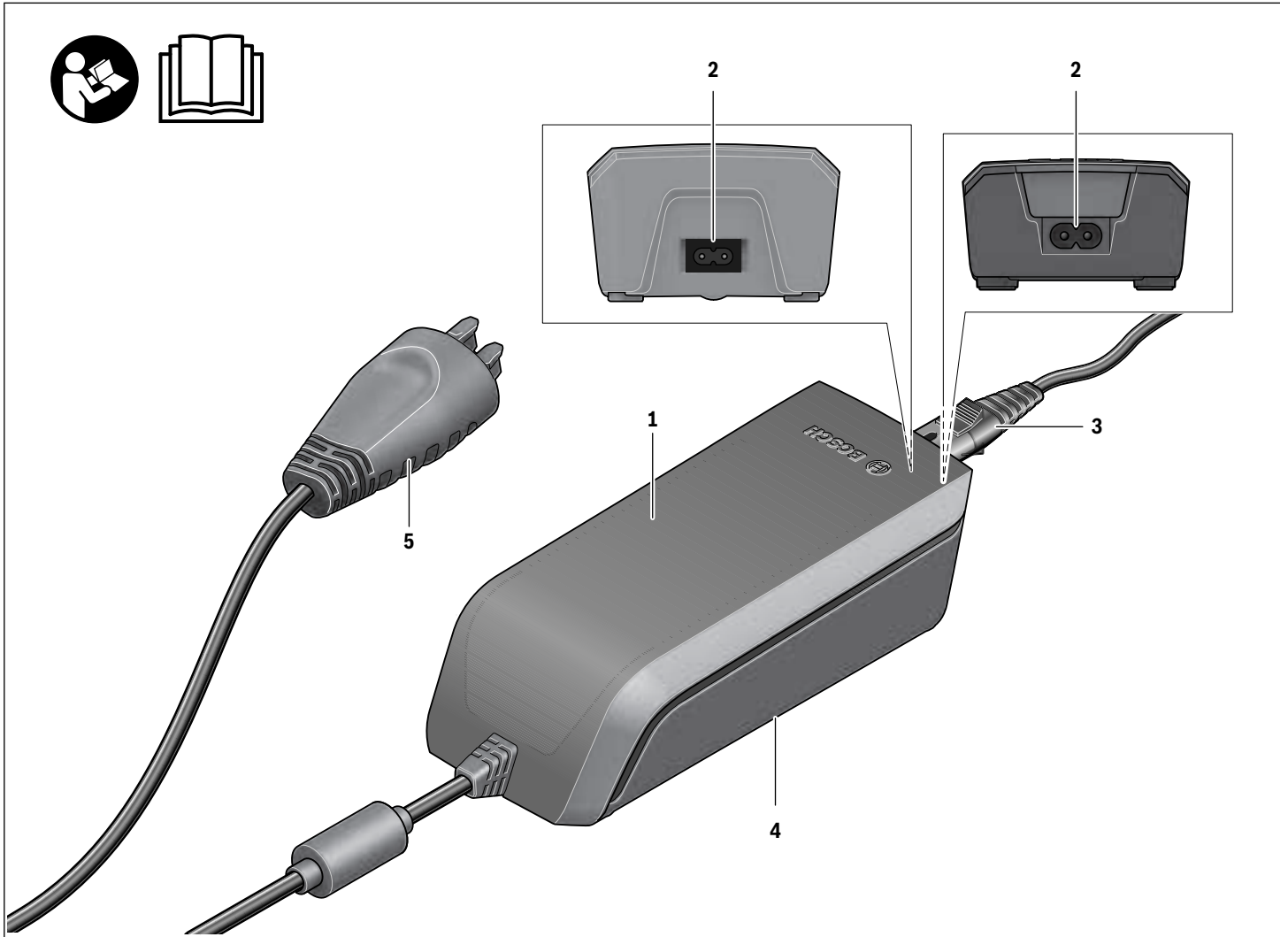
Keep the charger away from rain and moisture. The penetration of water into a battery charger increases the risk of an electric shock.

⚠ WARNING

- ▶ **Use only the original Bosch battery charger supplied with your eBike or one approved for your eBike by the manufacturer and purchased from a trusted source.** Bypassing the battery charger or the use of a non-approved or counterfeit battery charger can lead to death or serious injury.
- ▶ **Keep the battery charger clean.** Contamination can lead to the risk of an electric shock. Clean only with the use of a damp cloth (mild soap/water).

- ▶ **Always check the charger, cable and plug before use. Do not use the charger if you discover any damage. Do not open the charger.** Damaged chargers, cables and plugs increase the risk of electric shock.
- ▶ **Do not operate the battery charger on easily flammable surfaces (e.g., paper, textiles, etc.) or in combustible environments.** There is danger of fire due to the heating of the battery charger during charging.
- ▶ **Use caution when touching the charger during the charging procedure. Wear protective gloves.** Especially in high ambient temperatures, the charger can heat up considerably.
- ▶ **The battery may give off fumes if it becomes damaged or is used incorrectly. Provide a fresh air supply and seek medical advice in the event of pain or discomfort of being exposed to these fumes.** These fumes may irritate the respiratory tract.
- ▶ **Do not place the charger or battery pack near flammable materials. Charge battery packs only when dry and in a fireproof area.** There is a risk of fire due to the heat generated during charging.
- ▶ **The eBike battery must not be left unattended while charging.**
- ▶ **Battery packs must not be subjected to mechanical impacts.** There is a risk that the battery pack will be damaged causing vapors to escape. The vapors can irritate the respiratory system. Provide for fresh air and seek medical attention in case of complaints.
- ▶ **Keep the battery charger away from children.** This will ensure that children do not play with the charger.
- ▶ **Persons who are not capable of safely operating the charger because of their physical, sensory or mental limitations, or because of their lack of experience or knowledge, may only use this charger under supervision or after having been instructed by a responsible person.** Otherwise, there is a risk of operating errors and injuries.
- ▶ **Read and observe the safety warnings and instructions in all operating instructions of the eBike system and your eBike.**

Product Description and Specifications



Product Features

- 1 Battery charger
- 2 Charger socket
- 3 Plug-in connector
- 4 Safety warnings, charger
- 5 Charge connector

Technical Data

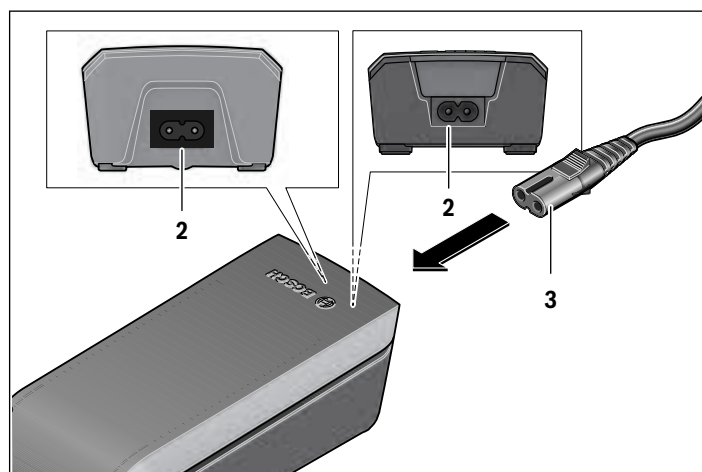
Battery Charger		Wide Range Charger (36-4/100-230)	Compact Charger (36-2/100-240)
Article number		0 275 007 906	0 275 007 915
Rated voltage	V~	90...264	90...264
Frequency	Hz	47...63	47...63
Output voltage	V=	36	36
Charging current	A	4	2
Charging time, approx.			
– PowerPack 400	h	3.5	6.5
– PowerPack 500	h	4.5	7.5
Operating temperature	°F	+32...+104	+32...+104
Storage temperature	°F	+14...+122	+14...+122
Weight, approx.	lb	1.8	1.3
Degree of protection		IP 40	IP 40

Power cord		
Article number		1 270 020 343
Rated voltage – Cable	V~	300
Rated voltage – Connectors/ plug-in-connectors	V~	125
Rated current – Connectors/ plug-in-connectors	A	10
Material – Cable		PVC
Safety standard – Cable		UL62
Safety standard – Connectors/ plug-in-connectors		UL817
Length, approx.	m	1.8

Operation

Initial Operation

Connecting the Charger to Household Electricity



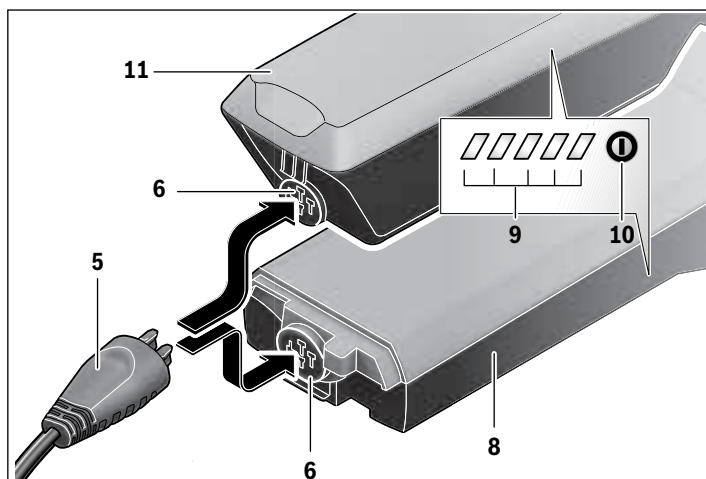
► **Note the household voltage!** The voltage of the power supply must correspond to the specifications given on the battery charger nameplate.

Plug the charger plug **3** of the power cord into the charger socket **2** of the charger.

Connect the power supply cable (country-specific) to the household electricity supply.

Use only the supplied input connection: standard AC power cord (**3** in the diagram) when connecting to the household electrical supply.

Charging the Removed Battery



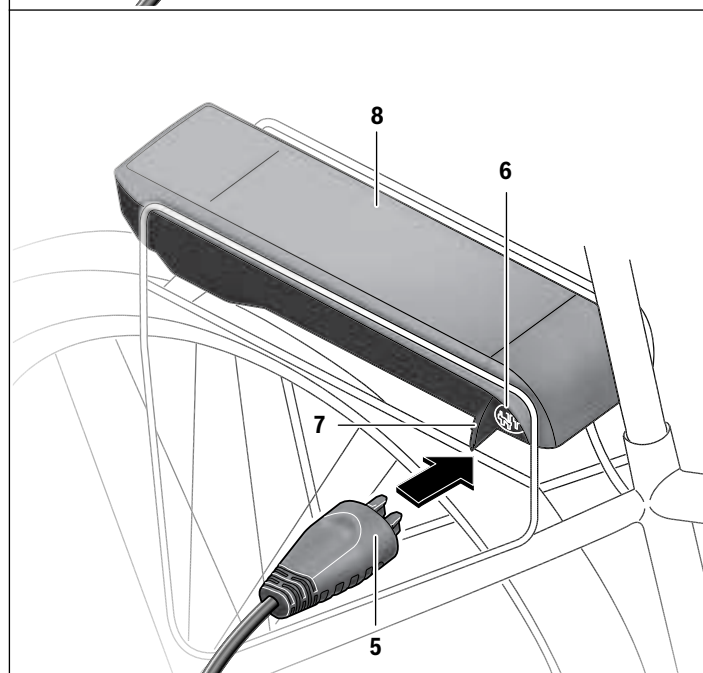
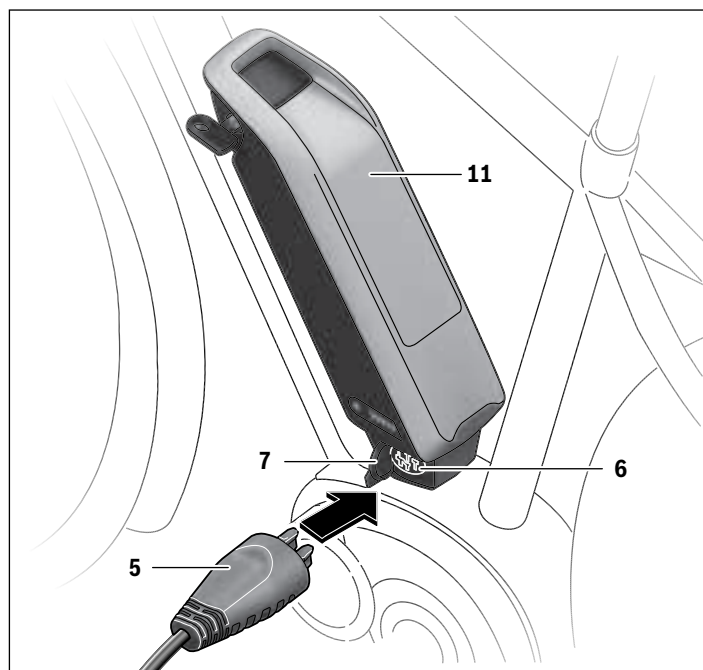
- 5** Charge connector
- 6** Socket for charge connector
- 8** Rack-type battery pack
- 9** Operation and charge-control indicator
- 10** Battery On/Off button
- 11** Standard battery pack

Switch the battery pack off and remove it from the holder of the eBike. To do this, read and follow the operating instructions for the battery pack.

- **Put the battery pack down only on clean surfaces.** In particular, avoid getting the charge socket and the contacts dirty, e.g., with sand or soil.

Insert the charger plug **5** for the battery charger into the socket **6** on the battery pack.

Charging the Battery on the Bike



Switch the battery off. Clean the cover of the charge socket **7**. In particular, prevent the charge socket and the contacts from getting dirty, e.g., with sand or soil. Lift the cover of the charge socket **7** and plug the charge connector **5** into the charge socket **6**.

- **Charge the battery only in accordance with all safety instructions.** If this is not possible, remove the battery from the holder and charge it in a more suitable location. When doing so, read and follow the operating instructions for the battery.

Charging with Two Battery Packs Inserted

If two battery packs are mounted on one eBike, both battery packs can be charged using the unsealed connection. The charging process will charge both battery packs alternately, automatically switching between both battery packs numerous times. The charging times add up.

Both battery packs are also discharged alternately during operation.

If you take the battery packs out of the holders, you can charge each battery pack individually.

Charging Procedure

The charging procedure begins as soon as the charger is connected to the battery or the charge socket on the bike and the main power supply.

Note: The charging procedure is only possible when the temperature of the eBike battery pack is within the permissible charging temperature range.

Note: The drive unit is deactivated during the charging procedure.

The battery can be charged with or without the on-board computer. When charging without the on-board computer, the charging procedure can only be observed on the battery charge-control indicator.

If the on-board computer is connected, a corresponding message will be output on the display.

The charging state is displayed by the battery charge-control indicator **9** on the battery and by the bars on the on-board computer.

During the charging procedure, the LEDs for charge-control indicator **9** on the battery pack light up. Each continuously lit LED is equivalent to a charge capacity of approx. 20 %. The flashing LED indicates the charging of the next 20 %.

Once the battery is fully charged, the LEDs extinguish immediately and the on-board computer is switched off. The charging procedure is terminated. The charging state can be displayed for 3 seconds by pressing the On/Off button **10**.

Disconnect the charger from the main power supply and the battery pack from the charger.

When disconnecting the battery pack from the charger, the battery pack is automatically switched off.

Note: If you have charged on the bike, carefully close the charge socket **6** with the cover **7** after the charging procedure so that no dirt or water can get in.

If the charger is not disconnected from the battery after charging, after a few hours the charger will switch itself back on, check the charging state of the battery and begin the charging procedure again if necessary.

Maintenance/Cleaning

⚠ WARNING

- ▶ **Do not open any of the components. Service should only be carried out at an authorized Bosch eBike dealer.** Failure to follow the above warning may result in death or serious injury. Refer to your bicycle manual or component manual for all non-Bosch Drive System components.
- ▶ **Do not charge or use your eBike in any area with a potentially explosive atmosphere, such as at a fueling area, or in areas where the air contains chemicals or particles (such as grain, dust, or metal powders).** Obey all signs and follow all instructions.
- ▶ **Do not submerge your eBike components in water, or wash using a pressurized hose.** Your Bosch drive unit is designed to be water tight in regards to rain water and non-pressurized hose washing.
- ▶ **Do not paint any components of the Bosch Drive System as this may cause premature failure of the components.**

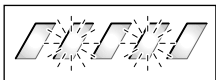


After Sale Service and Customer Assistance

In case of questions concerning the eBike system and its components, please contact an authorized Bosch eBike dealer.

Contact data for authorized Bosch eBike dealers can be found at www.bosch-ebike.com

When the battery pack is no longer operative, please contact an authorized Bosch eBike dealer.

Troubleshooting

Cause	Corrective Action
 <p>Battery pack defective</p>	<p>Two LEDs of the battery pack flashing</p> <p>Contact an authorized bicycle dealer.</p>
 <p>Battery pack too warm or too cold</p>	<p>Three LEDs of the battery pack flashing</p> <p>Disconnect the battery from the charger until the charging temperature range has been reached. Do not connect the battery pack to the charger until it has reached the permissible charging temperature.</p>
 <p>The charger is not charging.</p> <p>No charging procedure possible (no indication on the battery pack)</p>	<p>No LED flashes (one or more LEDs light up continuously depending on the charging state of the eBike battery pack).</p> <p>Contact an authorized bicycle dealer.</p>
Plug not inserted correctly	Check all plug connections
Contacts of battery pack dirty	Carefully clean the contacts on the battery pack.
Socket outlet, cable or charger defective	Check household voltage; have charger checked through bicycle dealer
Battery pack defective	Contact an authorized bicycle dealer.

Battery Recycling Program

General Warnings

Disposal



The drive unit, on-board computer (incl. the operating unit), battery pack, speed sensor, accessories and packaging should be sorted for environmentally-friendly recycling.

Do not dispose of eBikes and their components with the household waste!



You may recycle your Bosch battery pack by calling 1-800-822-8837.

Performance Line



Owner's Manual – The Bosch Drive System Intuvia

BUI251: 1 270 020 906 | BUI255: 1 270 020 909



BOSCH

en Original instructions



This manual contains important safety, performance and service information. Read and understand it along with the information provided to you by your bicycle manufacturer before using the product, and keep it for reference.



Introduction

Thank You for Purchasing a Bosch Drive System Equipped Bicycle!

Your Bosch eBike system team appreciates having you as a customer and wishes you many years of safe and satisfied use of your bicycle.

General Warnings



Read all safety warnings and all instructions.

Failure to follow the warnings and instructions may result in death or serious injury.

Save all safety warnings and instructions for future reference.

The term “battery pack” used in these operating instructions refers to all original Bosch eBike battery packs.

About Warnings

This manual contains many “**DANGER**”, “**WARNING**”, and “**CAUTION**” indicators concerning the consequences of failing to use, assemble, maintain, store, inspect and dispose of a Bosch-equipped eBike in a safe manner.

The combination of the safety alert symbol and the word “**DANGER**” indicates a hazardous situation that, if not avoided, **will** result in death or serious injury.

The combination of the safety alert symbol and the word “**WARNING**” indicates a hazardous situation that, if not avoided, **could** result in death or serious injury.

The combination of the safety alert symbol and the word “**CAUTION**” indicates a hazardous situation that, if not avoided, could result in minor or moderate injury.

⚠ WARNING

- ▶ **This manual contains important safety, performance and service information.** Read it before you take the first ride on your new bicycle, and keep it for reference. The manual can also be found online at www.bosch-ebike.com.
- ▶ **This manual is intended to be read together with the separate user manual provided with your bicycle.** Be sure to read all provided documents including labels on the product before your first ride.

- ▶ **Read ALL accompanying manuals before riding the bike for the first time.** Your Bosch Drive System comes with additional manuals and documents provided by the manufacturer of the bicycle and other components. Failure to read and understand safety information can result in death or serious injury.
- ▶ **Take responsibility for your own SAFETY.** If you have any questions or do not understand something, contact your Bosch eBike dealer or the bicycle or component manufacturer.
- ▶ **Some eBike accessories may present a choking hazard to small children.** Keep these accessories away from children.

⚠ CAUTION

- ▶ **The Bosch Drive System adds weight to your bicycle which you may not be used to lifting.** Avoid injury; use proper lifting techniques.

Using Your Operator’s Manual

Graphics

The bicycle shown in this manual may differ slightly from your bicycle, but will be similar enough to help you understand our instructions.

RIGHT-HAND and LEFT-HAND sides are determined by facing in the direction the bicycle will travel when going forward. When you see a broken line (-----), the item referred to is hidden from view.

Operating your Bosch Drive System

Safety Rules



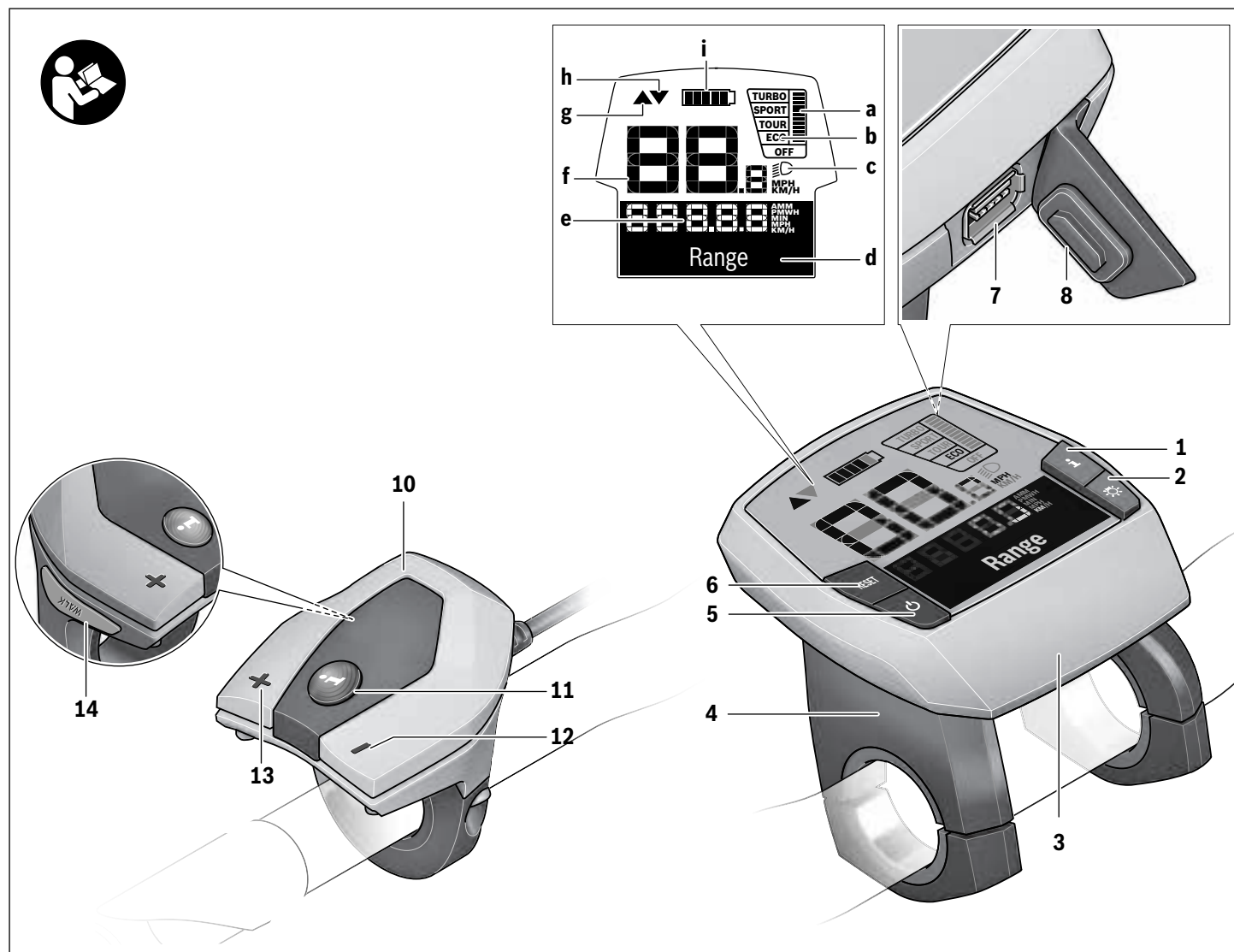
Please read all safety warnings and all instructions. Failure to follow the warnings and instructions may result in electric shock, fire and/or serious injury.

Please save all safety warnings and instructions for future reference.

The term “battery” is used in these instructions to mean all original Bosch eBike rechargeable battery packs.

- ▶ **Do not use the on-board computer as a handle while picking up the eBike or while riding.** Lifting the eBike up by the on-board computer can cause damage to the on-board computer and/or the mount.
- ▶ **Make sure to not be distracted by the display of the on-board computer.** If you do not focus exclusively on your riding environment, you risk being involved in an accident. If you want to make changes with your on-board computer other than switching the assistance level, stop and then enter the appropriate data.
- ▶ **Read and observe the safety warnings and instructions in all operating instructions of the eBike system and your eBike.**

Product Description and Specifications



Product Features

- 1 Display function button “i”
- 2 “Light” button
- 3 On-board computer Intuvia
- 4 Holder for on-board computer Intuvia
- 5 On/Off button for on-board computer
- 6 “RESET” button
- 7 USB port
- 8 Protective cap for USB port
- 10 Operating unit
- 11 Display function button “i” on the operating unit
- 12 Reduce assistance/scroll down button “-”
- 13 Increase assistance/scroll up button “+”
- 14 Push assistance button “WALK”*

*Not executable in some countries

On-board Computer Information

- a Drive unit assistance indicator
- b Assistance level indicator
- c Light indicator
- d Text indicator
- e Value indicator
- f Speed indicator
- g Shift recommendation: higher gear
- h Shift recommendation: lower gear
- i Battery charge-control indicator

Technical Data

On-board computer		Intuvia
Article number		1 270 020 906/909
Max. charging current, USB connection	mA	500
Charging voltage, USB connection	V	5
USB charging cable *		1 270 016 360
Operating temperature	°F	+23...+104
Storage temperature	°F	+14...+122
Charging temperature	°F	+32...+104
Internal lithium-ion battery	V mAh	3,7 230
Degree of protection**		IP 54 (dust and splash water protected)
Weight, approx.	lb	0,3

*) Not included as part of standard delivery

***) When USB cover is closed

This device is in compliance with Part 15 of the FCC Rules. Operation is subject to the following two conditions:

- (1) This device must not cause harmful interference, and
- (2) this device must accept any interference that is received, including interference that may cause undesired operation.

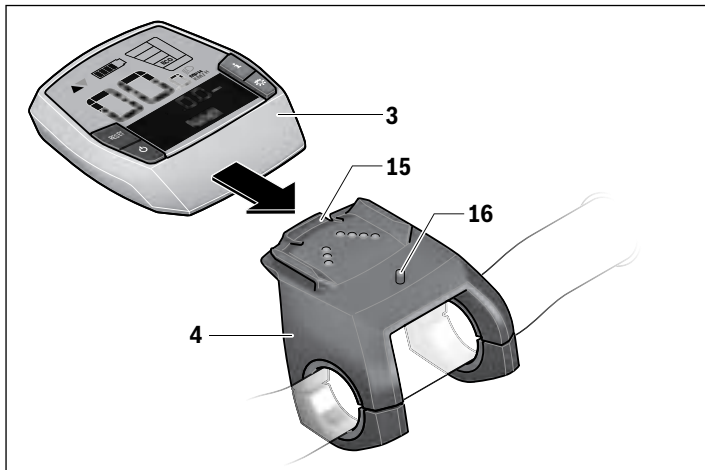
This device is in compliance with CAN ICES-3(B)/NM B-3(B).
Bosch eBike system uses FreeRTOS (see www.freertos.org)

Assembly

Inserting and removing the battery pack

To insert or remove the battery pack in/from the eBike, please read and follow the battery pack operating instructions.

Inserting and removing the on-board computer



3 On-board computer

4 Holder for on-board computer

15 Lock latch for on-board computer

16 Locking screw for on-board computer

To **insert** the on-board computer **3**, slide it from the front into the holder **4**.

To **remove** the on-board computer **3**, press the lock latch **15** and slide the on-board computer toward the front out of the holder **4**.

► **Remove the on-board computer when you park the eBike.**

It is possible to secure the display unit against removal in the holder. To do so, remove the holder **4** from the handlebar. Put the display unit in the holder. Screw the locking screw **16** (thread M3, 8 mm long) from below into the thread provided in the holder. Attach the holder back onto the handlebar.

Note: The locking screw is not designed to prevent theft.

Operation

Requirements

The eBike system can only be activated when the following requirements are met:

- A sufficiently charged battery pack is inserted (see the operating instructions for the battery pack).
- The on-board computer is properly inserted into the holder.
- The on-board computer is properly connected.

Initial Operation

Switching the eBike System On/Off

Options for **switching on** the eBike system:

- If the on-board computer is already switched on when inserted into the holder, then the eBike system will be switched on automatically.
- When the on-board computer and the eBike battery pack are inserted, briefly press the On/Off button **5** of the on-board computer once.
- With the on-board computer inserted, push the On/Off button on the eBike battery (bicycle manufacturer solutions are possible whereby there is no access to the battery On/Off button; see the battery operating instructions).

Once it is switched on, the eBike system is in the “**OFF**” mode. Select the desired assistance level and take off.

The drive is activated as soon as you put pressure on the pedals. The assistance level depends upon the on-board computer settings.

As soon as you stop pedaling when in normal operation, or as soon as you have reached a speed of 20 mph, the assistance from the eBike drive unit is switched off. The motor assistance is automatically re-activated as soon you start pedaling again and the speed is below 20 mph.



Options for **switching off** the eBike system:

- Press the On/Off button **5** of the on-board computer.
- Switch off the eBike battery using its On/Off button (bicycle manufacturer-specific solutions are possible whereby there is no access to the battery On/Off button; see the bicycle manufacturer operating instructions).
- Remove the on-board computer out of its holder.

If the eBike is not moved **and** no button is pressed on the on-board computer for 10 minutes, the eBike system will shut down automatically in order to save energy.

eShift (optional)

eShift is the integration of electronic gear shifting systems into the eBike system. The eShift components are electrically connected to the drive unit by the manufacturer. The separate operating instructions describe how to operate the electronic gear-shifting systems.

Indications and Settings of the on-board computer

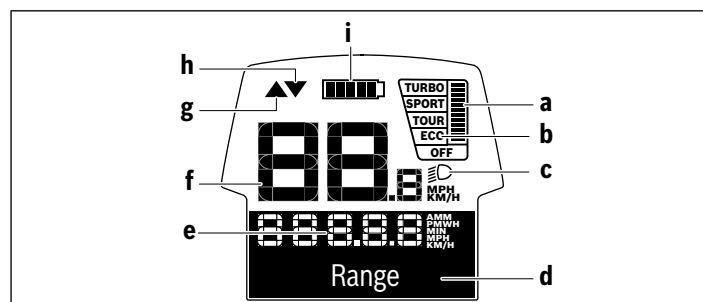
Energy supply of the on-board computer

If the on-board computer is in the holder **4**, a sufficiently charged battery pack is inserted into the eBike and the eBike system is turned on, then the on-board computer is powered by the eBike battery pack.

If the on-board computer is removed from the holder **4**, the energy is supplied via an internal battery pack. If the internal battery pack is weak when the on-board computer is switched on, **“Attach to bike”** will appear in text indication **d** for 3 s. The on-board computer will then turn off again.

To charge the internal battery pack, put the on-board computer back in the holder **4** (when a battery pack is inserted in the eBike). Switch the eBike battery pack on by its On/Off button (see battery pack operating instructions).

You can also charge the on-board computer via the USB port. Open the protective cap **8**. Connect the USB port **7** of the on-board computer via a suitable USB cable to a standard USB charger or the USB port of a computer (5 V charging voltage, max. 500 mA charging current). **“USB connected”** will appear in the text indication **d** of the on-board computer.



Switching the on-board computer On/Off

To **switch on** the on-board computer, briefly press the On/Off button **5**. When the internal battery pack is sufficiently charged, the on-board computer can also be switched on when not inserted in the holder.

To **switch off** the on-board computer, press the On/Off button **5**.



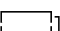
When the on-board computer is not inserted in the holder and no button is pressed, it automatically switches off after 1 min to save energy.

- **If you are not going to be using your eBike for several weeks, remove the on-board computer from its mount.** Store the on-board computer in a dry environment at room temperature. Regularly recharge the on-board computer's battery (at least every 3 months).


Battery charge-control indicator

The battery pack charge-control indicator **i** indicates the charge condition of the eBike's battery pack, and not the charge condition of the on-board computer's internal battery. The charge condition of the eBike's battery pack can also be read from the battery pack's LEDs.

On indicator **i**, each bar of the battery pack symbol is equivalent to a capacity of approx. 20 %:

-  The eBike battery is fully charged.
-  The eBike battery should be recharged.
-  Once there are no remaining LED bars illuminated on the charge-control indicator, the motor support is gently switched off and the charge-control indicator begins to flash. The flashing charge-control indicator means there is only enough battery power remaining to power the eBike lights for approximately 2 more hours. This does not account for other consumers (e.g., automatic gearbox, charging external devices at the USB port).

When the on-board computer is removed from holder **4**, the last indicated battery pack charge condition is stored. If an eBike is operated with two battery packs, the battery charge-control indicator **i** displays the level of **both** battery packs.

 If an eBike has two battery packs being charged on the bike, the charging progress of both battery packs will be indicated on the display (the left-hand battery pack is being charged in the illustration). You can tell by the flashing indicator on the battery pack which of the two battery packs is being charged.

Setting the Assistance Level

The level of assistance of the eBike drive unit when pedaling can be adjusted via the operating unit **10**. The assistance level can be changed anytime, even during riding.

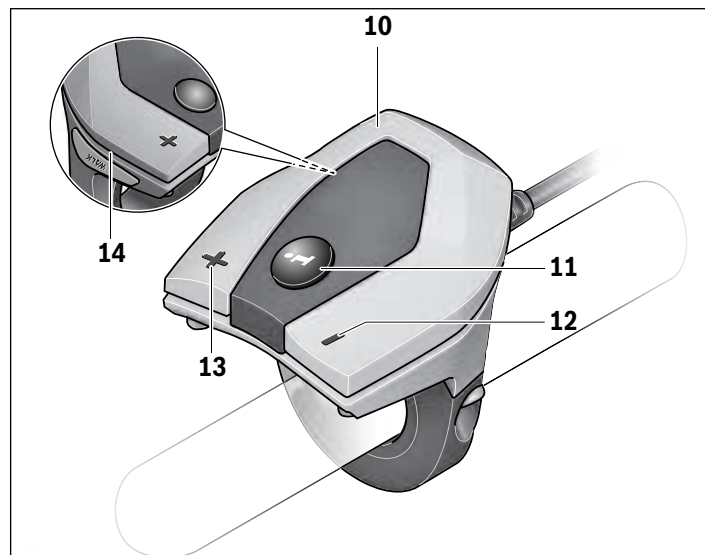
Note: For individual versions, it is possible that the assistance level is preset and cannot be changed. It is also possible that fewer assistance levels are available for selection than listed here.

If the manufacturer has configured the eBike with **“eMTB Mode”** and an Intuvia on-board computer is being used on the bicycle, **“eMTB Mode”** will appear briefly on the display when the **“SPORT”** assistance level is selected. In **“eMTB Mode”**, the assistance factor and torque are dynamically adjusted as a function of the force you exert on the pedals. **“eMTB Mode”** is only available for Performance Line CX drives.

The following assistance levels (max.) are available:

- **“OFF”**: The motor assistance is switched off, the eBike can be operated as a normal bicycle through pedaling.
- **“ECO”**: Effective assistance at maximum efficiency for maximum cruising range
- **“TOUR”**: Uniform assistance, for touring with long cruising range
- **“SPORT”/“eMTB”**:
“SPORT”: Powerful assistance for sporty off-road riding, as well as for urban traffic
“eMTB”: Optimal assistance whatever the terrain, rapid acceleration when starting from a standstill, improved dynamics and top performance.
- **“TURBO”**: Maximum assistance, supporting the highest speed for sporty riding

To **increase** the assistance level, press the **“+”** button **13** on the operating unit until the desired assistance level is displayed in indicator **b**; to **decrease** the assistance level, press the **“-”** button **12**.



The requested motor output is displayed in indicator **a**. The maximum motor output depends on the selected assistance level.

When the on-board computer is removed from the holder **4**, then the last indicated level is **not** stored and the on-board computer is reset to the **“OFF”** mode.

Once it is switched on, the eBike system is in the **“OFF”** mode.

Interaction of the eBike System with the Bicycle Gears

The bicycle gears should be used as with a normal bicycle, even with eBike motor assistance (please follow the operating instructions for your eBike).

Independent of the type of gearing, it is recommended to briefly interrupt the pedaling while changing gears. This makes changing gears easier and reduces the wear on the drive train.

By selecting the right gear, you can increase the speed and range with the same pedaling effort.

For this reason, follow the shift recommendations provided by indications **g** and **h** on your display. If indication **g** is displayed, you should shift to a higher gear with lower cadence. If indication **h** is displayed, you should select a lower gear with higher cadence.

Switching bike lights On/Off

If your lights are set up to be powered by the eBike system, then you can use the **2** button on the on-board computer to simultaneously switch both the front light and the rear light on and off.

When the lighting is switched on, “**Lights on**” appears, and when the lighting is switched off, “**Lights off**” appears for approx. 1 s in the text indicator **d**. The light symbol **c** is displayed when the light is on.

Switching the driving light on and off has no effect on the backlighting for the display. The backlighting for the display is active as soon as the system or the display is switched on.

Switching the Walk Assistance On/Off

The walk assistance can make it easier for you to push the eBike. The speed of this function depends on the selected gear and can reach a maximum of 3.7 mph. The lower the selected gear, the lower the speed of the walk assistance function (at full capacity).

► **Using the walk assistance function is only recommended when pushing the eBike.** There is risk of injury if the wheels of the eBike are not in contact with the ground while using the walk assistance.

To **activate** the walk assistance function, briefly press button “**WALK**” on your on-board computer. After activation, press button “**+**” within 3 s and keep it pressed. The eBike drive is switched on.

Note: The walk assistance cannot be activated in the “**OFF**” assistance level.

The walk assistance is **switched off** as soon as one of the following occurs:

- you release the button “**+**” **13**,
- the wheels of the eBike are stopped (e.g. by actuating the brakes or impacting against an obstacle),
- the speed exceeds 3.7 mph.

Note: On some systems the walk assistance function can be started directly by pressing the “**WALK**” button.

Speed and Distance Indicator

The **speed indicator f** always displays the current speed.

The following functions are available in the **function indicator** (combination of text indicator **d** and value indicator **e**):

- “**Clock**”: Current time
- “**Max. speed**”: Maximum speed achieved since the last reset
- “**Avg. speed**”: Average speed achieved since the last reset
- “**Trip time**”: Trip time since the last reset
- “**Range**”: Estimated range of the available battery pack charge (for constant conditions such as assistance level, route profile, etc.)
- “**Odometer**”: Display of the total distance traveled with the eBike (cannot be reset)
- “**Trip distance**”: Distance covered since the last reset

To **switch between the indication functions**, press the “**i**” button **1** on the on-board computer or the “**i**” button **11** on the operating unit until the desired function is displayed.

To **reset “Trip distance”, “Trip time” and “Avg. speed”**, switch to any of the three functions and then press and hold the “**RESET**” button **6** until the indicator is set to zero. This also resets the values for the other two functions.

To **reset the “Max. speed”**, switch to this function and then press and hold the “**RESET**” button **6** until the indicator is set to zero.

To **reset “Range”**, switch to this function and then press the “**RESET**” **6** button until the display is reset to the value of the factory setting.

When the on-board computer is removed from the holder **4**, all function values remain stored and can be viewed.

Displaying/Adapting Basic Settings

The basic settings can be displayed and changed regardless of whether the on-board computer is inserted in the holder **4** or not. Some settings are visible and changeable only when the operating computer is inserted. Some menu items may be missing depending on the equipment of your eBike.

To access the basic settings menu, press and hold the **“RESET”** button **6** and the **“i”** button **1** until **“Configuration”** is displayed in text indicator **d**.

To **switch between the basic settings**, press the **“i”** button **1** on the on-board computer until the desired basic setting is displayed. When the on-board computer is inserted in holder **4**, you can also press the **“i”** button **11** on the operating unit.


To **change the basic settings**, press the On/Off button **5** next to the **“-”** indicator to decrease the value or scroll down, or the light button **2** next to the **“+”** indicator to increase the value or scroll up.

When the on-board computer is inserted in holder **4**, you can also change the values with the **“-”** button **12** or the **“+”** button **13** on the operating unit.

To exit the function and store a changed setting, press the **“RESET”** button **6** for 3 s.

The following basic settings are available:

- **“- Clock +”**: The current time can be set here. Pressing and holding the setting buttons fast-forwards the setting speed.
- **“- Wheel circum. +”**: You can change this value pre-set by the manufacturer by $\pm 5\%$. This menu item is displayed only when the on-board computer is in the holder.
- **“- English +”**: You can change the language of the text indications. You can choose between German, English, French, Spanish, Italian, Portuguese, Swedish, Dutch and Danish.
- **“- Unit km/mi +”**: The speed and distance can be displayed either in kilometers or miles.
- **“- Time format +”**: The time can be displayed either in a 12-hour or 24-hour format.
- **“- Shift recom. on/off +”**: You can switch the indication of a shift recommendation on and off.
- **“Power-on hours”**: Indicates the total travel time with the eBike (can not be changed).
- **“Displ. vx.x.x.x”**: This is the software version of the display.

- **“DU vx.x.x.x”**: This is the software version of the drive unit. This menu item is displayed only when the on-board computer is in the holder.
- **“DU^S xxxxxxxxx”**: This is the serial number of the drive unit. This menu item is displayed only when the on-board computer is in the holder.
- **“ Service MM/YYYY”**: This menu item is displayed when the bike manufacturer has set a fixed service appointment.
- **“ Serv. xx km/mi”**: This menu item is displayed when the bike manufacturer has set a fixed service appointment after a certain mileage has been reached.
- **“Bat. vx.x.x.x”**: This is the software version of the battery pack. This menu item is displayed only when the on-board computer is in the holder.
- **“1. Bat. vx.x.x.x”**: When using 2 battery packs this is the software version of one of the battery packs. This menu item is displayed only when the on-board computer is in the holder.
- **“2. Bat. vx.x.x.x”**: When using 2 battery packs this is the software version of the other battery pack. This menu item is displayed only when the on-board computer is in the holder.

Power Supply for External Devices via USB Connection

With the USB connection, it is possible to operate and charge most devices whose power supply is possible via a USB port (e.g., various mobile phones).

A prerequisite for the charging is that the on-board computer and a sufficiently charged battery pack are inserted in the eBike.

Open the protective cap **8** of the USB port on the on-board computer. Connect the USB connection of the external device to the USB port **7** on the on-board computer using the USB charging cable Micro A – Micro B (available from your Bosch eBike dealer).

Once the consumer has been disconnected, the USB connection must be sealed again carefully with the protective cap **8**.

- ▶ **A USB connection is not a waterproof plug-in connection. When riding in the rain, an external device must not be connected and the USB connection must be completely sealed with the protective cap 8.**

Transport

- ▶ **If you carry your eBike outside of your car, e.g. on a luggage rack, remove the on-board computer and the eBike battery pack in order to avoid damaging them.** (If the on-board computer cannot be fitted onto a bracket, it is not possible to remove it from the bicycle. In this case, the on-board computer may remain on the bicycle.)
- ▶ **Always remove the battery pack from the bicycle before transporting the bicycle on a vehicle bike rack.** Failure to remove the battery pack when using a vehicle bike rack can lead to death or serious injury. The battery may detach during transport and cause an accident to following vehicles.
- ▶ **Always use an approved and compatible bicycle rack when transporting your eBike. The Bosch Drive System adds weight to the bicycle.** Refer to your bicycle rack manual to be sure your eBike is compatible. Overloading a bike rack can result in death or serious injury.
- ▶ **Use proper lifting techniques because electric bikes are generally heavier than bicycles.**

Ship batteries only when the housings are undamaged. Tape or mask off open contacts and pack up the battery in such a way that it cannot move around in the packaging. Notify your parcel service that the package contains dangerous goods. Please also follow possibly more detailed national regulations. Always check the state and federal regulations before attempting to ship your battery. In case of questions concerning transport of the battery packs, please contact an authorized Bosch eBike dealer. Bosch eBike dealers can also provide suitable transport packaging.

Maintenance/Cleaning

⚠ WARNING

- ▶ **Your Bosch Drive System components are maintenance-free.** Do not open any of the components. Service should only be carried out at an authorized Bosch eBike dealer. Failure to follow the above warning may result in death or serious injury. Refer to your bicycle manual or component manual for all non-Bosch Drive System components.
- ▶ **Always remove the battery pack before performing any bicycle inspection, maintenance or repair.** Failure to remove the battery pack before performing bicycle inspection, maintenance or repair can lead to serious injury.
- ▶ **If you suspect that something is loose, do not ride your bike.** See your Bosch eBike dealer; only a qualified service provider should perform work on your Bosch Drive System. All nuts, bolts, screws require the correct tightening force. Too little force and the fastener may not hold securely. Too much force and the fastener can stretch, deform or break, or the threads can be stripped. Either way, incorrect tightening force can result in component failure, which can cause you to lose control and fall.
- ▶ **Do not paint any components of the Bosch Drive System as this may cause premature failure of the components.**

Careful Handling of the eBike

Please observe the operating and storage temperatures for the eBike components. Protect the drive unit, on-board computer and battery pack against extreme temperatures (e.g., from intense sunlight without adequate ventilation). The components (especially the battery pack) can become damaged because of extreme temperatures.

It is recommended to have your eBike system checked by an expert at least once a year (including mechanical parts and to update the system software).

- The eBike manufacturer or dealer may also base the service date on the distance traveled and/or a period of time. In this case, the on-board computer will show you every time it is switched on that the service date is due in the text indication **d** by displaying “🔧 **Service**” for 4 s.

Please contact an authorized bicycle dealer for service or repairs to the eBike.

Cleaning

- ▶ **Do not submerge your eBike components in water, or wash using a pressurized hose.** Your Bosch drive unit is designed to be water tight in regards to rain water and non-pressurized hose washing.

Keep all components of your eBike clean, especially the battery pack contacts and the corresponding holder contacts.

All components including the drive unit may not be immersed in water or cleaned with a high-pressure cleaner. Keep all components of your eBike clean, especially the battery pack contacts and the corresponding holder contacts. Clean them carefully with a soft, damp cloth (using only mild soap and water).

After Sale Service and Customer Assistance

In case of questions concerning the eBike system and its components, please contact an authorized Bosch eBike dealer.

Contact data for authorized Bosch eBike dealers can be found at **www.bosch-ebike.com**

When the battery pack is no longer operative, please contact an authorized Bosch eBike dealer.

Troubleshooting

Error Code Indicator

The components of the eBike system are continuously and automatically monitored. When an error is detected, the respective error code is indicated in text indicator **d**.

To return to the standard indicator, press any button on the on-board computer **3** or on the operating unit **10**.

Depending on the type of error, the drive unit is automatically shut off, if required. Continued travel without assistance from the drive unit is possible at any time. However, have the eBike checked before attempting new trips.

► **Troubleshooting actions may be performed by the owner except those explicitly noted as “Contact your Bosch eBike dealer”.**

Code	Cause	Corrective Action
410	One or more buttons of the on-board computer are blocked.	Check if any buttons are blocked, e.g., by dirt or debris. Clean the buttons, if required.
414	Operating unit connection problem	Have connections and contacts checked.
418	One or more buttons of the operating unit are blocked.	Check if any buttons are blocked, e.g., by dirt or debris. Clean the buttons, if required.
419	Configuration error	Restart the system. If the problem persists, contact your Bosch eBike dealer.
422	Drive unit connection problem	Have connections and contacts checked.
423	EBike battery pack connection problem	Have connections and contacts checked.
424	Communications error among the components	Have connections and contacts checked.
426	Internal time-out error	Restart the system. If the problem persists, contact your Bosch eBike dealer. In this error status, it is not possible to display or adjust the wheel circumference in the basic settings menu.
430	Internal battery pack of on-board computer empty	Charge on-board computer (in holder or via USB port).
431	Software version error	Restart the system. If the problem persists, contact your Bosch eBike dealer.
440	Internal error in the drive unit	Restart the system. If the problem persists, contact your Bosch eBike dealer.
450	Internal software error	Restart the system. If the problem persists, contact your Bosch eBike dealer.
460	Error at USB connection	Remove the cable from the USB connection of the on-board computer. If the problem persists, contact your Bosch eBike dealer.
490	Internal error in the on-board computer	Have the on-board computer checked.
500	Internal error in the drive unit	Restart the system. If the problem persists, contact your Bosch eBike dealer.
502	Bike lighting error	Check the light and the associated wiring. Restart the system. If the problem persists, contact your Bosch eBike dealer. Do not ride in the dark without lights.
503	Error of the speed sensor	Restart the system. If the problem persists, contact your Bosch eBike dealer.
510	Internal sensor error	Restart the system. If the problem persists, contact your Bosch eBike dealer.

Code	Cause	Corrective Action
511	Internal error in the drive unit	Restart the system. If the problem persists, contact your Bosch eBike dealer.
530	Battery pack error	Switch off the eBike, remove the eBike battery pack and reinsert the eBike battery pack. Restart the system. If the problem persists, contact your Bosch eBike dealer.
531	Configuration error	Restart the system. If the problem persists, contact your Bosch eBike dealer.
540	Temperature error	The eBike is outside of the permissible temperature range. Switch off the eBike system and allow the drive unit to either cool down or heat up to the permissible temperature. Restart the system. If the problem persists, contact your Bosch eBike dealer.
550	An improper load was detected.	Remove the load. Restart the system. If the problem persists, contact your Bosch eBike dealer.
580	Software version error	Restart the system. If the problem persists, contact your Bosch eBike dealer.
591	Authentication error	Switch off the eBike system. Remove the battery pack and reinsert it. Restart the system. If the problem persists, contact your Bosch eBike dealer.
592	Incompatible component	Insert a compatible display. If the problem persists, contact your Bosch eBike dealer.
593	Configuration error	Restart the system. If the problem persists, contact your Bosch eBike dealer.
595, 596	Communication error	Check the wiring to the transmission and restart the system. If the problem persists, contact your Bosch eBike dealer.
602	Internal battery pack error while charging	Unplug the charger from the battery pack. Restart the eBike system. Plug the charger into the battery pack. If the problem persists, contact your Bosch eBike dealer.
602	Internal battery pack error	Restart the system. If the problem persists, contact your Bosch eBike dealer.
603	Internal battery pack error	Restart the system. If the problem persists, contact your Bosch eBike dealer.
605	Battery pack temperature error	The eBike is outside of the permissible temperature range. Switch off the eBike system and allow the drive unit to either cool down or heat up to the permissible temperature. Restart the system. If the problem persists, contact your Bosch eBike dealer.
605	Battery pack temperature error while charging	Unplug the charger from the battery pack. Allow the battery pack to cool. If the problem persists, contact your Bosch eBike dealer.
606	External battery pack error	Check the wiring. Restart the system. If the problem persists, contact your Bosch eBike dealer.
610	Battery pack voltage error	Restart the system. If the problem persists, contact your Bosch eBike dealer.
620	Charging error	Replace the charger. Contact your Bosch eBike dealer.
640	Internal battery pack error	Restart the system. If the problem persists, contact your Bosch eBike dealer.

Code	Cause	Corrective Action
655	Multiple battery pack errors	Switch off the eBike system. Remove the battery pack and reinsert it. Restart the system. If the problem persists, contact your Bosch eBike dealer.
656	Software version error	Contact your Bosch eBike dealer so that he can perform a software update.
7xx	Transmission error	Please observe the operating instructions provided by the transmission manufacturer.
No display	Internal error in the on-board computer	Restart your eBike system by switching it off and back on.

Battery Recycling Program

General Warnings

Disposal



The drive unit, on-board computer (incl. the operating unit), battery pack, speed sensor, accessories and packaging should be sorted for environmentally-friendly recycling.

Do not dispose of eBikes and their components with the household waste!



You may recycle your Bosch battery pack by calling 1-800-822-8837.

Français

- FR-2** Bosch Drive System 20 mph
- FR-11** Performance Line Drive Unit 20 mph
- FR-18** Bosch Drive System 28 mph
- FR-29** Performance Line Drive Unit 28 mph
- FR-36** Batterie PowerPack
- FR-50** Chargeur
- FR-59** Display Intuvia

Performance Line

20 mph



Owner's Manual – The Bosch Drive System (20 mph)

Drive Unit | On-board computer | PowerPack | Charger

0 275 007 038/039/045 | 1 270 020 906/909/916/917 | 0 275 007 524...526/533...536/538 |
0 275 007 906/915



BOSCH

fr Notice originale



Cette notice contient d'importantes informations sur la sécurité, les performances et l'entretien. Lisez-les et comprenez-les ainsi que les informations fournies par le fabricant de votre vélo avant d'utiliser le produit, et conservez-les pour référence ultérieure.

Âge: 16+



Introduction

Merci d'avoir acheté un vélo équipé du système d'entraînement Bosch !

L'équipe eBike Systems de Bosch apprécie de vous compter parmi ses clients et vous souhaite de nombreuses années d'utilisation de votre vélo en toute sécurité et pour votre entière satisfaction.

Avertissements généraux



Lisez tous les avertissements de sécurité et toutes les instructions. Le fait de ne pas respecter les avertissements et les instructions peut entraîner des blessures graves ou mortelles.

Conservez tous les avertissements et toutes les instructions pour pouvoir s'y reporter ultérieurement.

Le terme « accu » utilisé dans cette notice d'utilisation se réfère aussi bien aux accus standards (accus avec fixation sur le cadre du vélo) qu'aux accus du porte-bagages (accus avec fixation dans le porte-bagages).

À propos des avertissements

Ce manuel contient de nombreuses mises en garde (« **DANGER** », « **AVERTISSEMENT** » et « **ATTENTION** ») portant sur les conséquences liées au non-respect des instructions relatives à l'utilisation, au montage, à l'entretien, au stockage, à l'inspection et à la mise au rebut d'un eBike équipé Bosch de manière sécurisée.

L'association du symbole d'alerte de sécurité au mot « **DANGER** » indique une situation dangereuse qui, à défaut d'être évitée, **entraînera** des blessures graves ou mortelles.

L'association du symbole d'alerte de sécurité au mot « **AVERTISSEMENT** » indique une situation dangereuse qui, à défaut d'être évitée, **peut entraîner** des blessures graves ou mortelles.

L'association du symbole d'alerte de sécurité au mot « **ATTENTION** » indique une situation dangereuse qui, à défaut d'être évitée, peut entraîner des blessures légères ou modérées.

AVERTISSEMENT

- **Le système d'entraînement Bosch est conçu pour être utilisé par des personnes âgées au minimum de 16 ans.** Les conducteurs doivent détenir les capacités mentales, de coordination physique et de réaction nécessaires pour conduire un vélo et gérer le trafic, les conditions de circulation et les situations imprévues tout en respectant les lois et les réglementations inhérentes à la conduite d'un vélo.

- **Cette notice contient d'importantes informations sur la sécurité, les performances et l'entretien.** Veuillez la lire avant d'utiliser votre vélo pour la première fois, et la conserver pour référence ultérieure. Vous pouvez également retrouver cette notice en ligne à l'adresse www.bosch-ebike.com.
- **Cette notice est destinée à être lue conjointement avec le manuel utilisateur séparé fourni avec votre vélo.** Assurez-vous de lire tous les documents fournis y compris les étiquettes apposées sur le produit avant la première utilisation.
- **Lisez TOUS les manuels et TOUTES les notices jointes avant d'utiliser votre vélo pour la première fois.** Votre système d'entraînement Bosch est livré avec d'autres manuels et documents fournis par le fabricant du vélo et des autres éléments. Ne pas lire ou ne pas comprendre les informations de sécurité peut entraîner des blessures graves ou mortelles.
- **Assumez la responsabilité de votre propre SÉCURITÉ.** En cas de question ou d'incompréhension, contactez votre revendeur ou le fabricant du vélo ou de l'élément.
- **Certains accessoires de l'eBike peuvent présenter un risque d'étouffement pour les petits enfants.** Conservez ces accessoires hors de portée des enfants.

ATTENTION

- **Le système d'entraînement Bosch alourdit votre vélo. Vous n'avez peut-être pas l'habitude de le soulever.** Évitez de vous blesser en utilisant des techniques de levage appropriées.

Utilisation de votre notice d'utilisation

Votre notice d'utilisation se compose de plusieurs parties :

- une notice d'utilisation pour le système eBike Bosch (cette notice)
 - une notice d'utilisation pour l'unité d'entraînement
 - une notice d'utilisation pour l'ordinateur de bord
 - une notice d'utilisation pour le chargeur
 - une notice d'utilisation pour l'accu
- **Lisez et respectez les consignes de sécurité et les instructions de toutes les notices d'utilisation du système eBike, ainsi que la notice d'utilisation de votre eBike.**

Graphiques

Le vélo illustré dans cette notice peut être légèrement différent de votre vélo, mais il est suffisamment similaire pour vous permettre de comprendre nos instructions.

Les côtés DROIT et GAUCHE sont déterminés en se plaçant en situation, dans le sens de la marche du vélo. Lorsqu'une ligne en pointillé (-----) apparaît, l'élément auquel il est fait référence n'est pas visible.

Vue d'ensemble du système d'entraînement Bosch

Vue du vélo (standard)



Éléments du système d'entraînement Bosch

Toutes les représentations des éléments du vélo, à l'exception des éléments de l'eBike, sont schématiques et peuvent être différentes de votre eBike.

- 1 Ordinateur de bord
- 2 Accu standard « PowerPack »
- 3 Unité d'entraînement
- 4 Chargeur

Vue du vélo (type de support)



Éléments du système d'entraînement Bosch

Toutes les représentations des éléments du vélo, à l'exception des éléments de l'eBike, sont schématiques et peuvent être différentes de votre eBike.

- 1 Ordinateur de bord
- 2 Accu de porte-bagages « PowerPack »
- 3 Unité d'entraînement
- 4 Chargeur

Utilisation de votre système d'entraînement Bosch

Préparez-vous à rouler

⚠ AVERTISSEMENT

- ▶ **Lisez et comprenez tous les avertissements et toutes les instructions.** Le fait de ne pas respecter les avertissements ci-dessous peut entraîner des blessures graves ou mortelles.
- ▶ **Protégez les autres personnes contre les blessures graves ou mortelles. Empêchez toute utilisation non autorisée.** Retirez toujours la batterie du vélo lorsqu'ils ne sont pas utilisés et rangez-les dans un endroit sûr. Le fait de ne pas sécuriser votre vélo contre toute utilisation non autorisée peut entraîner des blessures graves ou mortelles chez d'autres personnes.

Avant la première utilisation

Consultez le manuel de votre vélo pour connaître toutes les informations importantes relatives aux éléments du vélo tels que les freins, les pédales, les changements de vitesses, etc.

⚠ AVERTISSEMENT

- ▶ **Lorsque vous roulez, ne vous laissez pas distraire par l'ordinateur de bord et restez toujours attentif en toutes circonstances.** L'ordinateur de bord doit uniquement être utilisé dans une position stationnaire ou de démarrage sécurisé. Utilisez l'unité de commande pour changer les niveaux d'assistance moteur pendant que vous roulez.
- ▶ **Consultez le manuel de votre vélo pour connaître le poids maximal de votre vélo.** L'excès de poids sur votre vélo peut entraîner une défaillance d'un élément et par là-même des blessures graves ou mortelles. Le poids maximal est généralement défini par le total du poids du conducteur et le poids des éventuels bagages.

Utilisation conforme

⚠ AVERTISSEMENT

- ▶ **Apprenez à connaître votre vélo et à l'utiliser en consultant le manuel de votre vélo.** Utiliser votre vélo de manière incorrecte et pour un usage auquel il n'est pas destiné peut entraîner des blessures graves ou mortelles.

Les éléments du système d'entraînement Bosch sont conçus exclusivement pour votre vélo électrique et ne doivent pas être utilisés à d'autres fins.

Votre unité d'entraînement Bosch n'est pas conçue pour remorquer un autre vélo. Pour l'attelage de remorque, consultez le manuel de votre vélo et le manuel de la remorque pour obtenir des instructions sur le remorquage et la compatibilité de remorquage.

Procédure de démarrage sûre

⚠ AVERTISSEMENT

- ▶ **Respectez la procédure de démarrage sûre ci-dessous.** Le non-respect de la procédure de démarrage sûre peut entraîner des blessures graves ou mortelles.

Préparations

Avant de commencer, vérifiez ce qui suit :

- Le chargeur de batterie est bien débranché du vélo
- Votre accu est verrouillé en place (tirez sur l'accu pour vous assurer qu'il est verrouillé en place)
- Retirez la clé du verrou de l'accu

Commencer à rouler

- Asseyez-vous sur la selle, en posant les deux pieds au sol et les deux mains sur le guidon.
- Une fois que vous êtes dans une position stable, allumez l'ordinateur de bord Bosch. Le système d'entraînement Bosch démarre toujours en mode « **OFF** ».
- Placez les deux mains sur le guidon et commencez à pédaler.

Instructions pour utiliser le système eBike

Quand est-ce que l'entraînement du vélo électrique travaille ?

L'entraînement du vélo électrique vous aide pendant votre course tant que vous pédalez. Sans pédaler, aucune assistance. La puissance du moteur dépend toujours de la force appliquée lorsque vous pédalez.

Si vous appliquez peu de force, l'assistance est moins forte que lorsque vous appliquez plus de force. Et cela indépendamment du niveau d'assistance.

L'assistance moteur du vélo électrique s'arrête automatiquement à une vitesse supérieure à 20 miles par heure. Si la vitesse tombe au-dessous de 20 miles par heure, l'assistance moteur est automatiquement à nouveau disponible.

Vous pouvez à tout moment utiliser le vélo électrique comme un vélo normal sans assistance, si vous éteignez le système eBike ou si vous mettez le niveau d'assistance sur « OFF ». Il en va de même si l'accu est vide.

Interaction entre le système eBike et la vitesse

Même avec entraînement de vélo électrique vous devriez utiliser la vitesse comme pour un vélo normal (respectez la notice d'utilisation de votre vélo électrique).

Indépendamment du type de vitesse, il est recommandé d'arrêter brièvement de pédaler pendant que vous changez de vitesse. Ceci facilite le changement de vitesse et réduit l'usure de l'arbre d'entraînement.

En choisissant la vitesse appropriée, vous pouvez augmenter la vitesse et la portée en appliquant la même force.

Essayez la portée de votre vélo électrique dans différentes conditions avant de planifier un parcours long et exigeant.

- **Lisez et comprenez la section « Influences sur la portée » ci-dessous avant de planifier votre sortie.**

Influences sur la portée

La distance restante est influencée par de nombreux facteurs, tels que, par exemple :

- Niveau d'assistance,
- Vitesse,
- Rapport de vitesses,
- Type de pneus et de pression de pneus,
- Âge et état d'entretien de l'accu,
- Le profil (pentes) et la nature (revêtement de la chaussée) du parcours,
- Vent contraire et température ambiante,
- Poids de l'eBike, du conducteur et des bagages.

C'est pourquoi il n'est pas possible de prédire avec exactitude l'autonomie avant un trajet et pendant un trajet.

Règles générales :

- Avec un niveau d'assistance **identique** de l'entraînement de l'eBike, moins vous aurez à forcer pour atteindre une certaine vitesse (par exemple, via une utilisation optimale de commutateur de vitesses), moins l'entraînement de l'eBike aura besoin d'énergie et plus importante sera la distance restante d'une charge de l'accu.
- Plus le niveau d'assistance sélectionné sera **élevé**, même dans des conditions constantes, moins l'autonomie sera grande.

Note : Programmez vos trajets de sorte à pouvoir arriver à destination à tout moment même sans assistance moteur.

Transport

▲ AVERTISSEMENT

- **Si vous devez transporter votre eBike à l'extérieur de votre voiture, par exemple, sur une galerie de toit, retirez l'ordinateur de bord et l'accu de l'eBike afin d'éviter tout dommage.** (Les ordinateurs de bord qui se sont pas insérables dans un support ne peuvent pas être retirés du vélo. En pareil cas, l'ordinateur de bord peut rester sur le vélo.)
- **Retirez toujours l'accu du vélo avant de transporter le vélo sur un porte-vélos.** Le fait de ne pas retirer l'accu lorsque vous utilisez un porte-vélos peut entraîner des blessures graves ou mortelles. La batterie peut se détacher pendant le transport et provoquer un accident avec les véhicules environnants.
- **Utilisez toujours un porte-vélos compatible et approuvé lorsque vous transportez votre eBike. Le système d'entraînement Bosch représente un poids supplémentaire pour votre vélo.** Reportez-vous au manuel de votre porte-vélo pour vous assurer que votre eBike est compatible. L'excès de poids sur un porte-vélos peut entraîner des blessures graves ou mortelles.
- **Utilisez des techniques de levage correctes car les vélos électriques sont généralement plus lourds que les vélos traditionnels.**

Expédiez les accus uniquement si leur boîtier n'est pas endommagé. Protégez les contacts et emballez l'accu de manière à ce qu'il ne puisse pas se déplacer dans l'emballage. Prévenez l'expéditeur qu'il s'agit d'un produit classé comme matière dangereuse. Veuillez également respecter les réglementations supplémentaires éventuellement en vigueur dans votre pays. Vérifiez toujours les réglementations départementales et nationales avant de tenter d'expédier votre batterie.

Pour toute question concernant le transport de l'accu, adressez-vous à un vélociste autorisé. Vous pouvez également commander un emballage de transport approprié auprès d'un commerçant spécialisé.

Entretien/nettoyage

⚠ AVERTISSEMENT

- ▶ **Les éléments de votre système d'entraînement Bosch ne nécessitent aucun entretien.** N'ouvrez aucun élément. L'entretien doit uniquement être effectué par un revendeur eBike Bosch autorisé. Le fait de ne pas respecter l'avertissement ci-dessus peut entraîner des blessures graves ou mortelles. Reportez-vous au manuel de votre vélo ou au manuel de l'élément pour tous les éléments ne faisant pas partie du système d'entraînement Bosch.
- ▶ **Retirez toujours l'accu avant d'inspecter un vélo, de procéder à son entretien ou à sa réparation.** Le fait de ne pas retirer l'accu avant d'inspecter un vélo, de procéder à son entretien ou à sa réparation peut entraîner des blessures graves.
- ▶ **Si vous suspectez une défaillance, n'utilisez pas votre vélo.** Consultez votre revendeur eBike Bosch, seul un revendeur qualifié doit intervenir sur votre système d'entraînement Bosch. Tous les écrous, les boulons et les vis requièrent une force de serrage correcte. Une force de serrage trop faible ne permet pas la fixation sécurisée des composants. Une force de serrage excessive risque au contraire de briser les filets, et d'étendre, de déformer ou de casser les éléments de fixation. D'une manière ou d'une autre, une force de serrage incorrecte peut entraîner une défaillance de l'élément, ce qui peut vous faire perdre le contrôle de votre vélo et vous faire tomber.

- ▶ **Si vous remplacez votre batterie, achetez uniquement un accu Bosch d'origine auprès d'une source fiable et approuvée. Contactez votre revendeur eBike Bosch pour les pièces Bosch d'origine.**
- ▶ **Arrêtez toujours l'accu lorsque vous le montez ou le retirez de son support.** Ne tentez jamais de monter ni de retirer l'accu lorsque vous roulez à vélo.
- ▶ **Ne rechargez pas et n'utilisez pas votre eBike dans une zone présentant une atmosphère potentiellement explosive, par exemple dans une station-service ou dans des zones dans lesquelles l'air contient des produits chimiques ou des particules (telles que des grains, de la poussière ou des poudres métalliques).** Respectez tous les panneaux et toutes les instructions.
- ▶ **Ne plongez pas vos composants eBike dans l'eau et ne les lavez pas avec un pulvérisateur haute pression.** Votre unité d'entraînement Bosch est conçue pour être étanche à l'eau de pluie ou à un tuyau d'arrosage sans pression.
- ▶ **Notez le nom du fabricant et le numéro de la clé.** Si vous perdez les clés, contactez un revendeur eBike Bosch autorisé. Veuillez fournir le nom du fabricant et le numéro de la clé.
- ▶ **Ne peignez aucun élément du système d'entraînement Bosch car cela peut entraîner une défaillance prématurée de l'élément.**

Maniement soigneux du vélo électrique

Respectez les températures de fonctionnement et de stockage des composants de l'eBike. Protégez l'unité d'entraînement, l'ordinateur de bord et l'accu des températures extrêmes (par exemple d'une exposition intense aux rayons du soleil sans ventilation simultanée). Les composants (notamment l'accu) peuvent être endommagés par une exposition à des températures extrêmes.

Faites contrôler votre système eBike au moins une fois par an sur le plan technique (partie mécanique, actualité du logiciel système, etc.).

Pour le Service Après-Vente ou des réparations sur votre vélo électrique, adressez-vous à un vélociste autorisé.

Service Après-Vente et Assistance Clients

Pour toutes les questions concernant le système eBike et ses éléments, adressez-vous à un vélociste autorisé.

Vous trouverez les données de contact de vélocistes autorisés sur le site internet www.bosch-ebike.com

Si l'accu ne peut plus fonctionner, veuillez vous adresser à un vélociste autorisé.

Nettoyage

- **Ne plongez pas vos composants eBike dans l'eau et ne les lavez pas avec un pulvérisateur haute pression.** Votre unité d'entraînement Bosch est conçue pour être étanche à l'eau de pluie ou à un tuyau d'arrosage sans pression.

Maintenez tous les éléments de votre vélo électrique propres, surtout les contacts de l'accu et les supports de fixation.

Ne plongez pas dans l'eau les éléments, y compris l'unité de l'entraînement et ne les nettoyez pas à l'aide d'un nettoyeur haute pression. Maintenez tous les éléments de votre vélo électrique propres, surtout les contacts de l'accu et les supports de fixation. Nettoyez-les soigneusement à l'aide d'un chiffon doux et humide (en utilisant uniquement du savon doux et de l'eau).

Programme de recyclage des accus

Avertissements généraux

Élimination des déchets



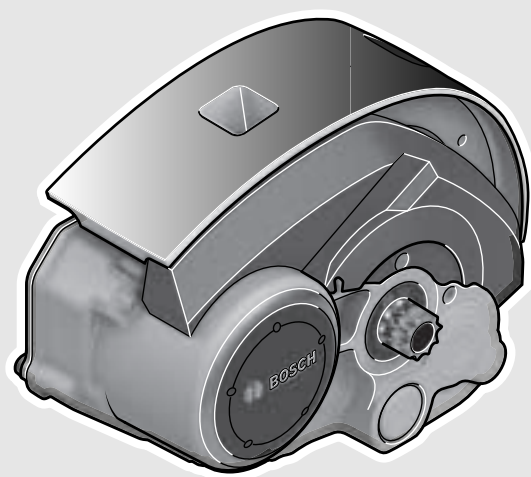
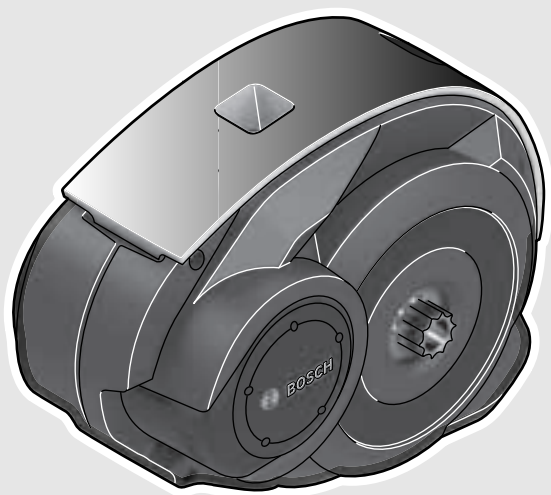
L'unité d'entraînement, l'ordinateur de bord et son unité de commande, l'accu, le capteur de vitesse, les accessoires et l'emballage doivent être triés afin d'être recyclés de façon respectueuse de l'environnement.

Ne jetez pas les vélos électriques et leurs éléments dans les ordures ménagères !



Vous pouvez recycler votre accu Bosch en appelant le 1.800.822.8837.

Performance Line



Owner's Manual – The Bosch Drive System (20 mph)

Drive Unit

BDU280P CX: 0 275 007 038 | BDU280P: 0 275 007 065



BOSCH

fr Notice originale



Cette notice contient d'importantes informations sur la sécurité, les performances et l'entretien. Lisez-les et comprenez-les ainsi que les informations fournies par le fabricant de votre vélo avant d'utiliser le produit, et conservez-les pour référence ultérieure.



Introduction

Merci d'avoir acheté un vélo équipé du système d'entraînement Bosch !

L'équipe eBike Systems de Bosch apprécie de vous compter parmi ses clients et vous souhaite de nombreuses années d'utilisation de votre vélo en toute sécurité et pour votre entière satisfaction.

Avertissements généraux



Lisez tous les avertissements de sécurité et toutes les instructions. Le fait de ne pas respecter les avertissements et les instructions peut entraîner des blessures graves ou mortelles.

Conservez tous les avertissements et toutes les instructions pour pouvoir s'y reporter ultérieurement.

Le terme « batterie » utilisé dans la présente notice d'utilisation désigne une batterie d'eBike Bosch d'origine.

À propos des avertissements

Ce manuel contient de nombreuses mises en garde (« **DANGER** », « **AVERTISSEMENT** » et « **ATTENTION** ») portant sur les conséquences liées au non-respect des instructions relatives à l'utilisation, au montage, à l'entretien, au stockage, à l'inspection et à la mise au rebut d'un eBike équipé Bosch de manière sécurisée.

L'association du symbole d'alerte de sécurité au mot « **DANGER** » indique une situation dangereuse qui, à défaut d'être évitée, **entraînera** des blessures graves ou mortelles.

L'association du symbole d'alerte de sécurité au mot « **AVERTISSEMENT** » indique une situation dangereuse qui, à défaut d'être évitée, **peut entraîner** des blessures graves ou mortelles.

L'association du symbole d'alerte de sécurité au mot « **ATTENTION** » indique une situation dangereuse qui, à défaut d'être évitée, peut entraîner des blessures légères ou modérées.

⚠ AVERTISSEMENT

- ▶ **Cette notice contient d'importantes informations sur la sécurité, les performances et l'entretien.** Veuillez la lire avant d'utiliser votre vélo pour la première fois, et la conserver pour référence ultérieure. Vous pouvez également retrouver cette notice en ligne à l'adresse www.bosch-ebike.com.
- ▶ **Cette notice est destinée à être lue conjointement avec le manuel utilisateur séparé fourni avec votre vélo.** Assurez-vous de lire tous les documents fournis y compris les étiquettes apposées sur le produit avant la première utilisation.

- ▶ **Lisez TOUS les manuels et TOUTES les notices jointes avant d'utiliser votre vélo pour la première fois.** Votre système d'entraînement Bosch est livré avec d'autres manuels et documents fournis par le fabricant du vélo et des autres éléments. Ne pas lire ou ne pas comprendre les informations de sécurité peut entraîner des blessures graves ou mortelles.
- ▶ **Assumez la responsabilité de votre propre SÉCURITÉ.** En cas de question ou d'incompréhension, contactez votre revendeur ou le fabricant du vélo ou de l'élément.
- ▶ **Certains accessoires de l'eBike peuvent présenter un risque d'étouffement pour les petits enfants.** Conservez ces accessoires hors de portée des enfants.

⚠ ATTENTION

- ▶ **Le système d'entraînement Bosch alourdit votre vélo. Vous n'avez peut-être pas l'habitude de le soulever.** Évitez de vous blesser en utilisant des techniques de levage appropriées.

Utilisation de votre notice d'utilisation

Graphiques

Le vélo illustré dans cette notice peut être légèrement différent de votre vélo, mais il est suffisamment similaire pour vous permettre de comprendre nos instructions.

Les côtés DROIT et GAUCHE sont déterminés en se plaçant en situation, dans le sens de la marche du vélo. Lorsqu'une ligne en pointillé (-----) apparaît, l'élément auquel il est fait référence n'est pas visible.

Utilisation de votre unité d'entraînement

Avertissements de sécurité



Lisez et comprenez tous les avertissements et toutes les instructions. Le fait de ne pas respecter les avertissements ci-dessous peut entraîner des blessures graves ou mortelles.

Conservez tous les avertissements et toutes les instructions pour pouvoir s'y reporter ultérieurement.

Le terme « batterie » utilisé dans la présente notice d'utilisation désigne une batterie d'eBike Bosch d'origine.

- ▶ **N'ouvrez pas vous-même l'unité d'entraînement. Les réparations de l'unité d'entraînement doivent être confiées à un revendeur qualifié utilisant uniquement des pièces de rechange d'origine.** Cela permet de préserver le bon fonctionnement de l'unité d'entraînement. Une ouverture non autorisée de l'unité d'entraînement annule la garantie.
- ▶ **Tous les éléments montés sur l'unité d'entraînement et tous les autres éléments de l'entraînement du vélo électrique (par ex. plateau, fixation du plateau, pédales) ne doivent être remplacés que par des éléments d'un type similaire ou spécialement autorisés par le fabricant de vélo pour votre vélo électrique.** Ceci permet de protéger l'unité d'entraînement d'une surcharge et de dommages.
- ▶ **Retirez l'accu de l'eBike avant de commencer à travailler (par ex. inspection, réparation, montage, entretien, travaux au niveau de la chaîne, etc.) sur l'eBike, de le transporter en voiture ou en avion ou de le ranger.** Une activation involontaire du système eBike risque de provoquer des blessures.
- ▶ **Le système eBike peut s'allumer lorsque vous rechargez votre eBike.**
- ▶ **La fonction d'assistance de poussée ne doit être utilisée que quand vous poussez le vélo électrique.** Les roues du vélo électrique doivent être en contact avec le sol lorsque l'assistance de poussée est utilisée, sinon il y a danger de blessures.
- ▶ **Sur les vélos à fonction de rétro-pédalage, les pédales sont entraînées quand l'assistance à la poussée est active.** Prenez soin, quand l'assistance à la poussée est active, de garder une certaine distance entre vos pieds et les pédales. Il y a risque de blessure.

- ▶ **N'utilisez que les accus d'origine Bosch autorisés par le fabricant pour votre vélo électrique.** L'utilisation de tout autre accumulateur peut entraîner des blessures et des risques d'incendie. Bosch décline toute responsabilité et garantie dans le cas d'utilisation d'autres accus.
- ▶ **N'apportez aucune modification au système eBike de votre vélo électrique et ne montez aucun produit du commerce destiné à accroître les performances du système eBike.** Toute modification non autorisée du système peut entraîner des blessures graves ou mortelles.
- ▶ **Respectez toutes les réglementations locales, régionales et nationales spécifiques à l'autorisation et à l'utilisation de vélos électriques.**
- ▶ **Lisez et respectez les consignes de sécurité et les instructions de toutes les notices d'utilisation du système eBike, ainsi que la notice d'utilisation de votre eBike.**

Description et performances du produit

Utilisation conforme

L'unité d'entraînement est uniquement destinée à assurer l'entraînement de votre eBike. Toute autre utilisation est interdite.

Caractéristiques techniques

Unité d'entraînement	Drive Unit Cruise	
N° d'article		0 275 007 065
Puissance permanente nominale	W	250
Couple maxi. de l'entraînement	Nm	63
Tension nominale	V--	36
Température de fonctionnement	°F	+23... +104
Température de stockage	°F	+14... +122
Type de protection		IP 54 (étanche à la poussière et aux projections d'eau)
Poids, env.	lb	8,8

Unité d'entraînement		Drive Unit CX
N° d'article		0 275 007 038
Puissance permanente nominale	W	250
Couple maxi. de l'entraînement	Nm	75
Tension nominale	V=	36
Température de fonctionnement	°F	+23... +104
Température de stockage	°F	+14... +122
Type de protection		IP 54 (étanche à la poussière et aux projections d'eau)
Poids, env.	lb	8,8

Éclairage de vélo ¹⁾		
Tension env. ²⁾³⁾	V=	6/12
Puissance maximale		
– Feu avant	W	8,4/17,4
– Feu arrière	W	0,6/0,6

1) en fonction des prescriptions légales, pas possible dans toutes les versions nationales via l'accu du vélo électrique

2) La valeur de la tension est pré-réglée et ne peut être modifiée que chez un revendeur de vélos spécialisé.

3) Lors du changement des ampoules, veuillez à ce qu'elles soient compatibles avec le système eBike Bosch (demandez à votre revendeur) et à ce qu'elles correspondent à la tension indiquée. Ne remplacer des ampoules défectueuses que par des ampoules de même tension.

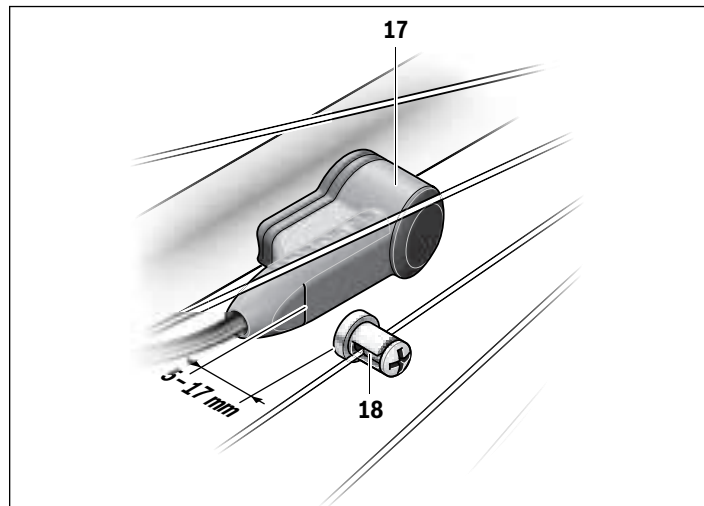
► **Les ampoules inappropriées risquent d'être détruites !**

Montage

Insertion et retrait de l'accu

Pour insérer l'accu dans l'eBike et pour le retirer, veuillez lire et respecter la notice d'utilisation de l'accu.

Contrôle du capteur de vitesse



17 Capteur de vitesse

18 Aimant de rayon du capteur de vitesse

Le capteur de vitesse **17** et l'aimant de rayon **18** doivent être montés de sorte à ce que l'aimant du rayon dépasse le capteur de vitesse à une distance de 5 mm min. et de 17 mm max. lorsque la roue tourne.

Note : Si la distance entre le capteur de vitesse **17** et l'aimant de rayon **18** est trop petite ou trop grande, ou si le capteur de vitesse **17** n'est pas correctement connecté, l'affichage du compteur de vitesse peut être défaillant et le système d'entraînement de l'eBike fonctionne alors en mode d'urgence.

Desserrer dans ce cas la vis de l'aimant **18** et fixez le au rayon de façon à ce qu'il passe à la bonne distance du repère du capteur de vitesse. S'il n'apparaît alors toujours aucune vitesse au niveau de l'affichage du compteur de vitesse, veuillez contacter un revendeur de vélos autorisé.

Mise en marche

Mise en service

Conditions préalables

Le système eBike ne peut être activé que si les conditions suivantes sont réunies :

- L'accu utilisé est suffisamment chargé (voir la notice d'utilisation de l'accu).
- L'ordinateur de bord est correctement inséré dans le support (reportez-vous à la notice d'utilisation de l'ordinateur de bord).
- Le capteur de vitesse est correctement branché (voir « Contrôle du capteur de vitesse », page Français – 4).

Mise marche/Arrêt du système eBike

Pour mettre le système eBike **en marche**, vous avez les possibilités suivantes :

- Si l'ordinateur de bord est déjà allumé lors de l'insertion dans le support, le système eBike se met en marche automatiquement.
- Une fois l'ordinateur de bord et l'accu eBike insérés, appuyez brièvement une fois sur le bouton Marche/Arrêt de l'ordinateur de bord.
- Lorsque l'ordinateur de bord est monté, appuyez sur la touche Marche/Arrêt de l'accu.

Après la mise en marche, le système eBike est en mode « **OFF** ». Sélectionnez le niveau d'assistance souhaité, puis roulez.

Le système d'entraînement est activé dès que vous appuyez sur les pédales. Le degré d'assistance est déterminé par les paramètres de configuration de l'ordinateur de bord.

Dès que vous arrêtez de pédaler ou dès que vous avez atteint une vitesse de 20 mph, l'unité d'entraînement du vélo électrique désactive l'assistance. L'assistance moteur est automatiquement activée à nouveau dès que vous pédalez et que la vitesse est inférieure à 20 mph.

Pour **arrêter** le système eBike, vous avez les possibilités suivantes :

- Appuyez sur le bouton Marche/Arrêt de l'ordinateur de bord.
- Éteignez l'accu en appuyant sur le bouton Marche/Arrêt de l'accu eBike (certains fabricants de vélos proposent des solutions sans accès possible au bouton Marche/Arrêt de l'accu ; voir la notice d'utilisation de l'accu).
- Retirez l'ordinateur de bord du support.

Après 10 min d'immobilité du vélo électrique **sans** actionnement d'aucune touche de l'ordinateur de bord, le système eBike s'éteint automatiquement pour économiser l'énergie.

eShift (option)

eShift indique qu'un système de passage de vitesses électronique est associé au système eBike. Les composants eShift sont reliés électriquement à l'unité d'entraînement par le fabricant. Les systèmes de passage de vitesses électroniques sont décrits dans une notice d'utilisation à part.

Réglage du niveau d'assistance

Vous pouvez configurer sur l'ordinateur de bord le niveau d'assistance du système d'entraînement de l'eBike lorsque vous pédalez. Le niveau d'assistance peut être modifié à tout moment, y compris au cours de la conduite.

Note : Dans certaines versions, il est possible que le niveau d'assistance soit préréglé et ne puisse pas être modifié. Il est également possible que moins de niveaux d'assistance soient disponibles qu'indiqués ici.

Si l'eBike a été doté du « **eMTB mode** » par le fabricant, le niveau d'assistance et le couple s'adaptent de manière dynamique en fonction de l'effort exercé sur les pédales. Le « **eMTB mode** » n'est disponible que pour les entraînements de la Performance Line CX.

Les niveaux d'assistance suivants sont disponibles :

- « **OFF** » : l'assistance électrique est désactivée, l'eBike peut être utilisé comme un vélo normal sans assistance. Dans ce niveau d'assistance, l'assistance à la poussée n'est pas activable.
- « **ECO** » : assistance effective avec efficacité maximale, pour portée maximale
- « **TOUR** » : assistance régulière, pour des tours de grande portée
- « **SPORT** »/« **eMTB** »
 - « **SPORT** » : assistance puissante, pour parcours sportifs sur des chemins montagneux ainsi que pour la circulation urbaine
 - « **eMTB** » : assistance optimale sur tous terrains, démarrage sportif, dynamique améliorée, performances maximales.
- « **TURBO** » : assistance maximale jusqu'à des fréquences de pédalage élevées, pour parcours sportifs

La puissance développée par le moteur s'affiche sur l'écran de l'ordinateur de bord (pas pour Purion). La puissance maximale du moteur dépend du niveau d'assistance sélectionné.

Niveau d'assistance	Facteur d'assistance ¹⁾ (dérailleur)	
	Cruise	CX
« ECO »	55 %	55 %
« TOUR »	120 %	120 %
« SPORT »/« eMTB »	190 %	210 % ... 300 % ²⁾
« TURBO »	275 %	300 %

1) Le facteur d'assistance peut différer pour certaines variantes.

2) Valeur maximale

Après la mise en marche, le système eBike est en mode « OFF ».

Allumer/éteindre l'assistance de poussée

L'assistance de poussée peut vous aider à pousser le vélo électrique. La vitesse possible avec cette fonction dépend de la vitesse passée et peut atteindre 3,7 mph au maximum. Plus vous passez une vitesse basse, moins élevée sera la vitesse de cette fonction d'assistance de poussée (à pleine puissance).

► **La fonction d'assistance de poussée ne doit être utilisée que quand vous poussez le vélo électrique.** Les roues du vélo électrique doivent être en contact avec le sol lorsque l'assistance de poussée est utilisée, sinon il y a danger de blessures.

Pour **activer** l'assistance de poussée, appuyez brièvement sur la touche « WALK » de votre ordinateur de bord. Après l'activation, appuyez dans les 3 secondes qui suivent sur la touche « + » et maintenez-la enfoncée. L'entraînement du vélo électrique est activé.

Note : Dans le niveau d'assistance « OFF », l'assistance à la poussée n'est pas activable.

L'assistance de poussée **se désactive** dès que l'une des situations suivantes se produit :

- Vous relâchez la touche « + »,
- les roues du vélo électrique se bloquent (par ex. lors d'un freinage ou d'un choc contre un obstacle),
- la vitesse devient supérieure à 3,7 mph.

Note : Sur certains systèmes, l'assistance de poussée peut être directement activée en appuyant sur la touche « WALK ».

Allumer/éteindre l'éclairage du vélo

Sur les modèles où l'éclairage est alimenté par le système eBike, les phares avant et arrière peuvent être allumés et éteints simultanément via l'ordinateur de bord.

Entretien/nettoyage

⚠ AVERTISSEMENT

- ▶ **N'ouvrez aucun élément. L'entretien doit uniquement être effectué par un revendeur eBike Bosch autorisé.** Le fait de ne pas respecter l'avertissement ci-dessus peut entraîner des blessures graves ou mortelles. Reportez-vous au manuel de votre vélo ou au manuel de l'élément pour tous les éléments ne faisant pas partie du système d'entraînement Bosch.
- ▶ **Retirez toujours l'accu avant d'inspecter un vélo, de procéder à son entretien ou à sa réparation.** Le fait de ne pas retirer l'accu avant d'inspecter un vélo, de procéder à son entretien ou à sa réparation peut entraîner des blessures graves.
- ▶ **Si vous suspectez une défaillance, n'utilisez pas votre vélo.** Consultez votre revendeur eBike Bosch, seul un revendeur qualifié doit intervenir sur votre système d'entraînement Bosch. Tous les écrous, les boulons et les vis requièrent une force de serrage correcte. Une force de serrage trop faible ne permet pas la fixation sécurisée des composants. Une force de serrage excessive risque au contraire de briser les filets, et d'étendre, de déformer ou de casser les éléments de fixation. D'une manière ou d'une autre, une force de serrage incorrecte peut entraîner une défaillance de l'élément, ce qui peut vous faire perdre le contrôle de votre vélo et vous faire tomber.
- ▶ **Si vous remplacez votre batterie, achetez uniquement un accu Bosch d'origine auprès d'une source fiable et approuvée. Contactez votre revendeur eBike Bosch pour les pièces Bosch d'origine.**
- ▶ **Arrêtez toujours l'accu lorsque vous le montez ou le retirez de son support.** Ne tentez jamais de monter ni de retirer l'accu lorsque vous roulez à vélo.
- ▶ **Ne rechargez pas et n'utilisez pas votre eBike dans une zone présentant une atmosphère potentiellement explosive, par exemple dans une station-service ou dans des zones dans lesquelles l'air contient des produits chimiques ou des particules (telles que des grains, de la poussière ou des poudres métalliques).** Respectez tous les panneaux et toutes les instructions.
- ▶ **Ne plongez pas vos composants eBike dans l'eau et ne les lavez pas avec un pulvérisateur haute pression.** Votre unité d'entraînement Bosch est conçue pour être étanche à l'eau de pluie ou à un tuyau d'arrosage sans pression.

- ▶ **Notez le nom du fabricant et le numéro de la clé.** Si vous perdez les clés, contactez un revendeur eBike Bosch autorisé. Veuillez fournir le nom du fabricant et le numéro de la clé.
- ▶ **Ne peignez aucun élément du système d'entraînement Bosch car cela peut entraîner une défaillance prématurée de l'élément.**

Maniement soigneux du vélo électrique

Respectez les températures de fonctionnement et de stockage des composants de l'eBike. Protégez l'unité d'entraînement, l'ordinateur de bord et l'accu des températures extrêmes (par exemple d'une exposition intense aux rayons du soleil sans ventilation simultanée). Les composants (notamment l'accu) peuvent être endommagés par une exposition à des températures extrêmes.

Faites contrôler votre système eBike au moins une fois par an sur le plan technique (partie mécanique, actualité du logiciel système, etc.).

Pour le Service Après-Vente ou des réparations sur votre vélo électrique, adressez-vous à un vélociste autorisé.

Service Après-Vente et Assistance Clients

Pour toutes les questions concernant le système eBike et ses éléments, adressez-vous à un vélociste autorisé.

Vous trouverez les données de contact de vélocistes autorisés sur le site internet www.bosch-ebike.com

Si l'accu ne peut plus fonctionner, veuillez vous adresser à un vélociste autorisé.

Nettoyage

- ▶ **Ne plongez pas vos composants eBike dans l'eau et ne les lavez pas avec un pulvérisateur haute pression.** Votre unité d'entraînement Bosch est conçue pour être étanche à l'eau de pluie ou à un tuyau d'arrosage sans pression.

Maintenez tous les éléments de votre vélo électrique propres, surtout les contacts de l'accu et les supports de fixation.

Ne plongez pas dans l'eau les éléments, y compris l'unité de l'entraînement et ne les nettoyez pas à l'aide d'un nettoyeur haute pression. Maintenez tous les éléments de votre vélo électrique propres, surtout les contacts de l'accu et les supports de fixation. Nettoyez-les soigneusement à l'aide d'un chiffon doux et humide (en utilisant uniquement du savon doux et de l'eau).

Performance Line

28 mph



Owner's Manual – The Bosch Drive System (28 mph)

Drive Unit | On-board computer | PowerPack | Charger

0 275 007 041 | 1 270 020 906/909/916/917 | 0 275 007 524/525/526/533...536/538 | 0 275 007 906/915



BOSCH

fr Notice originale



Cette notice contient d'importantes informations sur la sécurité, les performances et l'entretien. Lisez-les et comprenez-les ainsi que les informations fournies par le fabricant de votre vélo avant d'utiliser le produit, et conservez-les pour référence ultérieure.

Âge: 18+



Introduction

Merci d'avoir acheté un vélo équipé du système d'entraînement Bosch !

L'équipe eBike Systems de Bosch apprécie de vous compter parmi ses clients et vous souhaite de nombreuses années d'utilisation de votre vélo en toute sécurité et pour votre entière satisfaction.

Avertissements généraux



Lisez tous les avertissements de sécurité et toutes les instructions. Le fait de ne pas respecter les avertissements et les instructions peut entraîner des blessures graves ou mortelles.

Conservez tous les avertissements et toutes les instructions pour pouvoir s'y reporter ultérieurement.

Le terme « accu » utilisé dans cette notice d'utilisation se réfère aussi bien aux accus standards (accus avec fixation sur le cadre du vélo) qu'aux accus du porte-bagages (accus avec fixation dans le porte-bagages).

À propos des avertissements

Ce manuel contient de nombreuses mises en garde (« **DANGER** », « **AVERTISSEMENT** » et « **ATTENTION** ») portant sur les conséquences liées au non-respect des instructions relatives à l'utilisation, au montage, à l'entretien, au stockage, à l'inspection et à la mise au rebut d'un eBike équipé Bosch de manière sécurisée.

L'association du symbole d'alerte de sécurité au mot « **DANGER** » indique une situation dangereuse qui, à défaut d'être évitée, **entraînera** des blessures graves ou mortelles.

L'association du symbole d'alerte de sécurité au mot « **AVERTISSEMENT** » indique une situation dangereuse qui, à défaut d'être évitée, **peut entraîner** des blessures graves ou mortelles.

L'association du symbole d'alerte de sécurité au mot « **ATTENTION** » indique une situation dangereuse qui, à défaut d'être évitée, peut entraîner des blessures légères ou modérées.

AVERTISSEMENT

- **Le système d'entraînement Bosch est conçu pour être utilisé par des personnes âgées au minimum de 18 ans.** Les conducteurs doivent détenir les capacités mentales, de coordination physique et de réaction nécessaires pour conduire un vélo et gérer le trafic, les conditions de circulation et les situations imprévues tout en respectant les lois et les réglementations inhérentes à la conduite d'un vélo.

- **Cette notice contient d'importantes informations sur la sécurité, les performances et l'entretien.** Veuillez la lire avant d'utiliser votre vélo pour la première fois, et la conserver pour référence ultérieure. Vous pouvez également retrouver cette notice en ligne à l'adresse www.bosch-ebike.com.
- **Cette notice est destinée à être lue conjointement avec le manuel utilisateur séparé fourni avec votre vélo.** Assurez-vous de lire tous les documents fournis y compris les étiquettes apposées sur le produit avant la première utilisation.
- **Lisez TOUS les manuels et TOUTES les notices jointes avant d'utiliser votre vélo pour la première fois.** Votre système d'entraînement Bosch est livré avec d'autres manuels et documents fournis par le fabricant du vélo et des autres éléments. Ne pas lire ou ne pas comprendre les informations de sécurité peut entraîner des blessures graves ou mortelles.
- **Assumez la responsabilité de votre propre SÉCURITÉ.** En cas de question ou d'incompréhension, contactez votre revendeur ou le fabricant du vélo ou de l'élément.
- **Certains accessoires de l'eBike peuvent présenter un risque d'étouffement pour les petits enfants.** Conservez ces accessoires hors de portée des enfants.

ATTENTION

- **Le système d'entraînement Bosch alourdit votre vélo. Vous n'avez peut-être pas l'habitude de le soulever.** Évitez de vous blesser en utilisant des techniques de levage appropriées.

Utilisation de votre notice d'utilisation

Votre notice d'utilisation se compose de plusieurs parties :

- une notice d'utilisation pour le système eBike Bosch (cette notice)
 - une notice d'utilisation pour l'unité d'entraînement
 - une notice d'utilisation pour l'ordinateur de bord
 - une notice d'utilisation pour le chargeur
 - une notice d'utilisation pour l'accu
- **Lisez et respectez les consignes de sécurité et les instructions de toutes les notices d'utilisation du système eBike, ainsi que la notice d'utilisation de votre eBike.**

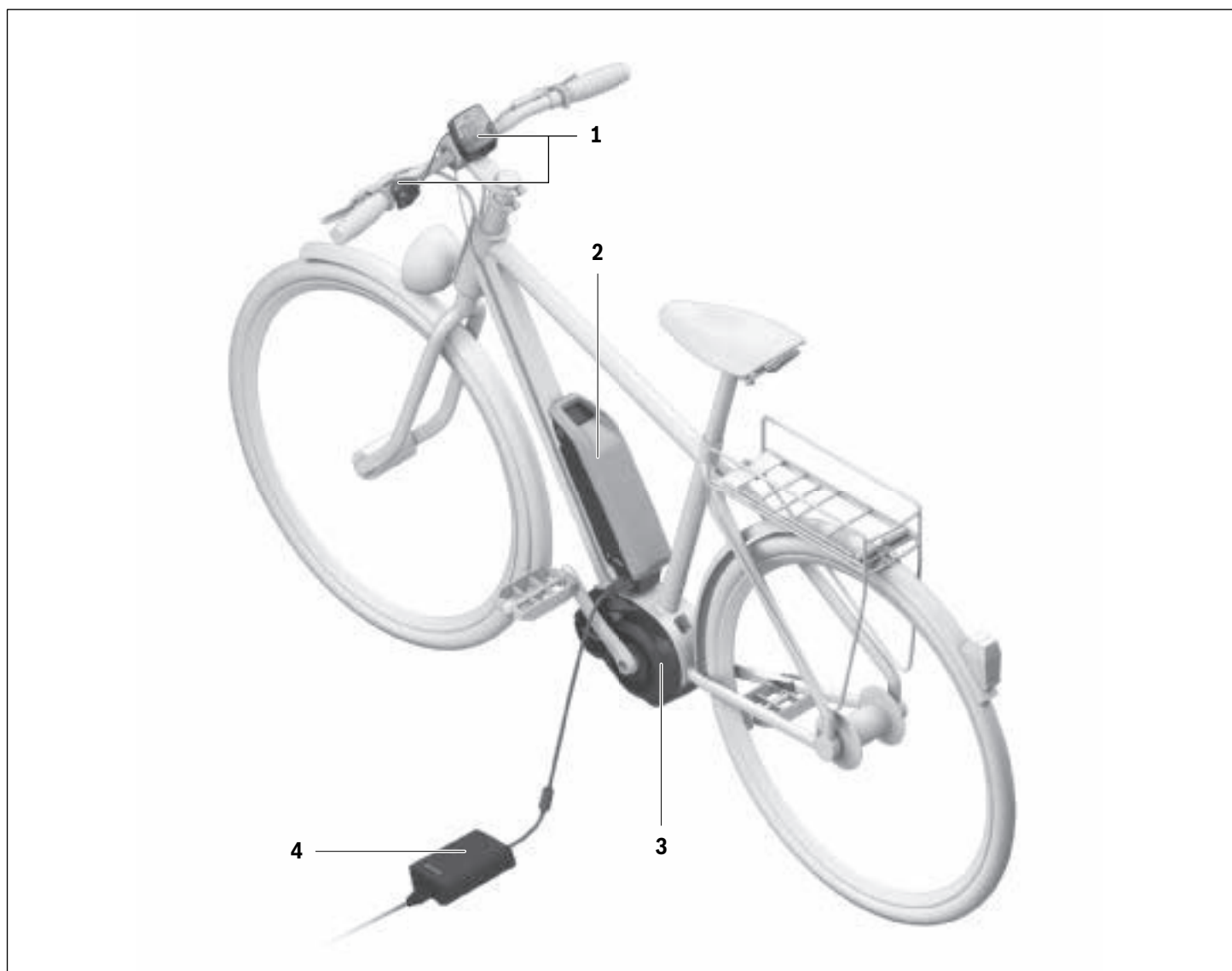
Graphiques

Le vélo illustré dans cette notice peut être légèrement différent de votre vélo, mais il est suffisamment similaire pour vous permettre de comprendre nos instructions.

Les côtés DROIT et GAUCHE sont déterminés en se plaçant en situation, dans le sens de la marche du vélo. Lorsqu'une ligne en pointillé (-----) apparaît, l'élément auquel il est fait référence n'est pas visible.

Vue d'ensemble du système d'entraînement Bosch

Vue du vélo (standard)

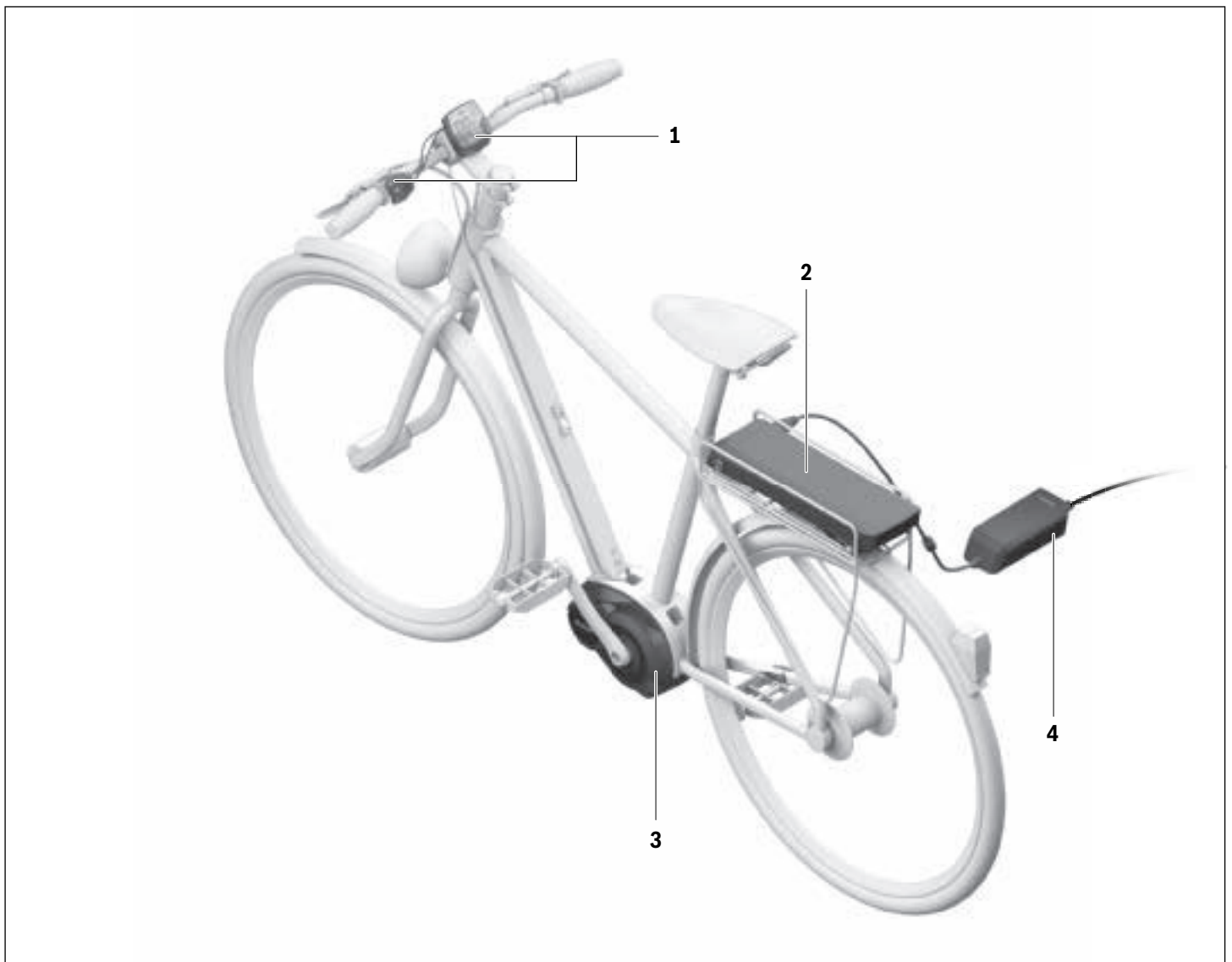


Éléments du système d'entraînement Bosch

Toutes les représentations des éléments du vélo, à l'exception des éléments de l'eBike, sont schématiques et peuvent être différentes de votre eBike.

- 1 Ordinateur de bord
- 2 Accu standard « PowerPack »
- 3 Unité d'entraînement
- 4 Chargeur

Vue du vélo (type de support)



Éléments du système d'entraînement Bosch

Toutes les représentations des éléments du vélo, à l'exception des éléments de l'eBike, sont schématiques et peuvent être différentes de votre eBike.

- 1 Ordinateur de bord
- 2 Accu de porte-bagages « PowerPack »
- 3 Unité d'entraînement
- 4 Chargeur

Étiquettes d'avertissement sur le produit

A

	<p>⚠ WARNING Avoid Serious Injury or Death</p> <ul style="list-style-type: none"> • Read owner's manuals and all warnings before first ride! • Do not ride unless you are proficient / skilled in the activity of road cycling. • No operators under 18 years of age.
	<p>⚠ AVERTISSEMENT Évitez toute blessure grave ou fatale</p> <ul style="list-style-type: none"> • Lisez les manuels d'utilisation et tous les avertissements avant la première utilisation • Ne pas utiliser si vous manquez d'expérience/de compétence en matière de cyclisme sur route. • Utilisation interdite avant 18 ans.
	<p>⚠ ADVERTENCIA Cómo evitar lesiones graves o la muerte</p> <ul style="list-style-type: none"> • Lea el manual de usuario y todas las advertencias antes de utilizar la bicicleta por primera vez. • No utilice la bicicleta a menos que sea experto en ciclismo en carretera. • El producto no es apto para menores de 18 años.

A Consignes de sécurité sur l'entraînement eBike

- **Des étiquettes d'avertissement ont été placées sur le système eBike de Bosch pour votre sécurité. Lisez attentivement et observez les consignes figurant sur ces étiquettes. Au cas où une étiquette venait à se décoller ou à devenir illisible, adressez-vous à votre revendeur Bosch pour obtenir une étiquette de remplacement.** Les étiquettes de sécurité de rechange sont fournies gratuitement par Bosch.

Utilisation de votre système d'entraînement Bosch

Préparez-vous à rouler

⚠ AVERTISSEMENT

- ▶ **Lisez et comprenez tous les avertissements et toutes les instructions.** Le fait de ne pas respecter les avertissements ci-dessous peut entraîner des blessures graves ou mortelles.
- ▶ **Protégez les autres personnes contre les blessures graves ou mortelles. Empêchez toute utilisation non autorisée.** Retirez toujours la batterie du vélo lorsqu'ils ne sont pas utilisés et rangez-les dans un endroit sûr. Le fait de ne pas sécuriser votre vélo contre toute utilisation non autorisée peut entraîner des blessures graves ou mortelles chez d'autres personnes.

Avant la première utilisation

Consultez le manuel de votre vélo pour connaître toutes les informations importantes relatives aux éléments du vélo tels que les freins, les pédales, les changements de vitesses, etc.

⚠ AVERTISSEMENT

- ▶ **Si vous souffrez d'un handicap, d'une déficience visuelle, auditive, physique ou cognitive, de troubles du langage ou de troubles épileptiques, consultez votre médecin avant d'utiliser ce produit.**
- ▶ **Pour réduire le risque d'accident grave lié à la pratique d'un exercice physique, suivez les précautions indiquées ci-dessous avant d'utiliser le produit : Ne vous surmenez pas.** L'utilisation du système d'entraînement Bosch exige la pratique d'une activité physique plus ou moins régulière.
Consultez un médecin avant d'utiliser le système si vous avez un problème de santé affectant votre capacité à pratiquer sans risque des activités physiques ou si :
 - vous êtes enceinte
 - vous avez un problème cardiaque, respiratoire, articulaire, de dos ou tout autre problème orthopédique
 - vous faites de l'hypertension
 - vous éprouvez des difficultés à pratiquer des exercices physiques
 - il vous a été demandé de limiter vos activités physiques

- ▶ **Le port d'un casque peut prévenir des blessures graves à la tête. Lorsque vous faites du vélo, portez toujours un casque qui respecte ou dépasse les normes de sécurité en vigueur.** Aux États-Unis, les casques doivent être conformes à la norme de la Commission américaine sur la sécurité des produits (US Consumer Product Safety Commission). Assurez-vous donc de la présence d'un label CPSC.
- ▶ **L'utilisation d'un vélo électrique équipé d'un système d'entraînement Bosch, capable d'atteindre des vitesses de l'ordre de 28 mph, exige de posséder une certaine expérience de la pratique du vélo sur route.** Ce produit peut vous permettre de rouler à des vitesses supérieures à celles pouvant normalement être atteintes sans assistance électrique. Il vous permet aussi de rouler pendant plus longtemps à de plus grandes vitesses. Plus la vitesse est élevée, plus les forces qui entrent en jeu lors d'une collision ou d'un accident sont importantes. Gardez le contrôle de votre vélo en toutes circonstances. Le risque d'accidents graves voir mortels augmente avec la vitesse et avec l'âge.

Prérequis pour pouvoir utiliser ce produit en toute sécurité :

- Bien connaître les lois/règles et consignes de sécurité relatives à la pratique du vélo sur route
- Savoir utiliser et parfaitement maîtriser un vélo de route conventionnel
- Être un cycliste expérimenté, habitué à rouler en vélo
- Être capable de rouler en toute confiance et en toute sécurité jusqu'à une vitesse de 28 mph
- Votre vélo doit être adapté à votre style de conduite, à votre taille et à votre corpulence et être bien entretenu.
- ▶ **N'utilisez pas ce produit sous l'emprise de médicaments et/ou d'alcool.**
- ▶ **Lorsque vous roulez, ne vous laissez pas distraire par l'ordinateur de bord et restez toujours attentif en toutes circonstances.** L'ordinateur de bord doit uniquement être utilisé dans une position stationnaire ou de démarrage sécurisé. Utilisez l'unité de commande pour changer les niveaux d'assistance moteur pendant que vous roulez.

- ▶ **Consultez le manuel de votre vélo pour connaître le poids maximal de votre vélo.** L'excès de poids sur votre vélo peut entraîner une défaillance d'un élément et par là-même des blessures graves ou mortelles. Le poids maximal est généralement défini par le total du poids du conducteur et le poids des éventuels bagages.
- ▶ **Outre le fait d'avoir lu et bien compris le contenu de la notice d'utilisation, assurez-vous de bien connaître les lois en vigueur dans votre pays avant d'utiliser ce produit. Refamiliarisez-vous si nécessaire avec les lois et réglementations en vigueur.** Demandez conseil à votre revendeur, renseignez-vous dans une bibliothèque près de chez vous ou achetez dans une librairie un guide d'apprentissage répondant à vos besoins.

Utilisation conforme

⚠ AVERTISSEMENT

- ▶ **Apprenez à connaître votre vélo et à l'utiliser en consultant le manuel de votre vélo.** Utiliser votre vélo de manière incorrecte et pour un usage auquel il n'est pas destiné peut entraîner des blessures graves ou mortelles.
- ▶ **Le fait d'utiliser le système d'entraînement Bosch à des fins autres que celles pour lesquelles il a été conçu peut entraîner des blessures graves ou mortelles.**

Cycliste confirmé (âgé de 18 ans et plus) roulant sur des surfaces à revêtement dur sur lesquelles les pneus sont toujours en contact avec le sol ; voies de circulation, pistes cyclables empruntables d'après la loi par les vélos électriques (pas les voies réservées à la fois aux cyclistes et aux piétons, ni les trottoirs). Pas de remorquage.

Votre unité d'entraînement Bosch n'est pas conçue pour remorquer un autre vélo. Pour l'attelage de remorque, consultez le manuel de votre vélo et le manuel de la remorque pour obtenir des instructions sur le remorquage et la compatibilité de remorquage.

Procédure de démarrage sûre

⚠ AVERTISSEMENT

- ▶ **Respectez la procédure de démarrage sûre ci-dessous.** Le non-respect de la procédure de démarrage sûre peut entraîner des blessures graves ou mortelles.

Préparations

Avant de commencer, vérifiez ce qui suit :

- Le chargeur de batterie est bien débranché du vélo
- Votre accu est verrouillé en place (tirez sur l'accu pour vous assurer qu'il est verrouillé en place)
- Retirez la clé du verrou de l'accu

Commencer à rouler

- Asseyez-vous sur la selle, en posant les deux pieds au sol et les deux mains sur le guidon.
- Une fois que vous êtes dans une position stable, allumez l'ordinateur de bord Bosch. Le système d'entraînement Bosch démarre toujours en mode « **OFF** ».
- Placez les deux mains sur le guidon et commencez à pédaler.

Instructions pour utiliser le système eBike

Quand est-ce que l'entraînement du vélo électrique travaille ?

L'entraînement du vélo électrique vous aide pendant votre course tant que vous pédalez. Sans pédaler, aucune assistance. La puissance du moteur dépend toujours de la force appliquée lorsque vous pédalez.

Si vous appliquez peu de force, l'assistance est moins forte que lorsque vous appliquez plus de force. Et cela indépendamment du niveau d'assistance.

L'assistance moteur du vélo électrique s'arrête automatiquement à une vitesse supérieure à 28 miles par heure. Si la vitesse tombe au-dessous de 28 miles par heure, l'assistance moteur est automatiquement à nouveau disponible.

Vous pouvez à tout moment utiliser le vélo électrique comme un vélo normal sans assistance, si vous éteignez le système eBike ou si vous mettez le niveau d'assistance sur « **OFF** ». Il en va de même si l'accu est vide.

Interaction entre le système eBike et la vitesse

Même avec entraînement de vélo électrique vous devriez utiliser la vitesse comme pour un vélo normal (respectez la notice d'utilisation de votre vélo électrique).

Indépendamment du type de vitesse, il est recommandé d'arrêter brièvement de pédaler pendant que vous changez de vitesse. Ceci facilite le changement de vitesse et réduit l'usure de l'arbre d'entraînement.

En choisissant la vitesse appropriée, vous pouvez augmenter la vitesse et la portée en appliquant la même force.

Essayez la portée de votre vélo électrique dans différentes conditions avant de planifier un parcours long et exigeant.

- **Lisez et comprenez la section « Influences sur la portée » ci-dessous avant de planifier votre sortie.**

Influences sur la portée

La distance restante est influencée par de nombreux facteurs, tels que, par exemple :

- Niveau d'assistance,
- Vitesse,
- Rapport de vitesses,
- Type de pneus et de pression de pneus,
- Âge et état d'entretien de l'accu,
- Le profil (pentes) et la nature (revêtement de la chaussée) du parcours,
- Vent contraire et température ambiante,
- Poids de l'eBike, du conducteur et des bagages.

C'est pourquoi il n'est pas possible de prédire avec exactitude l'autonomie avant un trajet et pendant un trajet.

Règles générales :

- Avec un niveau d'assistance **identique** de l'entraînement de l'eBike, moins vous aurez à forcer pour atteindre une certaine vitesse (par exemple, via une utilisation optimale de commutateur de vitesses), moins l'entraînement de l'eBike aura besoin d'énergie et plus importante sera la distance restante d'une charge de l'accu.
- Plus le niveau d'assistance sélectionné sera **élevé**, même dans des conditions constantes, moins l'autonomie sera grande.

Note : Programmez vos trajets de sorte à pouvoir arriver à destination à tout moment même sans assistance moteur.

Transport

⚠ AVERTISSEMENT

- **Si vous devez transporter votre eBike à l'extérieur de votre voiture, par exemple, sur une galerie de toit, retirez l'ordinateur de bord et l'accu de l'eBike afin d'éviter tout dommage.** (Les ordinateurs de bord qui se sont pas insérables dans un support ne peuvent pas être retirés du vélo. En pareil cas, l'ordinateur de bord peut rester sur le vélo.)
- **Retirez toujours l'accu du vélo avant de transporter le vélo sur un porte-vélos.** Le fait de ne pas retirer l'accu lorsque vous utilisez un porte-vélos peut entraîner des blessures graves ou mortelles. La batterie peut se détacher pendant le transport et provoquer un accident avec les véhicules environnants.
- **Utilisez toujours un porte-vélos compatible et approuvé lorsque vous transportez votre eBike. Le système d'entraînement Bosch représente un poids supplémentaire pour votre vélo.** Reportez-vous au manuel de votre porte-vélo pour vous assurer que votre eBike est compatible. L'excès de poids sur un porte-vélos peut entraîner des blessures graves ou mortelles.
- **Utilisez des techniques de lavage correctes car les vélos électriques sont généralement plus lourds que les vélos traditionnels.**

Expédiez les accus uniquement si leur boîtier n'est pas endommagé. Protégez les contacts et emballez l'accu de manière à ce qu'il ne puisse pas se déplacer dans l'emballage. Prévenez l'expéditeur qu'il s'agit d'un produit classé comme matière dangereuse. Veuillez également respecter les réglementations supplémentaires éventuellement en vigueur dans votre pays. Vérifiez toujours les réglementations départementales et nationales avant de tenter d'expédier votre batterie.

Pour toute question concernant le transport de l'accu, adressez-vous à un vélociste autorisé. Vous pouvez également commander un emballage de transport approprié auprès d'un commerçant spécialisé.

Entretien/nettoyage

⚠ AVERTISSEMENT

- ▶ **Les éléments de votre système d'entraînement Bosch ne nécessitent aucun entretien.** N'ouvrez aucun élément. L'entretien doit uniquement être effectué par un revendeur eBike Bosch autorisé. Le fait de ne pas respecter l'avertissement ci-dessus peut entraîner des blessures graves ou mortelles. Reportez-vous au manuel de votre vélo ou au manuel de l'élément pour tous les éléments ne faisant pas partie du système d'entraînement Bosch.
- ▶ **Retirez toujours l'accu avant d'inspecter un vélo, de procéder à son entretien ou à sa réparation.** Le fait de ne pas retirer l'accu avant d'inspecter un vélo, de procéder à son entretien ou à sa réparation peut entraîner des blessures graves.
- ▶ **Si vous suspectez une défaillance, n'utilisez pas votre vélo.** Consultez votre revendeur eBike Bosch, seul un revendeur qualifié doit intervenir sur votre système d'entraînement Bosch. Tous les écrous, les boulons et les vis requièrent une force de serrage correcte. Une force de serrage trop faible ne permet pas la fixation sécurisée des composants. Une force de serrage excessive risque au contraire de briser les filets, et d'étendre, de déformer ou de casser les éléments de fixation. D'une manière ou d'une autre, une force de serrage incorrecte peut entraîner une défaillance de l'élément, ce qui peut vous faire perdre le contrôle de votre vélo et vous faire tomber.
- ▶ **Si vous remplacez votre batterie, achetez uniquement un accu Bosch d'origine auprès d'une source fiable et approuvée. Contactez votre revendeur eBike Bosch pour les pièces Bosch d'origine.**
- ▶ **Arrêtez toujours l'accu lorsque vous le montez ou le retirez de son support.** Ne tentez jamais de monter ni de retirer l'accu lorsque vous roulez à vélo.
- ▶ **Ne rechargez pas et n'utilisez pas votre eBike dans une zone présentant une atmosphère potentiellement explosive, par exemple dans une station-service ou dans des zones dans lesquelles l'air contient des produits chimiques ou des particules (telles que des grains, de la poussière ou des poudres métalliques).** Respectez tous les panneaux et toutes les instructions.
- ▶ **Ne plongez pas vos composants eBike dans l'eau et ne les lavez pas avec un pulvérisateur haute pression.** Votre unité d'entraînement Bosch est conçue pour être étanche à l'eau de pluie ou à un tuyau d'arrosage sans pression.

- ▶ **Notez le nom du fabricant et le numéro de la clé.** Si vous perdez les clés, contactez un revendeur eBike Bosch autorisé. Veuillez fournir le nom du fabricant et le numéro de la clé.
- ▶ **Ne peignez aucun élément du système d'entraînement Bosch car cela peut entraîner une défaillance prématurée de l'élément.**

Maniement soigneux du vélo électrique

Respectez les températures de fonctionnement et de stockage des composants de l'eBike. Protégez l'unité d'entraînement, l'ordinateur de bord et l'accu des températures extrêmes (par exemple d'une exposition intense aux rayons du soleil sans ventilation simultanée). Les composants (notamment l'accu) peuvent être endommagés par une exposition à des températures extrêmes.

Faites contrôler votre système eBike au moins une fois par an sur le plan technique (partie mécanique, actualité du logiciel système, etc.).

Pour le Service Après-Vente ou des réparations sur votre vélo électrique, adressez-vous à un vélociste autorisé.

Service Après-Vente et Assistance Clients

Pour toutes les questions concernant le système eBike et ses éléments, adressez-vous à un vélociste autorisé.

Vous trouverez les données de contact de vélocistes autorisés sur le site internet www.bosch-ebike.com

Si l'accu ne peut plus fonctionner, veuillez vous adresser à un vélociste autorisé.

Nettoyage

- ▶ **Ne plongez pas vos composants eBike dans l'eau et ne les lavez pas avec un pulvérisateur haute pression.** Votre unité d'entraînement Bosch est conçue pour être étanche à l'eau de pluie ou à un tuyau d'arrosage sans pression.

Maintenez tous les éléments de votre vélo électrique propres, surtout les contacts de l'accu et les supports de fixation.

Ne plongez pas dans l'eau les éléments, y compris l'unité de l'entraînement et ne les nettoyez pas à l'aide d'un nettoyeur haute pression. Maintenez tous les éléments de votre vélo électrique propres, surtout les contacts de l'accu et les supports de fixation. Nettoyez-les soigneusement à l'aide d'un chiffon doux et humide (en utilisant uniquement du savon doux et de l'eau).

Programme de recyclage des accus

Avertissements généraux

Élimination des déchets



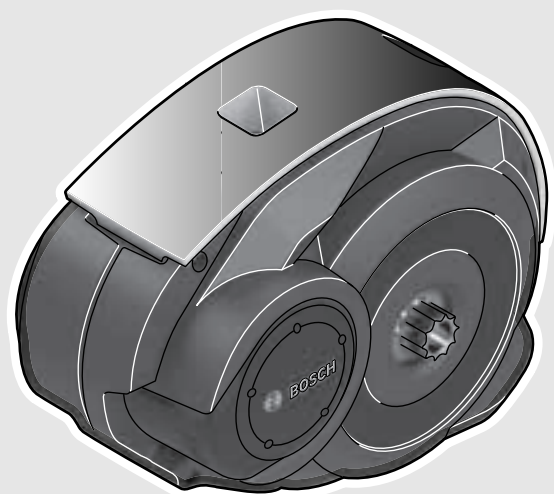
L'unité d'entraînement, l'ordinateur de bord et son unité de commande, l'accu, le capteur de vitesse, les accessoires et l'emballage doivent être triés afin d'être recyclés de façon respectueuse de l'environnement.

Ne jetez pas les vélos électriques et leurs éléments dans les ordures ménagères !



Vous pouvez recycler votre accu Bosch en appelant le 1.800.822.8837.

Performance Line



Owner's Manual – The Bosch Drive System (28 mph) Drive Unit

BDU290P: 0 275 007 041



BOSCH

fr Notice originale



Cette notice contient d'importantes informations sur la sécurité, les performances et l'entretien. Lisez-les et comprenez-les ainsi que les informations fournies par le fabricant de votre vélo avant d'utiliser le produit, et conservez-les pour référence ultérieure.



Introduction

Merci d'avoir acheté un vélo équipé du système d'entraînement Bosch !

L'équipe eBike Systems de Bosch apprécie de vous compter parmi ses clients et vous souhaite de nombreuses années d'utilisation de votre vélo en toute sécurité et pour votre entière satisfaction.

Avertissements généraux



Lisez tous les avertissements de sécurité et toutes les instructions. Le fait de ne pas respecter les avertissements et les instructions peut entraîner des blessures graves ou mortelles.

Conservez tous les avertissements et toutes les instructions pour pouvoir s'y reporter ultérieurement.

Le terme « accu » utilisé dans cette notice d'utilisation se réfère aussi bien aux accus standards (accus avec fixation sur le cadre du vélo) qu'aux accus du porte-bagages (accus avec fixation dans le porte-bagages).

À propos des avertissements

Ce manuel contient de nombreuses mises en garde (« **DANGER** », « **AVERTISSEMENT** » et « **ATTENTION** ») portant sur les conséquences liées au non-respect des instructions relatives à l'utilisation, au montage, à l'entretien, au stockage, à l'inspection et à la mise au rebut d'un eBike équipé Bosch de manière sécurisée.

L'association du symbole d'alerte de sécurité au mot « **DANGER** » indique une situation dangereuse qui, à défaut d'être évitée, **entraînera** des blessures graves ou mortelles.

L'association du symbole d'alerte de sécurité au mot « **AVERTISSEMENT** » indique une situation dangereuse qui, à défaut d'être évitée, **peut entraîner** des blessures graves ou mortelles.

L'association du symbole d'alerte de sécurité au mot « **ATTENTION** » indique une situation dangereuse qui, à défaut d'être évitée, peut entraîner des blessures légères ou modérées.

AVERTISSEMENT

- **Cette notice contient d'importantes informations sur la sécurité, les performances et l'entretien.** Veuillez la lire avant d'utiliser votre vélo pour la première fois, et la conserver pour référence ultérieure. Vous pouvez également retrouver cette notice en ligne à l'adresse www.bosch-ebike.com.

- **Cette notice est destinée à être lue conjointement avec le manuel utilisateur séparé fourni avec votre vélo.** Assurez-vous de lire tous les documents fournis y compris les étiquettes apposées sur le produit avant la première utilisation.
- **Lisez TOUS les manuels et TOUTES les notices jointes avant d'utiliser votre vélo pour la première fois.** Votre système d'entraînement Bosch est livré avec d'autres manuels et documents fournis par le fabricant du vélo et des autres éléments. Ne pas lire ou ne pas comprendre les informations de sécurité peut entraîner des blessures graves ou mortelles.
- **Assumez la responsabilité de votre propre SÉCURITÉ.** En cas de question ou d'incompréhension, contactez votre revendeur ou le fabricant du vélo ou de l'élément.
- **Certains accessoires de l'eBike peuvent présenter un risque d'étouffement pour les petits enfants.** Conservez ces accessoires hors de portée des enfants.

ATTENTION

- **Le système d'entraînement Bosch alourdit votre vélo. Vous n'avez peut-être pas l'habitude de le soulever.** Évitez de vous blesser en utilisant des techniques de levage appropriées.

Utilisation de votre notice d'utilisation

Graphiques

Le vélo illustré dans cette notice peut être légèrement différent de votre vélo, mais il est suffisamment similaire pour vous permettre de comprendre nos instructions.

Les côtés DROIT et GAUCHE sont déterminés en se plaçant en situation, dans le sens de la marche du vélo. Lorsqu'une ligne en pointillé (-----) apparaît, l'élément auquel il est fait référence n'est pas visible.

Utilisation de votre unité d'entraînement

Avertissements de sécurité



Lisez et comprenez tous les avertissements et toutes les instructions. Le fait de ne pas respecter les avertissements ci-dessous peut entraîner des blessures graves ou mortelles.

Conservez tous les avertissements et toutes les instructions pour pouvoir s'y reporter ultérieurement.

Le terme « accu » utilisé dans cette notice d'utilisation se réfère aussi bien aux accus standards (accus avec fixation sur le cadre du vélo) qu'aux accus du porte-bagages (accus avec fixation dans le porte-bagages).

- ▶ **N'ouvrez pas vous-même l'unité d'entraînement. Les réparations de l'unité d'entraînement doivent être confiées à un revendeur qualifié utilisant uniquement des pièces de rechange d'origine.** Cela permet de préserver le bon fonctionnement de l'unité d'entraînement. Une ouverture non autorisée de l'unité d'entraînement annule la garantie.
- ▶ **Tous les éléments montés sur l'unité d'entraînement et tous les autres éléments de l'entraînement du vélo électrique (par ex. plateau, fixation du plateau, pédales) ne doivent être remplacés que par des éléments d'un type similaire ou spécialement autorisés par le fabricant de vélo pour votre vélo électrique.** Ceci permet de protéger l'unité d'entraînement d'une surcharge et de dommages.
- ▶ **Retirez l'accu de l'eBike avant de commencer à travailler (par ex. inspection, réparation, montage, entretien, travaux au niveau de la chaîne, etc.) sur l'eBike, de le transporter en voiture ou en avion ou de le ranger.** Une activation involontaire du système eBike risque de provoquer des blessures.
- ▶ **Le système eBike peut s'allumer lorsque vous reculez votre eBike.**
- ▶ **La fonction d'assistance de poussée ne doit être utilisée que quand vous poussez le vélo électrique.** Les roues du vélo électrique doivent être en contact avec le sol lorsque l'assistance de poussée est utilisée, sinon il y a danger de blessures.
- ▶ **N'utilisez que les accus d'origine Bosch autorisés par le fabricant pour votre vélo électrique.** L'utilisation de tout autre accumulateur peut entraîner des blessures et des risques d'incendie. Bosch décline toute responsabilité et garantie dans le cas d'utilisation d'autres accus.
- ▶ **N'apportez aucune modification au système eBike de votre vélo électrique et ne montez aucun produit du commerce destiné à accroître les performances du système eBike.** Toute modification non autorisée du système peut entraîner des blessures graves ou mortelles.
- ▶ **Respectez toutes les réglementations locales, régionales et nationales spécifiques à l'autorisation et à l'utilisation de vélos électriques.**
- ▶ **Lisez et respectez les consignes de sécurité et les instructions de toutes les notices d'utilisation du système eBike, ainsi que la notice d'utilisation de votre eBike.**

Description et performances du produit Montage

Utilisation conforme

L'unité d'entraînement est uniquement destinée à assurer l'entraînement de votre eBike. Toute autre utilisation est interdite.

Caractéristiques techniques

Unité d'entraînement		Drive Unit Speed
N° d'article		0 275 007 041
Puissance permanente nominale	W	250
Couple maxi. de l'entraînement	Nm	63
Tension nominale	V _{DC}	36
Température de fonctionnement	°F	+23... +104
Température de stockage	°F	+14... +122
Type de protection		IP 54 (étanche à la poussière et aux projections d'eau)
Poids, env.	lb	8,8

Éclairage de vélo ¹⁾

Tension env. ²⁾³⁾	V _{DC}	6/12
Puissance maximale		
– Feu avant	W	8,4/17,4
– Feu arrière	W	0,6/0,6

1) en fonction des prescriptions légales, pas possible dans toutes les versions nationales via l'accu du vélo électrique

2) La valeur de la tension est pré-réglée et ne peut être modifiée que chez un revendeur de vélos spécialisé.

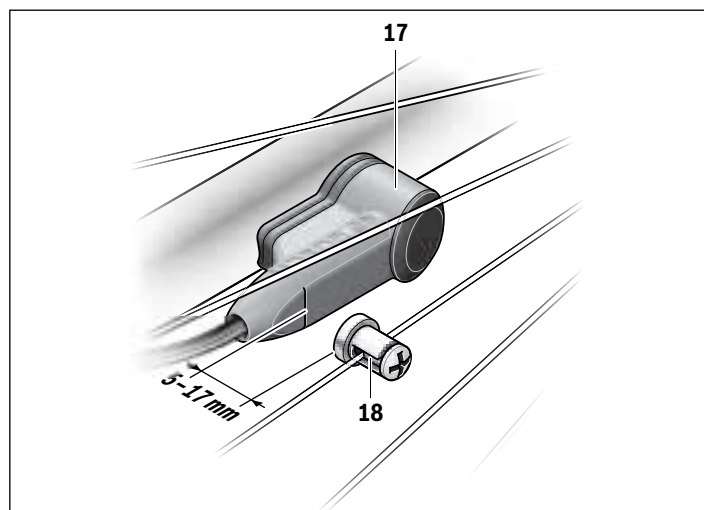
3) Lors du changement des ampoules, veuillez à ce qu'elles soient compatibles avec le système eBike Bosch (demandez à votre revendeur) et à ce qu'elles correspondent à la tension indiquée. Ne remplacer des ampoules défectueuses que par des ampoules de même tension.

► **Les ampoules inappropriées risquent d'être détruites !**

Insertion et retrait de l'accu

Pour insérer l'accu dans l'eBike et pour le retirer, veuillez lire et respecter la notice d'utilisation de l'accu.

Contrôle du capteur de vitesse



17 Capteur de vitesse

18 Aimant de rayon du capteur de vitesse

Le capteur de vitesse **17** et l'aimant de rayon **18** doivent être montés de sorte à ce que l'aimant du rayon dépasse le capteur de vitesse à une distance de 5 mm min. et de 17 mm max. lorsque la roue tourne.

Note : Si la distance entre le capteur de vitesse **17** et l'aimant de rayon **18** est trop petite ou trop grande, ou si le capteur de vitesse **17** n'est pas correctement connecté, l'affichage du compteur de vitesse peut être défaillant et le système d'entraînement de l'eBike fonctionne alors en mode d'urgence.

Desserrer dans ce cas la vis de l'aimant **18** et fixez le au rayon de façon à ce qu'il passe à la bonne distance du repère du capteur de vitesse. S'il n'apparaît alors toujours aucune vitesse au niveau de l'affichage du compteur de vitesse, veuillez contacter un revendeur de vélos autorisé.

Mise en marche

Mise en service

Conditions préalables

Le système eBike ne peut être activé que si les conditions suivantes sont réunies :

- L'accu utilisé est suffisamment chargé (voir la notice d'utilisation de l'accu).
- L'ordinateur de bord est correctement inséré dans le support (reportez-vous à la notice d'utilisation de l'ordinateur de bord).
- Le capteur de vitesse est correctement branché (voir « Contrôle du capteur de vitesse », page Français – 4).

Mise marche/Arrêt du système eBike

Pour mettre le système eBike **en marche**, vous avez les possibilités suivantes :

- Si l'ordinateur de bord est déjà allumé lors de l'insertion dans le support, le système eBike se met en marche automatiquement.
- Une fois l'ordinateur de bord et l'accu eBike insérés, appuyez brièvement une fois sur le bouton Marche/Arrêt de l'ordinateur de bord.
- Lorsque l'ordinateur de bord est monté, appuyez sur la touche Marche/Arrêt de l'accu.

Après la mise en marche, le système eBike est en mode « **OFF** ». Sélectionnez le niveau d'assistance souhaité, puis roulez.

Le système d'entraînement est activé dès que vous appuyez sur les pédales. Le degré d'assistance est déterminé par les paramètres de configuration de l'ordinateur de bord.

Dès que vous arrêtez de pédaler ou dès que vous avez atteint une vitesse de 28 mph, l'unité d'entraînement du vélo électrique désactive l'assistance. L'assistance moteur est automatiquement activée à nouveau dès que vous pédalez et que la vitesse est inférieure à 28 mph.

Pour **arrêter** le système eBike, vous avez les possibilités suivantes :

- Appuyez sur le bouton Marche/Arrêt de l'ordinateur de bord.
- Arrêtez l'accu eBike au niveau de son bouton Marche/Arrêt (voir la notice d'utilisation de l'accu).
- Retirez l'ordinateur de bord du support.

Après 10 min d'immobilité du vélo électrique **sans** actionnement d'aucune touche de l'ordinateur de bord, le système eBike s'éteint automatiquement pour économiser l'énergie.

eShift (option)

eShift indique la présence d'un système de passage de vitesses automatique dans le système eBike. Les composants eShift sont reliés électriquement à l'unité d'entraînement par le fabricant. L'utilisation des systèmes de passage de vitesses automatiques est décrite dans la notice d'utilisation de l'ordinateur de bord.

Réglage du niveau d'assistance

Vous pouvez configurer sur l'ordinateur de bord le niveau d'assistance du système d'entraînement de l'eBike lorsque vous pédalez. Le niveau d'assistance peut être modifié à tout moment, y compris au cours de la conduite.

Note : Dans certaines versions, il est possible que le niveau d'assistance soit préréglé et ne puisse pas être modifié. Il est également possible que moins de niveaux d'assistance soient disponibles qu'indiqués ici.

Les niveaux d'assistance suivants sont disponibles :

- « **OFF** » : l'assistance électrique est désactivée, l'eBike peut être utilisé comme un vélo normal sans assistance. Dans ce niveau d'assistance, l'assistance à la poussée n'est pas activable.
- « **ECO** » : assistance effective avec efficacité maximale, pour portée maximale
- « **TOUR** » : assistance régulière, pour des tours de grande portée
- « **SPORT** » : assistance puissante, pour parcours sportifs sur des chemins montagneux ainsi que pour la circulation urbaine
- « **TURBO** » : assistance maximale jusqu'à des fréquences de pédalage élevées, pour parcours sportifs

La puissance du moteur sélectionnée apparaît sur l'écran de l'ordinateur de bord. La puissance maximale du moteur dépend du niveau d'assistance sélectionné.

Niveau d'assistance	Facteur d'assistance* (dérailleur)
« ECO »	55 %
« TOUR »	120 %
« SPORT »	190 %
« TURBO »	275 %

* La puissance du moteur peut différer pour certaines versions.

Après la mise en marche, le système eBike est en mode « **OFF** ».

Allumer/éteindre l'assistance de poussée

L'assistance de poussée peut vous aider à pousser le vélo électrique. La vitesse possible avec cette fonction dépend de la vitesse passée et peut atteindre 3,7 mph au maximum. Plus vous passez une vitesse basse, moins élevée sera la vitesse de cette fonction d'assistance de poussée (à pleine puissance).

- **La fonction d'assistance de poussée ne doit être utilisée que quand vous poussez le vélo électrique.** Les roues du vélo électrique doivent être en contact avec le sol lorsque l'assistance de poussée est utilisée, sinon il y a danger de blessures.

Pour **activer** l'assistance de poussée, appuyez brièvement sur la touche « **WALK** » de votre ordinateur de bord. Après l'activation, appuyez dans les 3 secondes qui suivent sur la touche « **+** » et maintenez-la enfoncée. L'entraînement du vélo électrique est activé.

Note : Dans le niveau d'assistance « **OFF** », l'assistance à la poussée n'est pas activable.

L'assistance de poussée **se désactive** dès que l'une des situations suivantes se produit :

- Vous relâchez la touche « **+** »,
- les roues du vélo électrique se bloquent (par ex. lors d'un freinage ou d'un choc contre un obstacle),
- la vitesse devient supérieure à 3,7 mph.

Note : Sur certains systèmes, l'assistance de poussée peut être directement activée en appuyant sur la touche « **WALK** ».

Allumer/éteindre l'éclairage du vélo

Sur les modèles où l'éclairage est alimenté par le système eBike, les phares avant et arrière peuvent être allumés et éteints simultanément via l'ordinateur de bord.

Entretien/nettoyage

▲ AVERTISSEMENT

- ▶ **Les éléments de votre système d'entraînement Bosch ne nécessitent aucun entretien.** N'ouvrez aucun élément. L'entretien doit uniquement être effectué par un revendeur eBike Bosch autorisé. Le fait de ne pas respecter l'avertissement ci-dessus peut entraîner des blessures graves ou mortelles. Reportez-vous au manuel de votre vélo ou au manuel de l'élément pour tous les éléments ne faisant pas partie du système d'entraînement Bosch.
- ▶ **Retirez toujours l'accu avant d'inspecter un vélo, de procéder à son entretien ou à sa réparation.** Le fait de ne pas retirer l'accu avant d'inspecter un vélo, de procéder à son entretien ou à sa réparation peut entraîner des blessures graves.
- ▶ **Si vous suspectez une défaillance, n'utilisez pas votre vélo.** Consultez votre revendeur eBike Bosch, seul un revendeur qualifié doit intervenir sur votre système d'entraînement Bosch. Tous les écrous, les boulons et les vis requièrent une force de serrage correcte. Une force de serrage trop faible ne permet pas la fixation sécurisée des composants. Une force de serrage excessive risque au contraire de briser les filets, et d'étendre, de déformer ou de casser les éléments de fixation. D'une manière ou d'une autre, une force de serrage incorrecte peut entraîner une défaillance de l'élément, ce qui peut vous faire perdre le contrôle de votre vélo et vous faire tomber.
- ▶ **Si vous remplacez votre batterie, achetez uniquement un accu Bosch d'origine auprès d'une source fiable et approuvée. Contactez votre revendeur eBike Bosch pour les pièces Bosch d'origine.**
- ▶ **Arrêtez toujours l'accu lorsque vous le montez ou le retirez de son support.** Ne tentez jamais de monter ni de retirer l'accu lorsque vous roulez à vélo.
- ▶ **Ne rechargez pas et n'utilisez pas votre eBike dans une zone présentant une atmosphère potentiellement explosive, par exemple dans une station-service ou dans des zones dans lesquelles l'air contient des produits chimiques ou des particules (telles que des grains, de la poussière ou des poudres métalliques).** Respectez tous les panneaux et toutes les instructions.
- ▶ **Ne plongez pas vos composants eBike dans l'eau et ne les lavez pas avec un pulvérisateur haute pression.** Votre unité d'entraînement Bosch est conçue pour être étanche à l'eau de pluie ou à un tuyau d'arrosage sans pression.

- ▶ **Notez le nom du fabricant et le numéro de la clé.** Si vous perdez les clés, contactez un revendeur eBike Bosch autorisé. Veuillez fournir le nom du fabricant et le numéro de la clé.
- ▶ **Ne peignez aucun élément du système d'entraînement Bosch car cela peut entraîner une défaillance prématurée de l'élément.**

Maniement soigneux du vélo électrique

Respectez les températures de fonctionnement et de stockage des composants de l'eBike. Protégez l'unité d'entraînement, l'ordinateur de bord et l'accu des températures extrêmes (par exemple d'une exposition intense aux rayons du soleil sans ventilation simultanée). Les composants (notamment l'accu) peuvent être endommagés par une exposition à des températures extrêmes.

Faites contrôler votre système eBike au moins une fois par an sur le plan technique (partie mécanique, actualité du logiciel système, etc.).

Pour le Service Après-Vente ou des réparations sur votre vélo électrique, adressez-vous à un vélociste autorisé.

Service Après-Vente et Assistance Clients

Pour toutes les questions concernant le système eBike et ses éléments, adressez-vous à un vélociste autorisé.

Vous trouverez les données de contact de vélocistes autorisés sur le site internet www.bosch-ebike.com

Nettoyage

- ▶ **Ne plongez pas vos composants eBike dans l'eau et ne les lavez pas avec un pulvérisateur haute pression.** Votre unité d'entraînement Bosch est conçue pour être étanche à l'eau de pluie ou à un tuyau d'arrosage sans pression.

Maintenez tous les éléments de votre vélo électrique propres, surtout les contacts de l'accu et les supports de fixation.

Ne plongez pas dans l'eau les éléments, y compris l'unité de l'entraînement et ne les nettoyez pas à l'aide d'un nettoyeur haute pression. Maintenez tous les éléments de votre vélo électrique propres, surtout les contacts de l'accu et les supports de fixation. Nettoyez-les soigneusement à l'aide d'un chiffon doux et humide (en utilisant uniquement du savon doux et de l'eau).

Performance Line



Owner's Manual – The Bosch Drive System Battery

BBS261, BBS266, BBS271, BBS276, BBR261, BBR266, BBR271, BBR276, BBP280, BBP281



BOSCH

fr Notice originale



Cette notice contient d'importantes informations sur la sécurité, les performances et l'entretien. Lisez-les et comprenez-les ainsi que les informations fournies par le fabricant de votre vélo avant d'utiliser le produit, et conservez-les pour référence ultérieure.



Introduction

Merci d'avoir acheté un vélo équipé du système d'entraînement Bosch !

L'équipe eBike Systems de Bosch apprécie de vous compter parmi ses clients et vous souhaite de nombreuses années d'utilisation de votre vélo en toute sécurité et pour votre entière satisfaction.

Avertissements généraux



Lisez tous les avertissements de sécurité et toutes les instructions. Le fait de ne pas respecter les avertissements et les instructions peut entraîner des blessures graves ou mortelles.

Conservez tous les avertissements et toutes les instructions pour pouvoir s'y reporter ultérieurement.

Le terme « batterie » utilisé dans la présente notice d'utilisation désigne une batterie d'eBike Bosch d'origine.

À propos des avertissements

Ce manuel contient de nombreuses mises en garde (« **DANGER** », « **AVERTISSEMENT** » et « **ATTENTION** ») portant sur les conséquences liées au non-respect des instructions relatives à l'utilisation, au montage, à l'entretien, au stockage, à l'inspection et à la mise au rebut d'un eBike équipé Bosch de manière sécurisée.

L'association du symbole d'alerte de sécurité au mot « **DANGER** » indique une situation dangereuse qui, à défaut d'être évitée, **entraînera** des blessures graves ou mortelles.

L'association du symbole d'alerte de sécurité au mot « **AVERTISSEMENT** » indique une situation dangereuse qui, à défaut d'être évitée, **peut** entraîner des blessures graves ou mortelles.

L'association du symbole d'alerte de sécurité au mot « **ATTENTION** » indique une situation dangereuse qui, à défaut d'être évitée, peut entraîner des blessures légères ou modérées.

⚠ AVERTISSEMENT

- ▶ **Cette notice contient d'importantes informations sur la sécurité, les performances et l'entretien.** Veuillez la lire avant d'utiliser votre vélo pour la première fois, et la conserver pour référence ultérieure. Vous pouvez également retrouver cette notice en ligne à l'adresse www.bosch-ebike.com.
- ▶ **Cette notice est destinée à être lue conjointement avec le manuel utilisateur séparé fourni avec votre vélo.** Assurez-vous de lire tous les documents fournis y compris les étiquettes apposées sur le produit avant la première utilisation.

- ▶ **Lisez TOUS les manuels et TOUTES les notices jointes avant d'utiliser votre vélo pour la première fois.** Votre système d'entraînement Bosch est livré avec d'autres manuels et documents fournis par le fabricant du vélo et des autres éléments. Ne pas lire ou ne pas comprendre les informations de sécurité peut entraîner des blessures graves ou mortelles.
- ▶ **Assumez la responsabilité de votre propre SÉCURITÉ.** En cas de question ou d'incompréhension, contactez votre revendeur ou le fabricant du vélo ou de l'élément.
- ▶ **Certains accessoires de l'eBike peuvent présenter un risque d'étouffement pour les petits enfants.** Conservez ces accessoires hors de portée des enfants.

⚠ ATTENTION

- ▶ **Le système d'entraînement Bosch alourdit votre vélo. Vous n'avez peut-être pas l'habitude de le soulever.** Évitez de vous blesser en utilisant des techniques de levage appropriées.

Utilisation de votre notice d'utilisation

Nous nous réservons le droit d'apporter à tout moment des modifications au logiciel pour corriger des erreurs ou pour étendre les fonctionnalités décrites dans la présente notice.

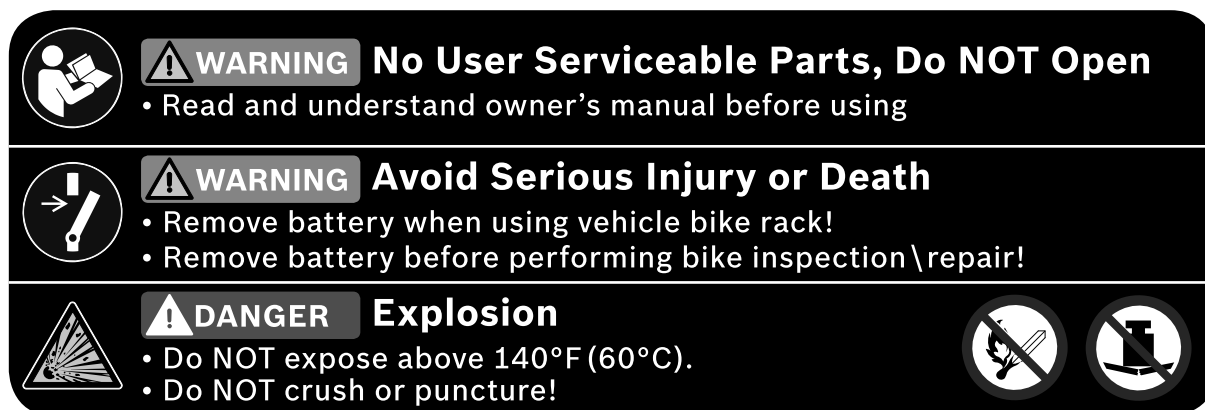
Graphiques

Le vélo illustré dans cette notice peut être légèrement différent de votre vélo, mais il est suffisamment similaire pour vous permettre de comprendre nos instructions.

Les côtés DROIT et GAUCHE sont déterminés en se plaçant en situation, dans le sens de la marche du vélo. Lorsqu'une ligne en pointillé (-----) apparaît, l'élément auquel il est fait référence n'est pas visible.

Étiquettes d'avertissement sur le produit

A



⚠ WARNING No User Serviceable Parts, Do NOT Open
• Read and understand owner's manual before using

⚠ WARNING Avoid Serious Injury or Death
• Remove battery when using vehicle bike rack!
• Remove battery before performing bike inspection \ repair!

⚠ DANGER Explosion
• Do NOT expose above 140°F (60°C).
• Do NOT crush or puncture!

B




BOSCH










Robert Bosch GmbH
D-72703 Reutlingen
www.bosch-ebike.com

Max. charge 42V 6A • Max. discharge 20A

⚠ WARNING To reduce the risk of injury, explosion, or fire, user must read instruction manual. • Do not crush, puncture, disassemble, short terminals, or dispose in fire. • Do not use battery once it has been impacted, sustained water damage or visibly damaged. • Charge battery only with Bosch eBike chargers.

⚠ AVERTISSEMENT L'utilisateur doit lire le mode d'emploi pour réduire le risque de blessure, d'explosion ou d'incendie. • Ne pas écraser, perforer, démonter, court-circuiter les bornes ou jeter dans un feu. • Ne pas réutiliser la pile si elle a subi un choc, des dégâts causés par l'eau ou d'autres dommages visibles. • Ne charger la pile qu'avec un chargeur Bosch eBike.

⚠ ADVERTENCIA Para reducir el riesgo de lesiones, explosión o incendio, el usuario debe leer el manual de instrucciones. • No aplastar, perforar, desmontar, cortocircuitar los terminales ni desecharlo en un fuego. • No usar la batería una vez que haya recibido algún golpe, haya sufrido daños por agua o esté visiblemente dañada. • Cargar la batería solamente con cargadores Bosch eBike.

A Avertissements, « PowerPack »

B Avertissements, « PowerTube »

- **Des étiquettes d'avertissement ont été placées sur le système eBike de Bosch pour votre sécurité. Lisez attentivement et observez les consignes figurant sur ces étiquettes. Au cas où une étiquette venait à se décoller ou à devenir illisible, adressez-vous à votre revendeur Bosch pour obtenir une étiquette de remplacement.** Les étiquettes de sécurité de recharge sont fournies gratuitement par Bosch.

Utilisation de l'accu Lithium-Ion

Consignes de sécurité pour les batteries d'eBike Bosch



Lisez et comprenez tous les avertissements et toutes les instructions.

Le fait de ne pas respecter les avertissements ci-dessous peut entraîner des blessures graves ou mortelles.

Conservez tous les avertissements et toutes les instructions pour pouvoir s'y reporter ultérieurement.

Le terme « batterie » utilisé dans la présente notice d'utilisation désigne une batterie d'eBike Bosch d'origine.

⚠ DANGER

- ▶ **Ne percez pas et n'écrasez pas l'accu. Ne percutez pas l'accu et n'essayez pas de le modifier de quelque façon que ce soit.** N'utilisez pas l'accu s'il présente des dommages visibles. Risque d'incendie ou d'explosion pouvant entraîner des blessures graves ou mortelles.



Protégez l'accu contre la chaleur (par ex., températures > 140 °F), le feu et l'immersion dans l'eau. Risque d'explosion.

⚠ AVERTISSEMENT

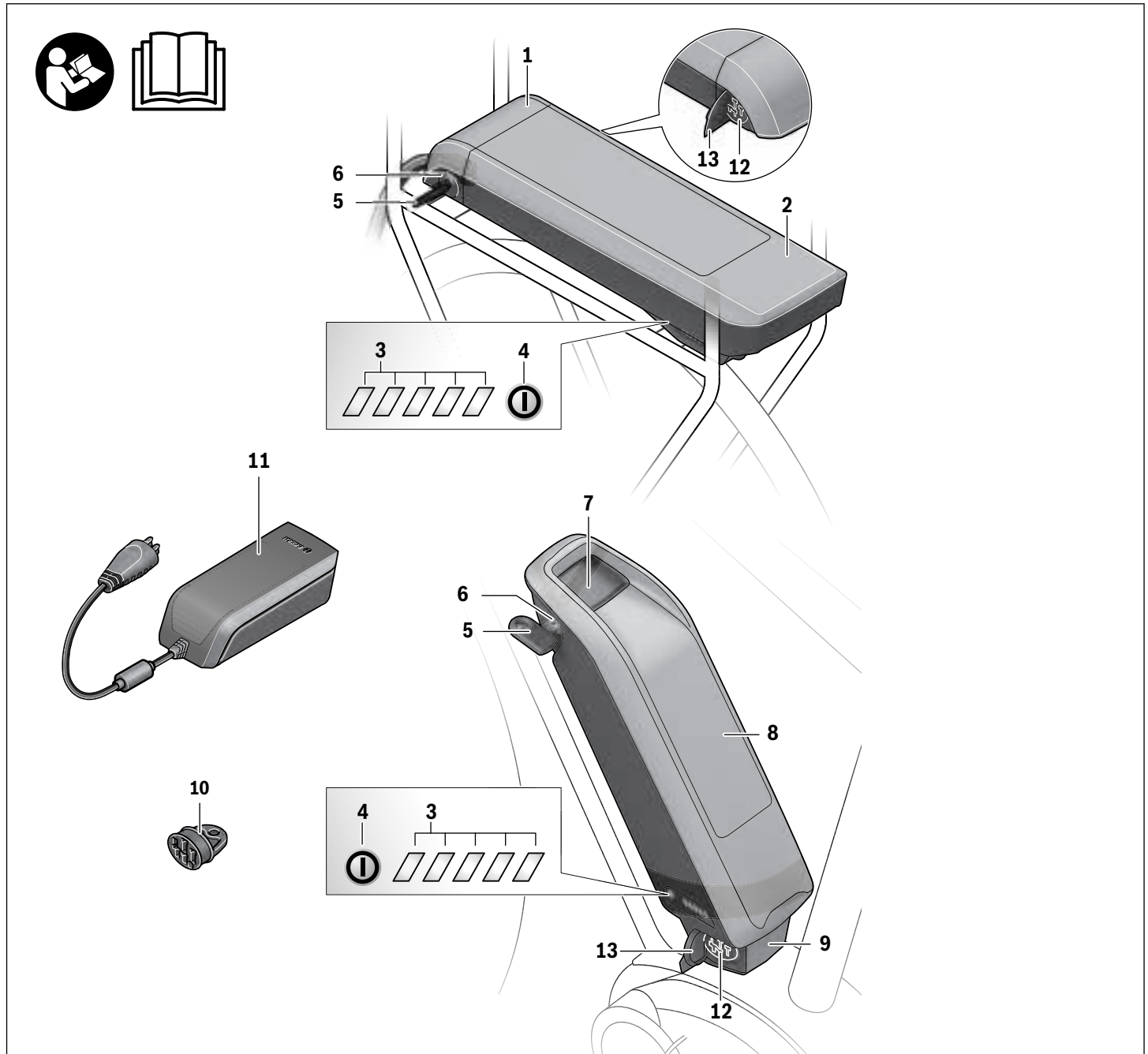
- ▶ **Utilisez uniquement les accus d'origine Bosch autorisés par le fabricant pour votre vélo électrique et achetés auprès d'une source fiable.** L'utilisation d'accus non homologués ou de contrefaçon peut entraîner des blessures graves ou mortelles.
- ▶ **Retirez l'accu de l'eBike avant de commencer à travailler (par ex. inspection, réparation, montage, entretien, travaux au niveau de la chaîne, etc.) sur l'eBike, de le transporter en voiture ou en avion ou de le ranger.** Une activation involontaire du système eBike risque de provoquer des blessures.
- ▶ **Ne pas ouvrir l'accu.** Risque de court-circuit. L'ouverture de l'accu entraîne l'annulation de la garantie.

- ▶ **Tenez l'accu non-utilisé à l'écart de toutes sortes d'objets métalliques tels qu'agrafes, pièces de monnaie, clés, clous, vis ou autres, car un pontage pourrait provoquer un court-circuit.** Un court-circuit entre les contacts d'accu peut provoquer des brûlures ou un incendie. La garantie de Bosch est annulée dans le cas de dommages provoqués par un court-circuit survenant dans ce contexte.
- ▶ **Évitez les contraintes mécaniques ou les forts échauffements.** Ils risqueraient d'endommager les cellules de l'accu ou de provoquer des fuites de matières inflammables.
- ▶ **Ne placez jamais le chargeur et l'accu près de matériaux inflammables. Ne chargez les accus qu'à l'état sec et dans un endroit résistant au feu.** Il y a en effet un risque d'incendie pendant la charge du fait de l'échauffement de l'accu.
- ▶ **Ne pas laisser l'accu de l'eBike sans surveillance pendant sa recharge.**
- ▶ **En cas d'une utilisation erronée, du liquide peut s'échapper de l'accumulateur. Évitez tout contact. En cas de contact accidentel, nettoyez à l'eau. Si le liquide entre en contact avec les yeux, veuillez alors consulter un médecin.** La substance liquide qui s'échappe de l'accumulateur peut entraîner des irritations de la peau ou causer des brûlures.
- ▶ **Les accus ne doivent pas être soumis à des impacts mécaniques.** L'accu peut être alors endommagé et entraîner l'échappement de vapeurs. Ces vapeurs peuvent irriter le système respiratoire. Faites entrer de l'air frais et consultez un médecin en cas d'inhalation.
- ▶ **En cas d'endommagement et d'utilisation non conforme de l'accu, des vapeurs peuvent s'échapper. Bien aérer le local et consulter un médecin en cas de malaise.** Les vapeurs peuvent irriter les voies respiratoires.
- ▶ **Ne recharger l'accu qu'avec un chargeur d'origine Bosch.** En cas d'utilisation d'un chargeur autre qu'un chargeur d'origine Bosch, un risque d'incendie ne peut être exclu.

- ▶ **N'utilisez l'accu qu'avec des vélos électriques équipés d'un entraînement de vélo électrique d'origine Bosch.** Ceci protège l'accu contre une surcharge dangereuse.
- ▶ **N'utilisez que les accus d'origine Bosch autorisés par le fabricant pour votre vélo électrique.** L'utilisation de tout autre accumulateur peut entraîner des blessures et des risques d'incendie. Bosch décline toute responsabilité et garantie dans le cas d'utilisation d'autres accus.
- ▶ **Ne pas utiliser l'accu de porte-bagages comme poignée.** Pour soulever le vélo, ne le saisissez pas au niveau de l'accu car ce dernier risque alors d'être endommagé.
- ▶ **Lisez et respectez les consignes de sécurité et les instructions de toutes les notices d'utilisation du système eBike, ainsi que la notice d'utilisation de votre eBike.**
- ▶ **Gardez l'accu hors de portée des enfants.**

Nous attachons une grande importance à la sécurité de nos produits et clients. Nos accus sont conçus et fabriqués conformément à l'état actuel de la technique. Ils respectent et même dépassent les normes de sécurité en vigueur. À l'état chargé, ces accus Lithium-Ion ont une densité énergétique élevée. En cas de défectuosité (souvent pas reconnaissable de l'extérieur), les accus Lithium-Ion risquent dans certaines conditions défavorables de s'enflammer. Lorsque l'eBike est connecté au Bosch DiagnosticTool, des données relatives à l'utilisation des composants Bosch (température, tension des cellules, etc.) sont envoyées à la société Bosch eBike Systems (Robert Bosch GmbH) à des fins d'amélioration des produits. Pour en savoir plus, rendez-vous sur le site Bosch eBike à l'adresse www.bosch-ebike.com.

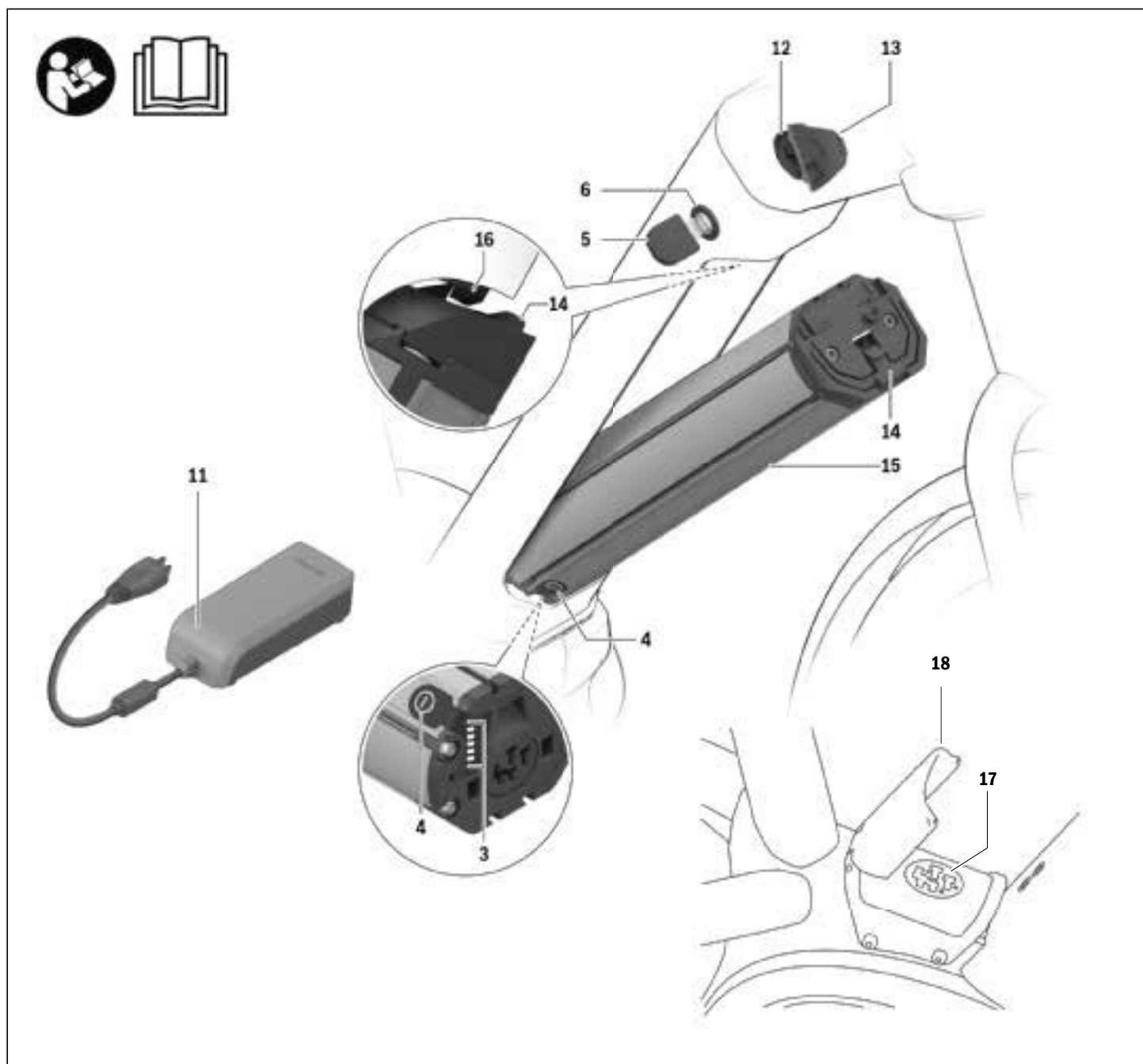
Description et performances du produit



Caractéristiques produit PowerPack

Toutes les représentations des éléments du vélo, à l'exception des accus et de leurs supports, sont schématiques et peuvent être différentes des éléments de votre eBike.

- 1 Fixation de l'accu de porte-bagages
- 2 Accu de porte-bagages
- 3 Voyant de fonctionnement et d'état de charge
- 4 Touche Marche/Arrêt
- 5 Clé de la serrure de l'accu
- 6 Serrure de l'accu
- 7 Fixation supérieure de l'accu standard
- 8 Accu standard
- 9 Fixation inférieure de l'accu standard
- 10 Chape (seulement fourni pour les vélos électriques à 2 accus)
- 11 Chargeur
- 12 Prise pour fiche de charge
- 13 Couvercle fiche de charge



Caractéristiques produit PowerTube

Toutes les représentations des éléments du vélo, à l'exception des accus et de leurs supports, sont schématiques et peuvent être différentes des éléments de votre eBike.

- 3** Voyant de fonctionnement et d'état de charge
- 4** Touche Marche/Arrêt
- 5** Clé de la serrure de l'accum
- 6** Serrure de l'accum

- 11** Chargeur
- 12** Prise pour fiche de charge
- 13** Couvercle fiche de charge
- 14** Support de retenue PowerTube
- 15** Accum PowerTube
- 16** Crochet de sécurité PowerTube
- 17** Prise pour fiche de charge
- 18** Couvercle fiche de charge

Caractéristiques techniques

Accu Lithium-ion		PowerPack 400	PowerPack 500	PowerTube 500
Code produit		BBS261/BBS266 ^{S)} BBR261/BBR266 ^{R)}	BBS271/BBS276 ^{S)} BBR271/BBR276 ^{R)}	BBP280 – horizontal BBP281 – vertical
Tension nominale	V=	36	36	36
Capacité nominale	Ah	11	13,4	13,4
Énergie	Wh	400	500	500
Température de fonctionnement	°F	+23...+104	+23...+104	+23...+104
Température de stockage	°F	+14...+140	+14...+140	+14...+140
Plage de température de charge admissible	°F	+32...+104	+32...+104	+32...+104
Poids, env.	lb	5,5/5,7	5,7/6,0	6,2
Type de protection		IP 54 (étanche à la poussière et aux projections d'eau)	IP 54 (étanche à la poussière et aux projections d'eau)	IP 54 (étanche à la poussière et aux projections d'eau)

S) Accu standard

R) Accu de porte-bagages

Cet appareil est conforme à la section 15 des réglementations FCC. Son fonctionnement est soumis aux deux conditions suivantes:

(1) cet appareil ne doit pas causer d'interférences nuisibles, et

(2) cet appareil doit accepter toutes les interférences, y compris celles qui pourraient provoquer un fonctionnement non souhaitable de l'appareil.

Cet appareil est conforme au Règlement CAN ICES-3(B)/NM B-3(B).

Montage

- **Ne placez l'accu que sur des surfaces propres.** Évitez tout encrassement de la douille de charge et des contacts, par ex. par du sable ou de la terre.

Contrôler l'accu avant la première utilisation

Contrôlez l'accu avant de le recharger ou de l'utiliser avec votre vélo électrique la première fois.

Pour ce faire, appuyez sur la touche Marche/Arrêt **4** pour mettre l'accu en marche. Si aucune des LED de l'affichage de l'état de charge **3** ne s'allume, l'accu pourrait être endommagé.

Si au moins une des LED s'allume mais pas la totalité des LED de l'affichage de l'état de charge **3**, alors rechargez l'accu à fond avant la première utilisation.

- **Ne chargez pas un accu endommagé et ne l'utilisez pas.** Adressez-vous à un vélociste autorisé.

Charge de l'accu

- **N'utiliser que le chargeur d'origine Bosch fourni avec le vélo électrique ou un chargeur identique.** Seul ce chargeur est adapté à l'accu à ions lithium utilisé dans votre vélo électrique.

Note : L'accu est fourni en état de charge faible. Afin de garantir la puissance complète de l'accu, rechargez-le complètement dans le chargeur avant la première mise en service.

Pour charger l'accu, lisez et respectez la notice d'utilisation du chargeur.

L'accu peut être rechargé quel que soit son niveau de charge. Le fait d'interrompre la charge n'endommage pas l'accu.

L'accu est équipé d'un contrôle de température qui ne permet de charger l'accu que dans une plage de température entre 32 °F et 104 °F.



Si l'accu se trouve à l'extérieur de la plage de température prévue, trois LED de l'affichage de l'état de charge **3** clignotent. Débranchez l'accu du chargeur et laissez-le reprendre une température adéquate.

- **ATTENTION : ne branchez pas l'accu au chargeur tant qu'il n'a pas atteint la température de charge admissible.**

Voyant lumineux indiquant l'état de charge

Les cinq LED de l'affichage de l'état de charge **3** indiquent, quand l'accu est allumé, dans quel état de charge il se trouve.

Chaque LED correspond à environ 20 % de capacité. Si l'accu est complètement rechargé, les cinq LED s'allument. L'état de charge de l'accu en marche s'affiche, en outre, sur l'écran de l'ordinateur de bord. Lisez et observez la notice d'utilisation de l'unité de commande et de l'ordinateur de bord.

Si la capacité de l'accu est inférieure à 5 %, toutes les LED de l'affichage de l'état de charge **3** s'éteignent au niveau de l'accu, mais il reste encore une fonction d'affichage de l'ordinateur de bord.

Au terme de la charge, déconnectez l'accu du chargeur et le chargeur du secteur.

Utilisation de deux accus sur un vélo électrique (optionnel)

Certains vélos électriques sont dotés de deux accus. En pareil cas, l'une des prises de charge n'est pas accessible ou obturée par un couvercle. Ne chargez les accus qu'au niveau de la prise de charge accessible.

- **N'ouvrez jamais la prise de charge qui a été obturée par le fabricant.** Le fait d'utiliser la prise de charge intentionnellement obturée par le fabricant risque de causer des dommages irréparables.

En cas d'utilisation d'un seul accu sur un vélo électrique prévu pour deux accus, placez le couvercle **10** fourni au-dessus des contacts nus de l'accu non utilisé pour écarter tout risque de court-circuit.

Processus de charge en cas d'utilisation de deux accus

Quand les deux accus sont en place dans leur fixation, ces derniers peuvent être rechargés au niveau de la prise électrique non obturée. Les deux batteries sont dans un premier temps rechargées successivement à 80 – 90 % puis en parallèle jusqu'à leur recharge complète (les LED des deux batteries clignotent).

Pendant la conduite, les deux accus se déchargent en alternance.

Il est également possible de recharger séparément chaque accu en le sortant de sa fixation.

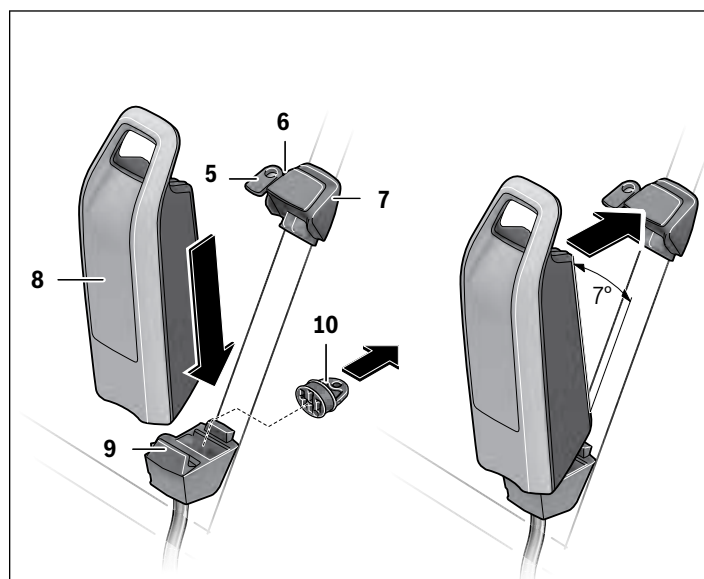
Processus de charge en cas d'utilisation d'un seul accu

En cas d'utilisation d'un seul accu, vous ne pouvez recharger sur le vélo que l'accu dont la prise de charge est accessible. Pour recharger l'accu dont la prise de charge est obturée, il faut le sortir de sa fixation.

Insertion et retrait de l'accu

- **Toujours arrêter le système eBike et éteindre l'accu pour insérer ce dernier dans sa fixation ou l'extraire de sa fixation.**

Mise en place et retrait de l'accu standard



Pour pouvoir monter l'accu, la clé **5** doit se trouver dans la serrure **6** et la serrure doit être ouverte.

Pour **mettre en place l'accu standard 8**, posez-le avec les contacts sur la fixation inférieure **9** du vélo électrique (l'accu peut être incliné jusqu'à 7° par rapport au cadre). Basculez-le vers l'arrière jusqu'en butée dans la fixation supérieure **7**.

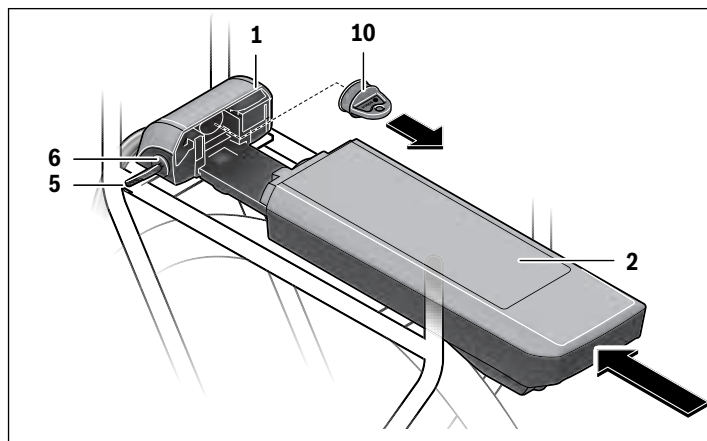
- **Vérifiez toujours que l'accu est verrouillé en place.**

Pour ce faire, tirez sur l'accu (après avoir retiré la clé). Contrôlez le bon positionnement de l'accu. Fermez toujours l'accu à l'aide de la serrure **6** car sinon, la serrure pourrait s'ouvrir et l'accu tomber de la fixation.

Après avoir fermé la serrure à clé, retirez toujours la clé **5** de la serrure **6**. Ceci permet d'éviter que la clé ne tombe ou que l'accu ne soit retiré par une tierce personne non autorisée, lorsque le vélo électrique est garé.

Pour **retirer l'accu standard 8**, éteignez-le et ouvrez la serrure avec la clé **5**. Dégagez l'accu de la fixation supérieure **7** en le basculant et retirez-le de la fixation inférieure **9**.

Mise en place et retrait de l'accu de porte-bagages



Pour pouvoir monter l'accu, la clé **5** doit se trouver dans la serrure **6** et la serrure doit être ouverte.

Pour **mettre en place l'accu du porte-bagages 2**, enfoncez-le, côté contact, dans la fixation **1** du porte-bagages jusqu'à ce qu'il s'encliquette.

► Vérifiez toujours que l'accu est verrouillé en place.

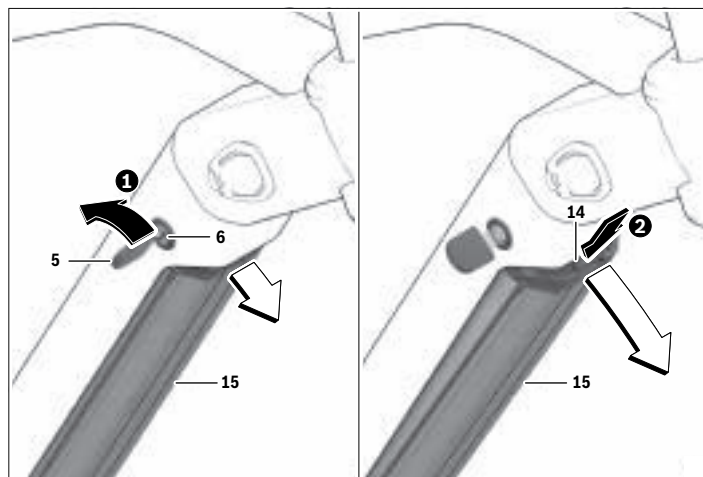
Pour ce faire, tirez sur l'accu (après avoir retiré la clé).

Contrôlez le bon positionnement de l'accu. Fermez toujours l'accu à l'aide de la serrure **6** car sinon, la serrure pourrait s'ouvrir et l'accu tomber de la fixation.

Après avoir fermé la serrure à clé, retirez toujours la clé **5** de la serrure **6**. Ceci permet d'éviter que la clé ne tombe ou que l'accu ne soit retiré par une tierce personne non autorisée, lorsque le vélo électrique est garé.

Pour **enlever l'accu du porte-bagages 2**, éteignez-le puis ouvrez la serrure avec la clé **5**. Faites basculer l'accu pour le sortir de sa fixation **1**.

Retrait de l'accu PowerTube

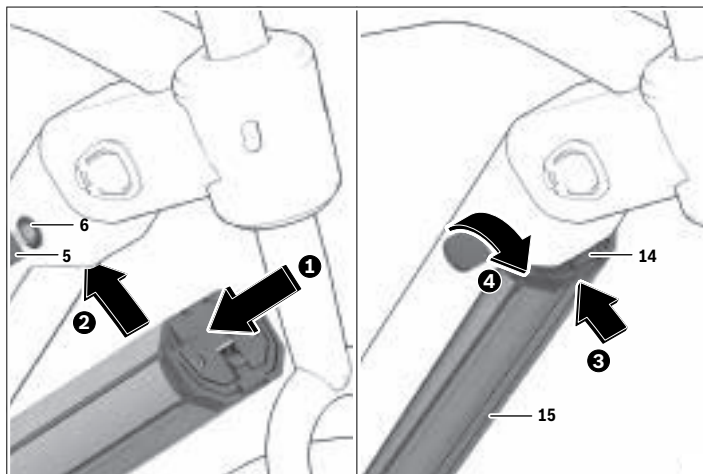


❶ Pour retirer l'accu PowerTube **15**, ouvrez la serrure **6** avec la clé **5**. L'accu se déverrouille et tombe dans le support de retenue **14**.

❷ Appuyez par le haut sur le support de retenue, l'accu se déverrouille complètement et tombe dans votre main. Dégagez l'accu du cadre.

Note : En raison de **différences** possibles au niveau de la réalisation, il se peut que la marche à suivre pour la mise en place et le retrait de l'accu PowerTube diffère quelque peu. Consultez dans un tel cas la documentation du fabricant de votre vélo.

Mise en place de l'accu PowerTube



Pour pouvoir monter l'accu, la clé **5** doit se trouver dans la serrure **6** et la serrure doit être ouverte.

- ➊ Pour mettre en place l'accu PowerTube **15**, positionnez-le avec les contacts dans le support de fixation inférieur du cadre.
- ➋ Rabattez l'accu vers le haut jusqu'à ce qu'il soit maintenu en place par le support de retenue **14**.
- ➌ Poussez l'accu vers le haut jusqu'à ce qu'il s'enclenche de manière audible. Assurez-vous que l'accu est bien fixé.
- ➍ Verrouillez toujours la serrure **6** avec la clé car la serrure risque sinon de s'ouvrir et l'accu risque de tomber.

- ▶ **Vérifiez toujours que l'accu est verrouillé en place.** Pour ce faire, tirez sur l'accu (après avoir retiré la clé).

Après avoir fermé la serrure à clé, retirez toujours la clé **5** de la serrure **6**. Ceci permet d'éviter que la clé ne tombe ou que l'accu ne soit retiré par une tierce personne non autorisée, lorsque le vélo électrique est garé.

Fonctionnement

Mise en service

- ▶ **Utilisez uniquement les accus d'origine Bosch autorisés par le fabricant pour votre vélo électrique et achetés auprès d'une source fiable.** L'utilisation d'accus non homologués ou de contrefaçon peut entraîner des blessures graves ou mortelles.

Mise en marche/arrêt

Pour mettre le système eBike en marche, une des possibilités qui s'offrent à vous consiste à allumer l'accu. Lisez et observez la notice d'utilisation de l'unité de commande et de l'ordinateur de bord.

Avant d'allumer l'accu ou de mettre le système eBike en marche, vérifiez que la serrure **6** est fermée à clé.

Pour **allumer** l'accu, appuyez sur la touche Marche/Arrêt **4**. Les LED de l'affichage **3** s'allument et indiquent en même temps l'état de charge.

- ▶ **Vérifiez toujours que l'accu est verrouillé en place.** Pour ce faire, tirez sur l'accu (après avoir retiré la clé).

Note : Si la capacité de l'accu est inférieure à 5 %, aucune LED de l'affichage de l'état de charge **3** ne s'allume au niveau de l'accu. Seul l'ordinateur de bord permet d'identifier si le système eBike est en marche ou non.

Pour **éteindre** l'accu, appuyez à nouveau sur la touche Marche/Arrêt **4**. Les LED de l'affichage **3** s'éteignent. Le système eBike est en même temps également éteint.

Si, au bout de 10 min environ, le mécanisme de commande eBike n'est pas alimenté (par exemple, parce que l'eBike s'arrête) et si aucune touche de l'ordinateur de bord ou de l'unité de commande de votre eBike n'est actionnée, le système eBike s'arrête automatiquement, de même que l'accu, par souci d'économie d'énergie.

L'accu est protégé par l'« Electronic Cell Protection (ECP) » contre décharge profonde, surcharge, surchauffe et court-circuit. En cas de danger, l'accu s'éteint automatiquement grâce à un dispositif d'arrêt de protection.



Si un défaut de l'accu est détecté, deux LED de l'affichage de l'état de charge **3** clignotent. Dans ce cas, veuillez consulter un vélociste autorisé.

Transport

⚠ AVERTISSEMENT

- ▶ **Retirez toujours l'accu du vélo avant de transporter le vélo sur un porte-vélos.** Le fait de ne pas retirer l'accu lorsque vous utilisez un porte-vélos peut entraîner des blessures graves ou mortelles. La batterie peut se détacher pendant le transport et provoquer un accident avec les véhicules environnants.
- ▶ **Utilisez toujours un porte-vélos compatible et approuvé lorsque vous transportez votre eBike. Le système d'entraînement Bosch représente un poids supplémentaire pour votre vélo.** Reportez-vous au manuel de votre porte-vélo pour vous assurer que votre eBike est compatible. L'excès de poids sur un porte-vélos peut entraîner des blessures graves ou mortelles.
- ▶ **Utilisez des techniques de levage correctes car les vélos électriques sont généralement plus lourds que les vélos traditionnels.**

Expédiez les accus uniquement si leur boîtier n'est pas endommagé. Protégez les contacts et emballez l'accu de manière à ce qu'il ne puisse pas se déplacer dans l'emballage. Prévenez l'expéditeur qu'il s'agit d'un produit classé comme matière dangereuse. Veuillez également respecter les réglementations supplémentaires éventuellement en vigueur dans votre pays. Vérifiez toujours les réglementations départementales et nationales avant de tenter d'expédier votre batterie.

Pour toute question concernant le transport de l'accu, adressez-vous à un vélociste autorisé. Vous pouvez également commander un emballage de transport approprié auprès d'un commerçant spécialisé.

Entretien/nettoyage

⚠ AVERTISSEMENT

- ▶ **N'ouvrez aucun élément. L'entretien doit uniquement être effectué par un revendeur eBike Bosch autorisé.** Le fait de ne pas respecter l'avertissement ci-dessus peut entraîner des blessures graves ou mortelles. Reportez-vous au manuel de votre vélo ou au manuel de l'élément pour tous les éléments ne faisant pas partie du système d'entraînement Bosch.
- ▶ **Retirez toujours l'accu avant d'inspecter un vélo, de procéder à son entretien ou à sa réparation.** Le fait de ne pas retirer l'accu avant d'inspecter un vélo, de procéder à son entretien ou à sa réparation peut entraîner des blessures graves.

- ▶ **Si vous remplacez votre batterie, achetez uniquement un accu Bosch d'origine auprès d'une source fiable et approuvée. Contactez votre revendeur eBike Bosch pour les pièces Bosch d'origine.**
- ▶ **Arrêtez toujours l'accu lorsque vous le montez ou le retirez de son support.** Ne tentez jamais de monter ni de retirer l'accu lorsque vous roulez à vélo.
- ▶ **Ne rechargez pas et n'utilisez pas votre eBike dans une zone présentant une atmosphère potentiellement explosive, par exemple dans une station-service ou dans des zones dans lesquelles l'air contient des produits chimiques ou des particules (telles que des grains, de la poussière ou des poudres métalliques).** Respectez tous les panneaux et toutes les instructions.
- ▶ **Ne plongez pas vos composants eBike dans l'eau et ne les lavez pas avec un pulvérisateur haute pression.** Votre batterie Bosch est conçue pour être étanche à l'eau de pluie ou à un tuyau d'arrosage sans pression.
- ▶ **Notez le nom du fabricant et le numéro de la clé.** Si vous perdez les clés, contactez un revendeur eBike Bosch autorisé. Veuillez fournir le nom du fabricant et le numéro de la clé.
- ▶ **Ne peignez aucun élément du système d'entraînement Bosch car cela peut entraîner une défaillance prématurée de l'élément.**

Service Après-Vente et Assistance Clients

Pour toutes les questions concernant le système eBike et ses éléments, adressez-vous à un vélociste autorisé.

Vous trouverez les données de contact de vélocistes autorisés sur le site internet www.bosch-ebike.com

Si l'accu ne peut plus fonctionner, veuillez vous adresser à un vélociste autorisé.

Nettoyage

- ▶ **Ne plongez pas vos composants eBike dans l'eau et ne les lavez pas avec un pulvérisateur haute pression.** Votre batterie Bosch est conçue pour être étanche à l'eau de pluie ou à un tuyau d'arrosage sans pression.

Maintenez tous les éléments de votre vélo électrique propres, surtout les contacts de l'accu et les supports de fixation.

Ne plongez pas dans l'eau les éléments, y compris l'unité de l'entraînement et ne les nettoyez pas à l'aide d'un nettoyeur haute pression. Nettoyez-les soigneusement à l'aide d'un chiffon doux et humide (en utilisant uniquement du savon doux et de l'eau).

Rangement

Indications pour le maniement optimal de l'accumulateur

La durée de vie de l'accu peut être prolongée s'il est bien entretenu et surtout s'il est utilisé et stocké à des températures appropriées.

Toutefois, en dépit d'un bon entretien, la capacité de l'accu se réduira avec l'âge.

Si la période d'utilisation après une charge est considérablement réduite, cela indique que l'accu est usé et doit être remplacé. Vous pouvez remplacer vous-même l'accu en achetant un PowerPack Bosch d'origine auprès d'un revendeur eBike Bosch autorisé.

Recharger l'accu avant et pendant le stockage

Quand vous n'utilisez pas le vélo électrique pendant une période prolongée (>3 mois), stockez l'accu à environ 30 % à 60 % de niveau de charge (2 à 3 LED de l'affichage de l'état de charge **3** sont allumés).

Contrôlez après 6 mois l'état de charge. Si aucune des LED de l'affichage de l'état de charge **3** n'est allumée, rechargez l'accu à nouveau à environ 30 % à 60 %.

Note : Si l'accu est stocké vide pendant une durée prolongée, il peut être endommagé malgré la faible autodécharge et sa capacité peut être considérablement réduite.

Il n'est pas recommandé de laisser l'accu raccordé en permanence au chargeur.

Conditions de stockage

Si possible, stockez l'accu dans un endroit sec et bien aéré. Protégez-le de l'humidité et de l'eau. Dans des conditions météorologiques défavorables, il est par ex. recommandé de retirer l'accu du vélo électrique et de le stocker jusqu'à la prochaine utilisation dans des locaux fermés.

Stockez les accus d'eBike dans les conditions suivantes :




- dans des locaux équipés d'un détecteur de fumées
- pas à proximité d'objets inflammables ou facilement inflammables
- pas à proximité de sources de chaleur

Stockez les accus à des températures comprises entre 32 °F et 68 °F. Évitez à tout prix les températures inférieures à 14 °F ou supérieures à 140 °F. Pour prolonger la durée de vie des accus, privilégiez une température de stockage de l'ordre de 68 °F.

Veillez à ne pas dépasser la température maximale de stockage. Ne laissez pas l'accu trop longtemps dans une voiture surtout en été et maintenez-le à l'abri d'une exposition directe au soleil.

Il est recommandé de ne pas laisser l'accu sur le vélo pendant les longues périodes de non-utilisation du vélo.

Dépannage

Cause	Remède
 <p>Accu défectueux</p>	<p>Deux LED de l'accu clignotent</p> <p>Consulter un vélociste autorisé.</p>
 <p>L'accumulateur est trop chaud ou trop froid</p>	<p>Trois LED de l'accu clignotent</p> <p>Déconnectez l'accu du chargeur jusqu'à ce qu'il revienne dans la plage de température de charge admissible. Ne rebranchez l'accu au chargeur que quand il a repris une température de charge admissible.</p>
 <p>Le chargeur ne charge pas.</p> <p>Recharge impossible (pas d'affichage sur l'accu)</p>	<p>Aucune LED ne clignote (selon le niveau de charge de l'accu de l'eBike, une ou plusieurs LED sont allumées en permanence).</p> <p>Consulter un vélociste autorisé.</p>
La fiche n'est pas correctement enfichée	Contrôler toutes les connexions.
Contact de l'accu encrassés	Nettoyer prudemment les contacts de l'accu.
Prise de courant, câble ou chargeur défectueux	Vérifier la tension du secteur, faire contrôler le chargeur par un vélociste
Accu défectueux	Consulter un vélociste autorisé.

Programme de recyclage des accus

Avertissements généraux

Élimination des déchets



L'unité d'entraînement, l'ordinateur de bord et son unité de commande, l'accu, le capteur de vitesse, les accessoires et l'emballage doivent être triés afin d'être recyclés de façon respectueuse de l'environnement.

Ne jetez pas les vélos électriques et leurs éléments dans les ordures ménagères !

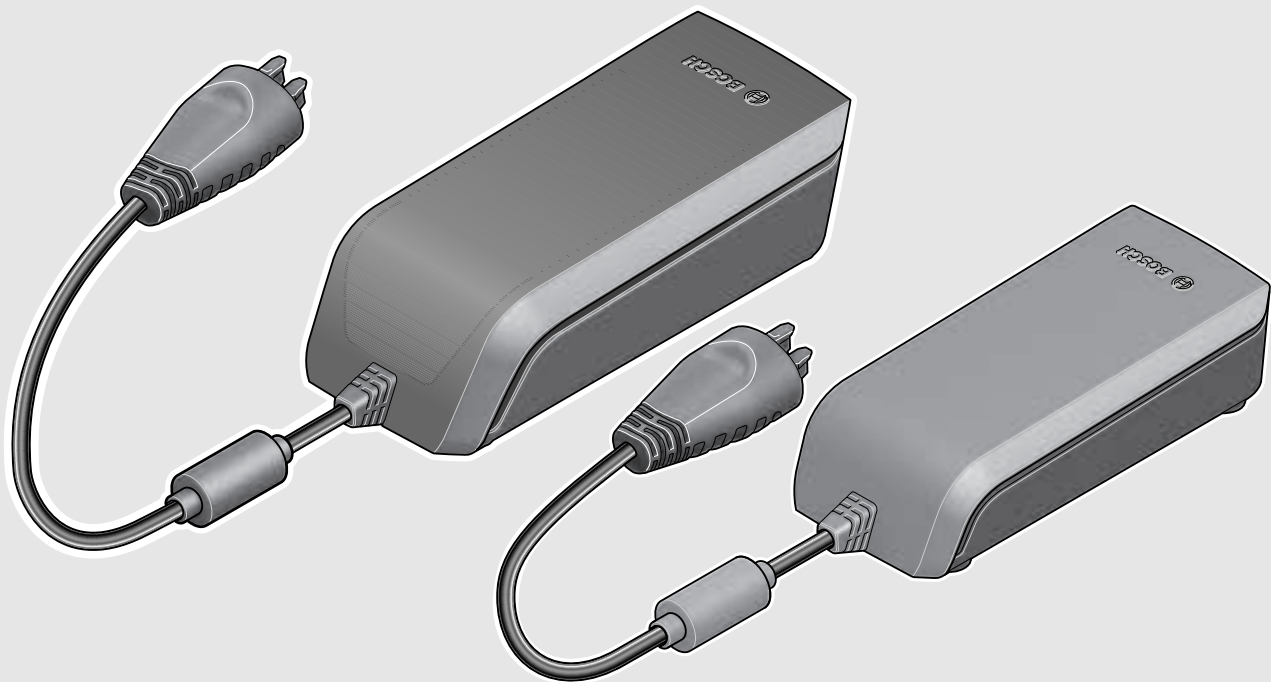
Avant de mettre au rebut un accu, appliquez du ruban adhésif autour des surfaces de contact des pôles.

Ne saisissez pas les accus d'eBike fortement endommagés avec les mains car de l'électrolyte risque de s'échapper et de provoquer des brûlures de la peau. Conservez l'accu à mettre au rebut dans un lieu sûr à l'extérieur. Recouvrez les pôles avec du ruban adhésif et informez votre revendeur. Il vous indiquera comment vous débarrasser de l'accu en respectant la législation.



Vous pouvez recycler votre accu Bosch en appelant le 1.800.822.8837.

Performance Line



Owner's Manual – The Bosch Drive System Charger

BCS210: 0 275 007 906 | BCS230: 0 275 007 915



BOSCH

fr Notice originale



Cette notice contient d'importantes informations sur la sécurité, les performances et l'entretien. Lisez-les et comprenez-les ainsi que les informations fournies par le fabricant de votre vélo avant d'utiliser le produit, et conservez-les pour référence ultérieure.



Introduction

Merci d'avoir acheté un vélo équipé du système d'entraînement Bosch !

L'équipe eBike Systems de Bosch apprécie de vous compter parmi ses clients et vous souhaite de nombreuses années d'utilisation de votre vélo en toute sécurité et pour votre entière satisfaction.

Avertissements généraux



Lisez tous les avertissements de sécurité et toutes les instructions. Le fait de ne pas respecter les avertissements et les instructions peut entraîner des blessures graves ou mortelles.

Conservez tous les avertissements et toutes les instructions pour pouvoir s'y reporter ultérieurement.

Le terme « batterie » utilisé dans la présente notice d'utilisation désigne une batterie d'eBike Bosch d'origine.

À propos des avertissements

Ce manuel contient de nombreuses mises en garde (« **DANGER** », « **AVERTISSEMENT** » et « **ATTENTION** ») portant sur les conséquences liées au non-respect des instructions relatives à l'utilisation, au montage, à l'entretien, au stockage, à l'inspection et à la mise au rebut d'un eBike équipé Bosch de manière sécurisée.

L'association du symbole d'alerte de sécurité au mot « **DANGER** » indique une situation dangereuse qui, à défaut d'être évitée, **entraînera** des blessures graves ou mortelles.

L'association du symbole d'alerte de sécurité au mot « **AVERTISSEMENT** » indique une situation dangereuse qui, à défaut d'être évitée, **peut entraîner** des blessures graves ou mortelles.

L'association du symbole d'alerte de sécurité au mot « **ATTENTION** » indique une situation dangereuse qui, à défaut d'être évitée, peut entraîner des blessures légères ou modérées.

⚠ AVERTISSEMENT

- ▶ **Cette notice contient d'importantes informations sur la sécurité, les performances et l'entretien.** Veuillez la lire avant d'utiliser votre vélo pour la première fois, et la conserver pour référence ultérieure. Vous pouvez également retrouver cette notice en ligne à l'adresse www.bosch-ebike.com.
- ▶ **Cette notice est destinée à être lue conjointement avec le manuel utilisateur séparé fourni avec votre vélo.** Assurez-vous de lire tous les documents fournis y compris les étiquettes apposées sur le produit avant la première utilisation.

- ▶ **Lisez TOUS les manuels et TOUTES les notices jointes avant d'utiliser votre vélo pour la première fois.** Votre système d'entraînement Bosch est livré avec d'autres manuels et documents fournis par le fabricant du vélo et des autres éléments. Ne pas lire ou ne pas comprendre les informations de sécurité peut entraîner des blessures graves ou mortelles.
- ▶ **Assumez la responsabilité de votre propre SÉCURITÉ.** En cas de question ou d'incompréhension, contactez votre revendeur ou le fabricant du vélo ou de l'élément.
- ▶ **Certains accessoires de l'eBike peuvent présenter un risque d'étouffement pour les petits enfants.** Conservez ces accessoires hors de portée des enfants.

⚠ ATTENTION

- ▶ **Le système d'entraînement Bosch alourdit votre vélo. Vous n'avez peut-être pas l'habitude de le soulever.** Évitez de vous blesser en utilisant des techniques de levage appropriées.

Utilisation de votre notice d'utilisation

Nous nous réservons le droit d'apporter à tout moment des modifications au logiciel pour corriger des erreurs ou pour étendre les fonctionnalités décrites dans la présente notice.

Graphiques

Le vélo illustré dans cette notice peut être légèrement différent de votre vélo, mais il est suffisamment similaire pour vous permettre de comprendre nos instructions.

Les côtés DROIT et GAUCHE sont déterminés en se plaçant en situation, dans le sens de la marche du vélo. Lorsqu'une ligne en pointillé (-----) apparaît, l'élément auquel il est fait référence n'est pas visible.

Étiquettes d'avertissement sur le produit

A

eBike Battery Charger 36-4/100-230
0 275 007 906
 Input: 100V - 230V ~ 50-60Hz 2.2A
 Output: 36V = 4A
 Made in PRC
 Robert Bosch GmbH, Reutlingen

This device complies with part 15 of the FCC Rules. Operation is subject to the following two conditions: (1) This device may not cause harmful interference, and (2) this device must accept any interference received, including interference that may cause undesired operation.

⚠ WARNING For safe operation see manual. Risk of electric shock. Dry location use only. Charge only batteries of the Bosch eBike Systems. Other batteries may burst causing personal damage. Do not replace the plug assembly as risk of fire or electric shock may result.

⚠ ADVERTENCIA Para un funcionamiento con seguridad, ver el manual Peligro de sacudida eléctrica. Utilice solamente en lugares secos. Cargar únicamente baterías de sistemas eBike de Bosch. Otras baterías podrían reventar, causando lesiones personales y daños. No reemplace el ensamblaje del enchufe, ya que el resultado puede ser riesgo de incendio o sacudidas eléctricas.

⚠ AVERTISSEMENT Pour un fonctionnement sûr, reportez-vous au manuel. Risque de choc électrique. Utiliser en lieu sec uniquement. A utiliser uniquement avec les batteries des systèmes d'assistance électrique eBike de Bosch. D'autres batteries risqueraient d'éclater et de causer des blessures corporelles et des dommages. Ne pas remplacer la connectique car un risque d'incendie ou de choc électrique pourrait en résulter.

BPF
 CE
 UL US LISTED BATTERY CHARGER E472024
 BC
 SI

B

eBike Battery Charger 36-2/100-240
0 275 007 915 Compact Charger
 Input: 100-240V ~ 50/60Hz 1.6A
 Output: 36V = 2A
 Made in PRC
 Robert BOSCH GmbH, Reutlingen

This device complies with part 15 of the FCC Rules. Operation is subject to the following two conditions: (1) This device may not cause harmful interference, and (2) this device must accept any interference received, including interference that may cause undesired operation.

⚠ WARNING For safe operation see manual. Risk of electric shock. Indoor use only. Charge only batteries of the Bosch eBike Systems. Other batteries may burst causing personal damage. Do not replace the plug assembly as risk of fire or electric shock may result.

⚠ ADVERTENCIA Para un funcionamiento con seguridad, ver el manual Peligro de sacudida eléctrica. Utilice solamente en lugares secos. Cargar únicamente baterías de sistemas eBike de Bosch. Otras baterías podrían reventar, causando lesiones personales y daños. No reemplace el ensamblaje del enchufe, ya que el resultado puede ser riesgo de incendio o sacudidas eléctricas.

⚠ AVERTISSEMENT Pour un fonctionnement sûr, reportez-vous au manuel. Risque de choc électrique. Utiliser en lieu sec uniquement. A utiliser uniquement avec les batteries des systèmes d'assistance électrique eBike de Bosch. D'autres batteries risqueraient d'éclater et de causer des blessures corporelles et des dommages. Ne pas remplacer la connectique car un risque d'incendie ou de choc électrique pourrait en résulter.

BPF
 CE
 UL US
 BATTERY CHARGER E000000
 BC
 SI

Li-Ion USE ONLY with BOSCH Li-Ion batteries

A Wide range charger

B Compact charger

Vous trouverez sous le chargeur un résumé des consignes de sécurité importantes en anglais, français et espagnol avec le texte suivant (voir la position **4** sur la page avec les graphiques) :

- Pour un fonctionnement sûr, reportez-vous au manuel.
- Risque de choc électrique.
- Utiliser en lieu sec uniquement.
- A utiliser uniquement avec les batteries des systèmes d'assistance électrique eBike de Bosch. D'autres batteries risqueraient d'éclater et de causer des blessures corporelles et des dommages.
- Ne pas remplacer la connectique car un risque d'incendie ou de choc électrique pourrait en résulter.

Utilisation du chargeur « Charger »

Avertissements de sécurité

CONSIGNES DE SÉCURITÉ IMPORTANTES CONSERVEZ CES INSTRUCTIONS –

Ce manuel contient des consignes de sécurité et d'utilisation importantes pour ce chargeur de batterie.

- ▶ **Avant d'utiliser le chargeur, lisez attentivement toutes les instructions et tous les avertissements relatifs au chargeur, à la batterie et au produit utilisant la batterie.**
- ▶ **ATTENTION :** Pour réduire les risques d'accident, ne chargez que les batteries du système eBike Bosch. Les autres types de batteries risquent de provoquer des blessures et des dommages matériels.



Lisez et comprenez tous les avertissements et toutes les instructions.

Le fait de ne pas respecter les avertissements ci-dessous peut entraîner des blessures graves ou mortelles.

Conservez tous les avertissements et toutes les instructions pour pouvoir s'y reporter ultérieurement.

Le terme « batterie » utilisé dans la présente notice d'utilisation désigne une batterie d'eBike Bosch d'origine.

⚠ DANGER

- ▶ **Ne chargez que des accus Li-ion autorisés par Bosch pour les vélos électriques. La tension d'accumulateurs doit correspondre à la tension de charge de l'accumulateur du chargeur.** Sinon, il y a un risque d'incendie et d'explosion.



N'exposez pas le chargeur à la pluie ou à des conditions humides. Dans le cas de pénétration d'eau dans un chargeur il y a le risque d'un choc électrique.

⚠ AVERTISSEMENT

- ▶ **Utilisez uniquement le chargeur de batterie Bosch d'origine fourni avec votre eBike ou un chargeur approuvé par le fabricant et acheté auprès d'une source fiable.** Tout contournement ou toute utilisation d'un chargeur de batterie de contrefaçon ou non approuvé peut entraîner des blessures graves ou mortelles.

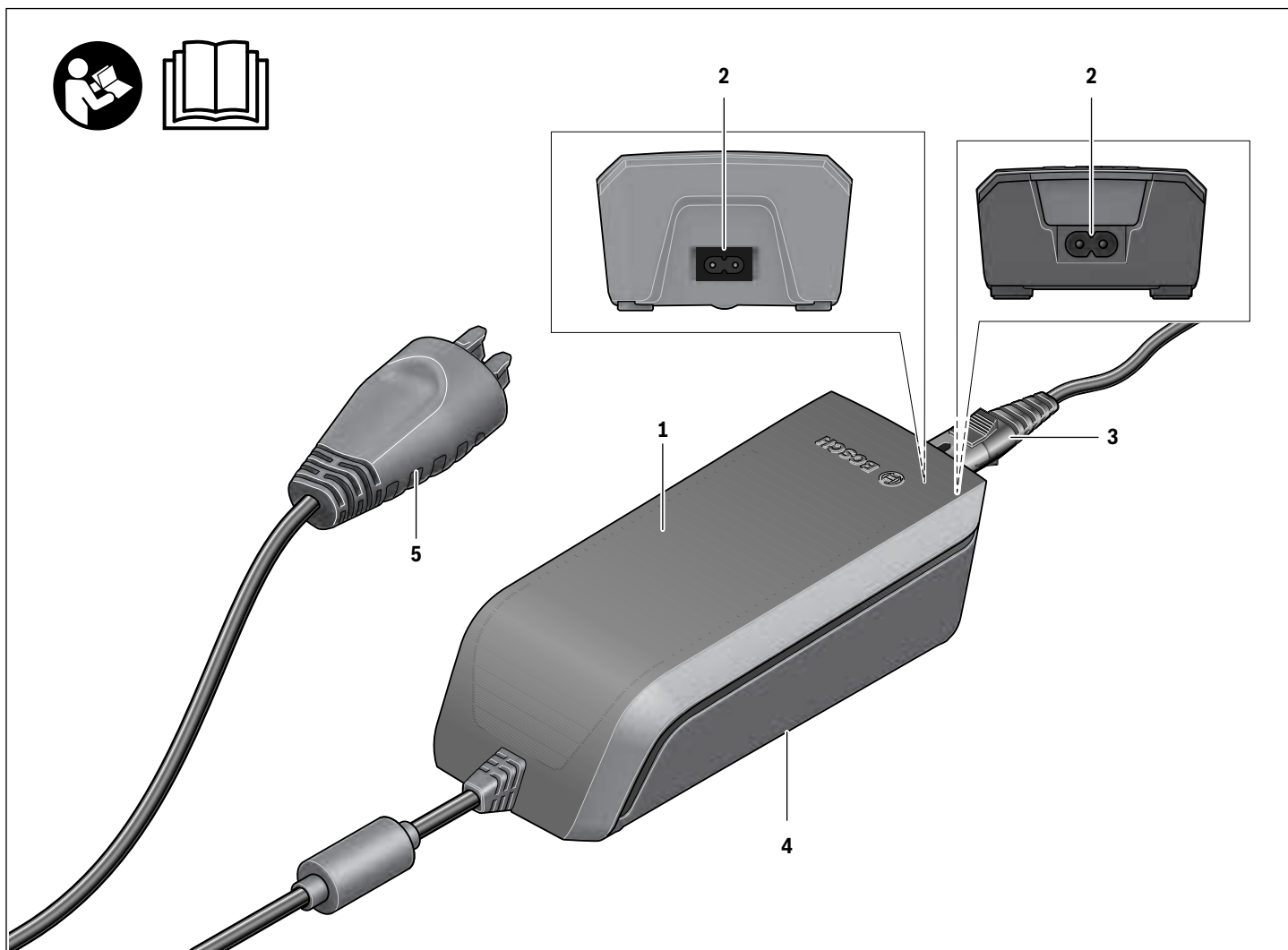
- ▶ **Conservez le chargeur de batterie propre.** Une contamination peut provoquer un risque de choc électrique. Nettoyez uniquement à l'aide d'un chiffon humide (savon doux/eau).
- ▶ **Contrôlez le chargeur, le câble et le connecteur avant chaque utilisation. N'utilisez pas le chargeur s'il n'est pas en parfait état. N'ouvrez jamais le chargeur.** Des chargeurs, câbles et connecteurs endommagés augmentent le risque de choc électrique.
- ▶ **Ne pas utiliser le chargeur sur un support facilement inflammable (tel que papier, textiles etc.) ou dans un environnement inflammable.** L'échauffement du chargeur lors du processus de charge augmente le risque d'incendie.
- ▶ **Soyez prudent lorsque vous touchez le chargeur pendant le processus de charge. Porter des gants de protection.** Le chargeur peut s'échauffer fortement surtout en cas de température ambiante élevée.
- ▶ **En cas d'endommagement et d'utilisation non conforme de l'accu, des vapeurs peuvent s'échapper. Bien aérer le local et consulter un médecin en cas de malaise.** Les vapeurs peuvent irriter les voies respiratoires.
- ▶ **Ne placez jamais le chargeur et l'accu près de matériaux inflammables. Ne chargez les accus qu'à l'état sec et dans un endroit résistant au feu.** Il y a en effet un risque d'incendie pendant la charge du fait de l'échauffement de l'accu.
- ▶ **Ne pas laisser l'accu de l'eBike sans surveillance pendant sa recharge.**
- ▶ **Les accus ne doivent pas être soumis à des impacts mécaniques.** L'accu peut être alors endommagé et entraîner l'échappement de vapeurs. Ces vapeurs peuvent irriter le système respiratoire. Faites entrer de l'air frais et consultez un médecin en cas d'inhalation.
- ▶ **Conservez le chargeur de batterie hors de portée des enfants.** Aucun enfant ne jouera ainsi avec le chargeur.

- Les personnes qui, en raison de leur handicap physique, sensoriel ou mental ou de leur manque d'expérience ou de connaissances, ne sont pas capables d'utiliser de manière sûre le chargeur, peuvent uniquement utiliser ce chargeur sous la surveillance d'une personne responsable ou après avoir reçu des instructions concernant son utilisation.

Dans le cas contraire, il existe un risque d'erreur d'utilisation et de blessures.

- Lisez et respectez les consignes de sécurité et les instructions de toutes les notices d'utilisation du système eBike, ainsi que la notice d'utilisation de votre eBike.

Description et performances du produit



Caractéristiques produit

- 1 Chargeur
- 2 Prise d'appareil
- 3 Fiche de l'appareil
- 4 Consignes de sécurité du chargeur
- 5 Fiche de charge

Caractéristiques techniques

Chargeur		Wide Range Charger (36-4/100-230)	Compact Charger (36-2/100-240)
N° d'article		0 275 007 906	0 275 007 915
Tension nominale	V~	90...264	90...264
Fréquence	Hz	47...63	47...63
Tension de charge de l'accu	V _{DC}	36	36
Courant de charge	A	4	2
Durée de charge, env.			
- PowerPack 400	h	3,5	6,5
- PowerPack 500	h	4,5	7,5
Température de fonctionnement	°F	+32...+104	+32...+104
Température de stockage	°F	+14...+122	+14...+122
Poids, env.	lb	1,8	1,3
Type de protection		IP 40	IP 40

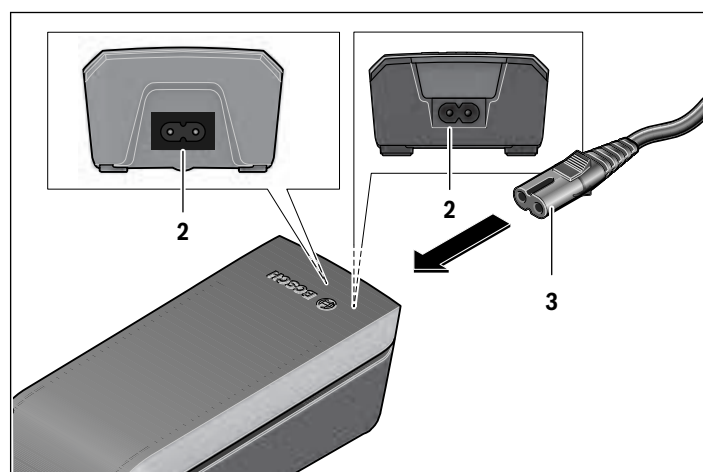
Câble secteur

N° d'article		1 270 020 343
Tension nominale - Câble	V~	300
Tension nominale - Connecteur	V~	125
Courant nominal - Connecteur	A	10
Matériau - Câble		PVC
Norme de sécurité - Câble		UL62
Norme de sécurité - Connecteur		UL817
Longueur approx.	m	1,8

Fonctionnement

Mise en service

Raccordement du chargeur au réseau électrique



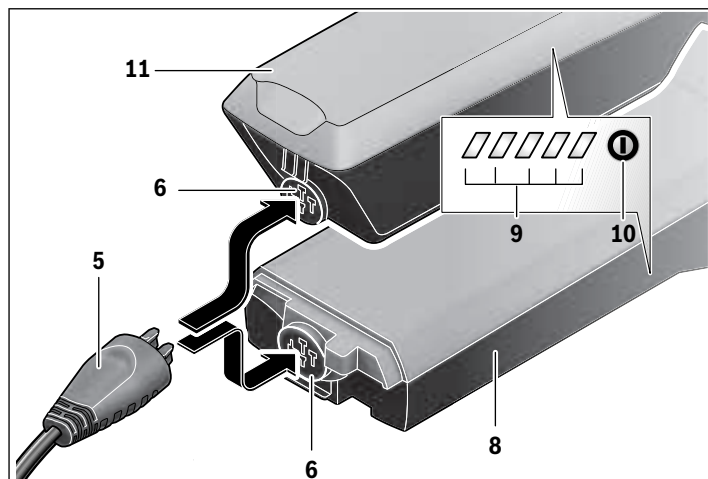
► **Respectez la tension du secteur !** La tension de l'alimentation doit correspondre aux données indiquées sur la plaque signalétique du chargeur de batterie.

Branchez la fiche **3** du câble secteur à la douille de l'appareil **2** sur le chargeur.

Branchez le câble de secteur (différent selon le pays) sur le réseau d'alimentation électrique.

Utilisez uniquement le câble d'alimentation secteur standard fourni (**3** sur le diagramme) pour le branchement à une prise électrique domestique.

Recharge de l'accu en dehors du vélo



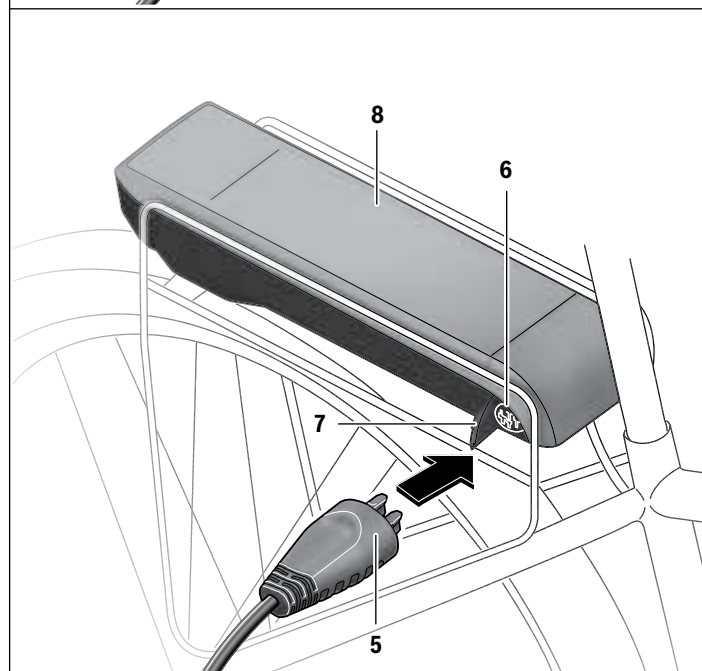
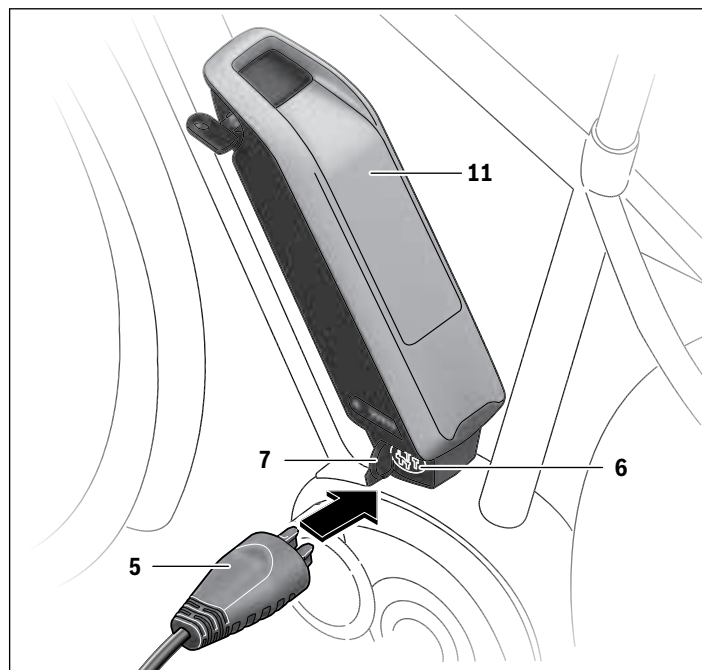
- 5 Fiche de charge
- 6 Prise pour fiche de charge
- 8 Accu de porte-bagages
- 9 Voyant de fonctionnement et d'état de charge
- 10 Touche Marche/Arrêt de l'accu
- 11 Accu standard

Éteignez l'accu et retirez-le de la fixation sur le vélo électrique. Lisez et respectez la notice d'utilisation de l'accu.

- **Ne placez l'accu que sur des surfaces propres.** Évitez tout encrassement de la douille de charge et des contacts, par ex. par du sable ou de la terre.

Branchez la fiche de charge 5 du chargeur à la douille 6 sur l'accu.

Recharge de la batterie sur le vélo



Eteignez l'accu. Nettoyez le couvercle de la prise de charge 7. Évitez tout encrassement de la prise de charge et des contacts, par ex. par du sable ou de la terre. Soulevez le couvercle de la prise de charge 7 et connectez la fiche de charge 5 à la prise de charge 6.

- **Chargez l'accu en observant toutes les consignes de sécurité.** Si toutes les consignes de sécurité ne peuvent pas être respectées, retirez l'accu de son support sur le vélo et chargez-le à un endroit approprié. Lisez et observez la notice d'utilisation de l'accu.

Processus de charge en cas d'utilisation de deux accus

Quand les deux accus sont en place dans leur fixation, ces derniers peuvent être rechargés au niveau de la prise électrique non obturée. Pendant le processus de charge, les deux accus sont chargés alternativement. L'électronique de charge commute automatiquement, à plusieurs reprises, entre les deux accus. Les temps de charge s'additionnent.

Pendant la conduite, les deux accus se déchargent aussi en alternance.

Il est également possible de recharger séparément chaque accu en le sortant de sa fixation.

Processus de charge

La charge débute dès que le chargeur est connecté à l'accu ou à la prise de charge sur le vélo et au réseau d'alimentation électrique.

Note : Pour qu'une charge soit possible, il faut que la température de l'accu de l'eBike se trouve dans la plage de températures de charge admissible.

Note : Pendant la durée de la charge, l'unité d'entraînement est désactivée.

La charge de l'accu peut s'effectuer avec ou sans ordinateur de bord. En l'absence d'ordinateur de bord, le voyant lumineux d'état de charge de l'accu permet de connaître l'avancement du processus de charge.

Quand un ordinateur de bord est connecté, un message spécifique s'affiche sur l'écran.

Le niveau de charge est indiqué par le voyant lumineux **9** de l'accu et par les barres du symbole d'accu sur l'ordinateur de bord.

Pendant le processus de charge, les LED de l'affichage de l'état de charge **9** s'allument sur l'accu. Chaque LED allumée en permanence correspond à environ 20 % de capacité de charge. La LED clignotante indique le processus de charge des 20 % suivants.

Une fois que l'accu de l'eBike est complètement chargé, les LED ainsi que l'ordinateur de bord s'éteignent. La charge est terminée. En cas d'actionnement de la touche Marche/Arrêt **10** de l'accu, le niveau de charge s'affiche pendant 3 secondes.

Déconnectez le chargeur du réseau électrique et l'accu du chargeur.

Lorsque l'accu est déconnecté du chargeur, il est automatiquement éteint.

Note : Si vous avez effectué la recharge sur le vélo, refermez avec précaution le couvercle **7** de la prise de charge **6** afin d'éviter toute pénétration de saletés ou d'eau.

Si vous ne déconnectez pas l'accu du chargeur au terme de la charge, le chargeur se rallume automatiquement au bout de quelques heures afin de vérifier le niveau de charge. Il initie si nécessaire un nouveau processus de charge.

Entretien/nettoyage

⚠ AVERTISSEMENT

- ▶ **N'ouvrez aucun élément. L'entretien doit uniquement être effectué par un revendeur eBike Bosch autorisé.** Le fait de ne pas respecter l'avertissement ci-dessus peut entraîner des blessures graves ou mortelles. Reportez-vous au manuel de votre vélo ou au manuel de l'élément pour tous les éléments ne faisant pas partie du système d'entraînement Bosch.
- ▶ **Ne rechargez pas et n'utilisez pas votre eBike dans une zone présentant une atmosphère potentiellement explosive, par exemple dans une station-service ou dans des zones dans lesquelles l'air contient des produits chimiques ou des particules (telles que des grains, de la poussière ou des poudres métalliques).** Respectez tous les panneaux et toutes les instructions.
- ▶ **Ne plongez pas vos composants eBike dans l'eau et ne les lavez pas avec un pulvérisateur haute pression.** Votre unité d'entraînement Bosch est conçue pour être étanche à l'eau de pluie ou à un tuyau d'arrosage sans pression.
- ▶ **Ne peignez aucun élément du système d'entraînement Bosch car cela peut entraîner une défaillance prématurée de l'élément.**




Service Après-Vente et Assistance Clients

Pour toutes les questions concernant le système eBike et ses éléments, adressez-vous à un vélociste autorisé.

Vous trouverez les données de contact de vélocistes autorisés sur le site internet **www.bosch-ebike.com**

Si l'accu ne peut plus fonctionner, veuillez vous adresser à un vélociste autorisé.

Dépannage

Cause	Remède
 <p>Accu défectueux</p>	<p>Deux LED de l'accu clignotent</p> <p>Consulter un vélociste autorisé.</p>
 <p>L'accumulateur est trop chaud ou trop froid</p>	<p>Trois LED de l'accu clignotent</p> <p>Déconnectez l'accu du chargeur jusqu'à ce qu'il revienne dans la plage de température de charge admissible. Ne rebranchez l'accu au chargeur que quand il a repris une température de charge admissible.</p>
 <p>Le chargeur ne charge pas.</p> <p>Recharge impossible (pas d'affichage sur l'accu)</p>	<p>Aucune LED ne clignote (selon le niveau de charge de l'accu de l'eBike, une ou plusieurs LED sont allumées en permanence).</p> <p>Consulter un vélociste autorisé.</p>
La fiche n'est pas correctement enfichée	Contrôler toutes les connexions.
Contacts de l'accu encrassés	Nettoyer prudemment les contacts de l'accu.
Prise de courant, câble ou chargeur défectueux	Vérifier la tension du secteur, faire contrôler le chargeur par un vélociste
Accu défectueux	Consulter un vélociste autorisé.

Programme de recyclage des accus

Avertissements généraux

Élimination des déchets



L'unité d'entraînement, l'ordinateur de bord et son unité de commande, l'accu, le capteur de vitesse, les accessoires et l'emballage doivent être triés afin d'être recyclés de façon respectueuse de l'environnement.

Ne jetez pas les vélos électriques et leurs éléments dans les ordures ménagères !



Vous pouvez recycler votre accu Bosch en appelant le 1.800.822.8837.

Performance Line



Owner's Manual – The Bosch Drive System Intuvia

BUI251: 1 270 020 906 | BUI255: 1 270 020 909



BOSCH

fr Notice originale



Cette notice contient d'importantes informations sur la sécurité, les performances et l'entretien. Lisez-les et comprenez-les ainsi que les informations fournies par le fabricant de votre vélo avant d'utiliser le produit, et conservez-les pour référence ultérieure.



Introduction

Merci d'avoir acheté un vélo équipé du système d'entraînement Bosch !

L'équipe eBike Systems de Bosch apprécie de vous compter parmi ses clients et vous souhaite de nombreuses années d'utilisation de votre vélo en toute sécurité et pour votre entière satisfaction.

Avertissements généraux



Lisez tous les avertissements de sécurité et toutes les instructions. Le fait de ne pas respecter les avertissements et les instructions peut entraîner des blessures graves ou mortelles.

Conservez tous les avertissements et toutes les instructions pour pouvoir s'y reporter ultérieurement.

Le terme « batterie » utilisé dans la présente notice d'utilisation désigne une batterie d'eBike Bosch d'origine.

À propos des avertissements

Ce manuel contient de nombreuses mises en garde (« **DANGER** », « **AVERTISSEMENT** » et « **ATTENTION** ») portant sur les conséquences liées au non-respect des instructions relatives à l'utilisation, au montage, à l'entretien, au stockage, à l'inspection et à la mise au rebut d'un eBike équipé Bosch de manière sécurisée.

L'association du symbole d'alerte de sécurité au mot « **DANGER** » indique une situation dangereuse qui, à défaut d'être évitée, **entraînera** des blessures graves ou mortelles.

L'association du symbole d'alerte de sécurité au mot « **AVERTISSEMENT** » indique une situation dangereuse qui, à défaut d'être évitée, **peut entraîner** des blessures graves ou mortelles.

L'association du symbole d'alerte de sécurité au mot « **ATTENTION** » indique une situation dangereuse qui, à défaut d'être évitée, peut entraîner des blessures légères ou modérées.

▲ AVERTISSEMENT

- **Cette notice contient d'importantes informations sur la sécurité, les performances et l'entretien.** Veuillez la lire avant d'utiliser votre vélo pour la première fois, et la conserver pour référence ultérieure. Vous pouvez également retrouver cette notice en ligne à l'adresse www.bosch-ebike.com.

- **Cette notice est destinée à être lue conjointement avec le manuel utilisateur séparé fourni avec votre vélo.** Assurez-vous de lire tous les documents fournis y compris les étiquettes apposées sur le produit avant la première utilisation.

- **Lisez TOUS les manuels et TOUTES les notices jointes avant d'utiliser votre vélo pour la première fois.** Votre système d'entraînement Bosch est livré avec d'autres manuels et documents fournis par le fabricant du vélo et des autres éléments. Ne pas lire ou ne pas comprendre les informations de sécurité peut entraîner des blessures graves ou mortelles.

- **Assumez la responsabilité de votre propre SÉCURITÉ.** En cas de question ou d'incompréhension, contactez votre revendeur ou le fabricant du vélo ou de l'élément.

- **Certains accessoires de l'eBike peuvent présenter un risque d'étouffement pour les petits enfants.** Conservez ces accessoires hors de portée des enfants.

▲ ATTENTION

- **Le système d'entraînement Bosch alourdit votre vélo. Vous n'avez peut-être pas l'habitude de le soulever.** Évitez de vous blesser en utilisant des techniques de levage appropriées.

Utilisation de votre notice d'utilisation

Graphiques

Le vélo illustré dans cette notice peut être légèrement différent de votre vélo, mais il est suffisamment similaire pour vous permettre de comprendre nos instructions.

Les côtés DROIT et GAUCHE sont déterminés en se plaçant en situation, dans le sens de la marche du vélo. Lorsqu'une ligne en pointillé (-----) apparaît, l'élément auquel il est fait référence n'est pas visible.

Utilisation de votre système d'entraînement Bosch

Avertissements de sécurité



Lisez toutes les consignes de sécurité et instructions. Le non-respect de ces consignes de sécurité et instructions peut entraîner un choc électrique, un incendie et/ou de graves blessures.

Conservez toutes les consignes de sécurité et instructions pour l'avenir.

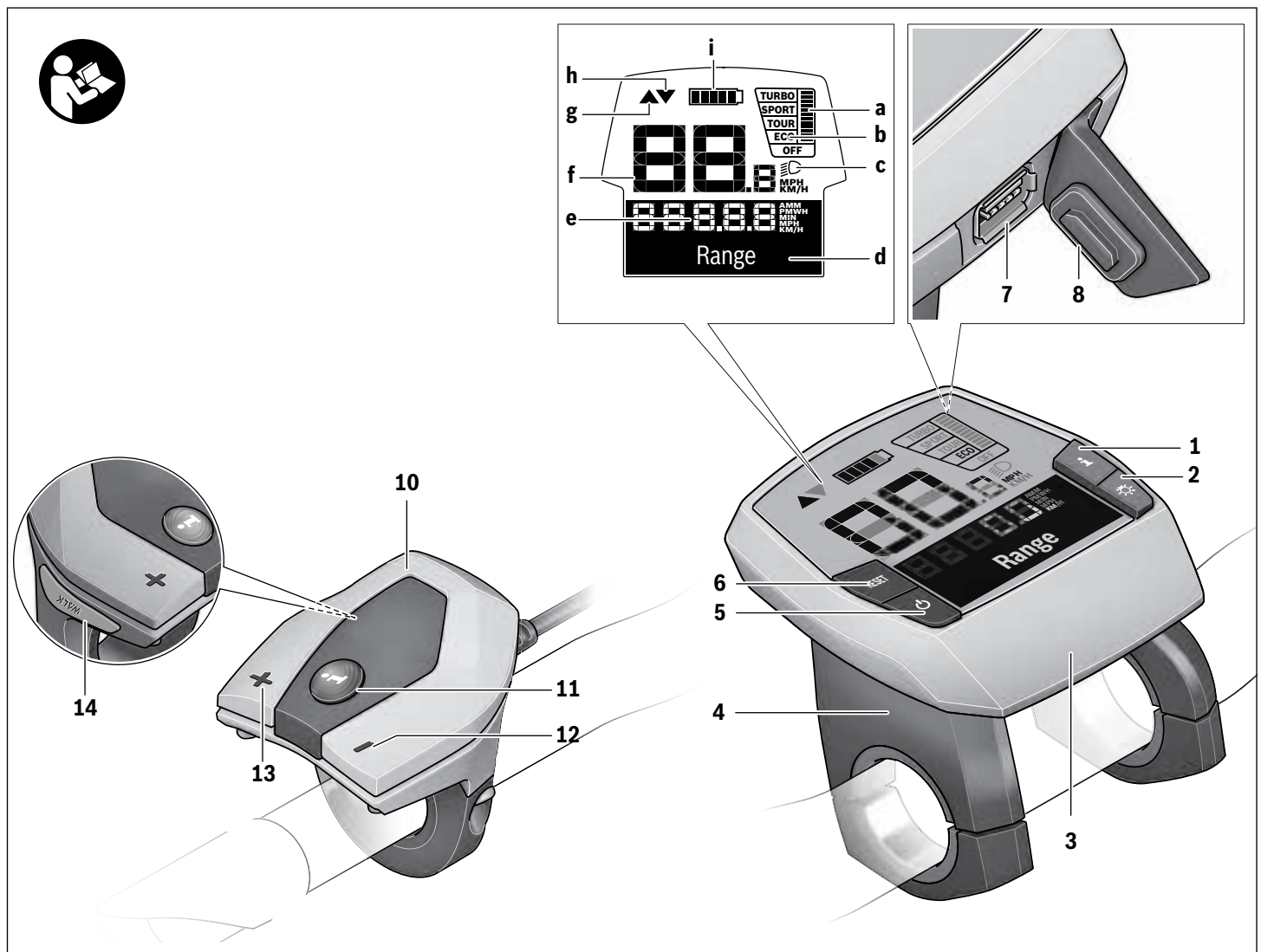
Le terme « accu » utilisé dans la présence notice d'utilisation désigne un accu/une batterie d'eBike Bosch d'origine.

- **N'utilisez pas l'ordinateur de bord comme une poignée.** Si vous soulevez l'eBike en le saisissant par l'ordinateur de bord, vous risquez d'abîmer définitivement l'ordinateur de bord.

- **Ne vous laissez pas distraire par l'affichage de l'ordinateur de bord.** Si vous ne vous concentrez pas uniquement sur la circulation, vous risquez d'être impliqué dans un accident. Si vous souhaitez procéder au changement du niveau d'assistance et saisir des entrées dans votre ordinateur de bord, arrêtez-vous et entrez les données appropriées.

- **Lisez et respectez les consignes de sécurité et les instructions de toutes les notices d'utilisation du système eBike, ainsi que la notice d'utilisation de votre eBike.**

Description et performances du produit



Caractéristiques produit

- 1 Touche pour la fonction d'affichage « **i** »
- 2 Touche d'éclairage « **light** »
- 3 Ordinateur de bord Intuvia
- 4 Support ordinateur de bord Intuvia
- 5 Bouton Marche/Arrêt de l'ordinateur de bord
- 6 Touche de remise à zéro « **RESET** »
- 7 Douille USB
- 8 Capuchon de protection de la douille USB
- 10 Unité de commande
- 11 Touche pour la fonction d'affichage « **i** » sur l'unité de commande
- 12 Touche Réduction de l'assistance/défiler vers le bas « **-** »
- 13 Touche Augmenter l'assistance/défiler vers le haut « **+** »
- 14 Touche pour l'assistance de poussée « **WALK** »*

*Non exécutable dans certains pays

Informations sur l'ordinateur de bord

- a Affichage de l'assistance de l'unité d'entraînement
- b Affichage du niveau d'assistance
- c Symbole d'éclairage
- d Texte affiché
- e Affichage des valeurs
- f Indicateur tachymétrique
- g Recommandation de changement de vitesse : vitesse supérieure
- h Recommandation de changement de vitesse : vitesse inférieure
- i Voyant lumineux indiquant l'état de charge de l'accu

Caractéristiques techniques

Ordinateur de bord		Intuvia
N° d'article		1 270 020 906/909
Courant de charge max. de la connexion USB	mA	500
Tension de charge de la connexion USB	V	5
Câble de charge USB *		1 270 016 360
Température de fonctionnement	°F	+23... +104
Température de stockage	°F	+14... +122
Température de charge	°F	+32... +104
Batterie Li-ion interne	V mAh	3,7 230
Type de protection**		IP 54 (étanche à la poussière et aux projections d'eau)
Poids, env.	lb	0,3

*) non compris dans la livraison standard

**) avec le cache de protection USB fermé

Cet appareil est conforme à la section 15 des réglementations FCC. Son fonctionnement est soumis aux deux conditions suivantes:

- (1) cet appareil ne doit pas causer d'interférences nuisibles, et
- (2) cet appareil doit accepter toutes les interférences, y compris celles qui pourraient provoquer un fonctionnement non souhaitable de l'appareil.

Cet appareil est conforme au Règlement CAN ICES-3(B)/NM B-3(B).

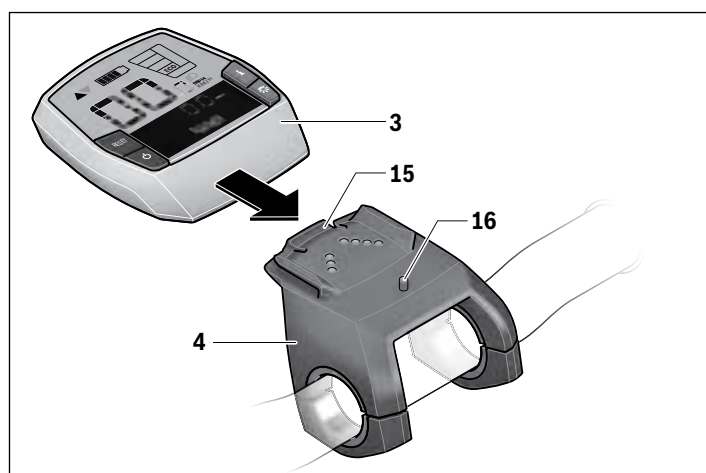
Le système eBike de Bosch utilise FreeRTOS (cf. www.freertos.org)

Montage

Insertion et retrait de l'accu

Pour insérer l'accu dans l'eBike et pour le retirer, veuillez lire et respecter la notice d'utilisation de l'accu.

Insertion et retrait de l'ordinateur de bord



- 3** Ordinateur de bord
- 4** Support ordinateur de bord
- 15** Dispositif d'arrêt de l'ordinateur de bord
- 16** Vis de blocage de l'ordinateur de bord

Pour **insérer** l'ordinateur de bord **3**, faites-le glisser dans le support **4** à partir de l'avant.

Pour **retirer** l'ordinateur de bord **3**, appuyez sur le dispositif d'arrêt **15** et faites-le glisser hors du support **4** vers l'avant.

► Retirez l'ordinateur de bord lorsque vous garez l'eBike.

Il est également possible de verrouiller l'ordinateur de bord dans son support pour qu'il ne puisse pas être enlevé. Pour cela, démontez le support **4** du guidon. Placez l'ordinateur de bord sur le support. Vissez par le dessous la vis de blocage **16** (filetage M3, 8 mm de long) dans le trou fileté du support prévu à cet effet. Remontez le support sur le guidon.

Note : La vis de blocage ne fait pas office de protection antivol.

Mise en marche

Conditions préalables

Le système eBike ne peut être activé que si les conditions suivantes sont remplies :

- Un accu suffisamment chargé est monté (voir notice d'utilisation de l'accu).
- L'ordinateur de bord est correctement monté dans la fixation.
- L'ordinateur de bord est correctement branché.

Mise en service

Mise marche/Arrêt du système eBike

Pour mettre le système eBike **en marche**, vous avez les possibilités suivantes :

- Si l'ordinateur de bord est déjà allumé lors de l'insertion dans le support, le système eBike se met en marche automatiquement.
- Une fois l'ordinateur de bord et l'accu eBike insérés, appuyez brièvement une fois sur le bouton Marche/Arrêt 5 de l'ordinateur de bord.
- Une fois l'ordinateur de bord inséré, appuyez sur le bouton Marche/Arrêt de l'accu eBike (certains fabricants de vélos proposent des solutions sans accès possible au bouton Marche/Arrêt de l'accu ; voir la notice d'utilisation de l'accu).

Après la mise en marche, le système eBike est en mode « **OFF** ». Sélectionnez le niveau d'assistance souhaité, puis roulez.

Le système d'entraînement est activé dès que vous appuyez sur les pédales. Le degré d'assistance est déterminé par les paramètres de configuration de l'ordinateur de bord.

Dès que vous arrêtez de pédaler ou dès que vous avez atteint une vitesse de 20 mph, l'unité d'entraînement du vélo électrique désactive l'assistance. L'assistance moteur est automatiquement activée à nouveau dès que vous pédalez et que la vitesse est inférieure à 20 mph.



Pour **arrêter** le système eBike, vous avez les possibilités suivantes :

- Appuyez sur le bouton Marche/Arrêt **5** de l'ordinateur de bord.
- Éteignez l'accu en appuyant sur le bouton Marche/Arrêt de l'accu eBike (certains fabricants de vélos proposent des solutions sans accès possible au bouton Marche/Arrêt de l'accu ; voir la notice d'utilisation de l'accu).
- Retirez l'ordinateur de bord du support.

Après 10 min d'immobilité du vélo électrique **sans** actionnement d'aucune touche de l'ordinateur de bord, le système eBike s'éteint automatiquement pour économiser l'énergie.

eShift (option)

eShift indique qu'un système de passage de vitesses électronique est associé au système eBike. Les composants eShift sont reliés électriquement à l'unité d'entraînement par le fabricant. Les systèmes de passage de vitesses électroniques sont décrits dans une notice d'utilisation à part.

Affichage et configuration de l'ordinateur de bord

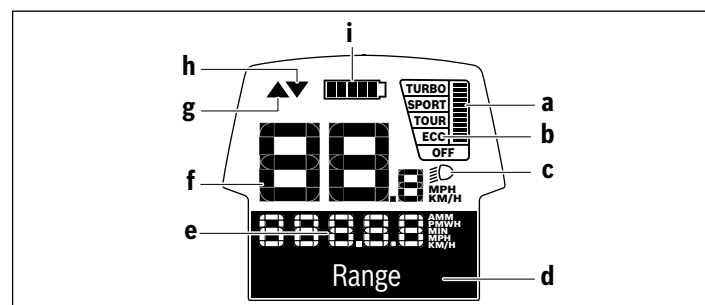
Alimentation en énergie de l'ordinateur de bord

Si l'ordinateur repose sur son support **4**, si l'accu monté sur le eBike est suffisamment chargé et si le système eBike est activé, l'ordinateur de bord est alimenté en énergie par l'accu de l'eBike.

Si l'ordinateur de bord est retiré du support **4**, l'alimentation en énergie s'effectue via un accu interne. Si l'accu interne est faible au moment de l'allumage de l'ordinateur de bord, le message « **Connecter au vélo** » s'affiche pendant 3 s sur l'afficheur de texte **d**. Ensuite, l'ordinateur de bord s'éteint.

Pour recharger l'accu interne, remettez l'ordinateur de bord dans le support **4** (si un accu est inséré dans l'eBike). Mettez l'accu eBike en marche au moyen de son bouton Marche-arrêt (voir la notice d'utilisation de l'accu).

Vous pouvez également recharger l'ordinateur de bord via le port USB. Il vous suffit alors d'ouvrir le cache de protection **8**. Branchez la prise USB **7** de l'ordinateur de bord via un câble USB compatible à un chargeur USB standard ou au port USB d'un ordinateur (tension de charge de 5 V, courant de charge maxi 500 mA). Sur l'afficheur de texte **d** de l'ordinateur de bord, apparaît la mention « **USB connectée** ».



Allumer/éteindre l'ordinateur de bord

Pour **allumer** l'ordinateur de bord, appuyez brièvement sur le bouton marche-arrêt **5**. L'ordinateur de bord peut (si l'accu interne est assez chargé) être allumé même s'il n'est pas monté dans le support.

Pour **éteindre** l'ordinateur de bord, appuyez sur la touche marche-arrêt **5**.


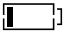
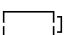
Si l'ordinateur de bord n'est pas monté dans son support, il s'éteint automatiquement après 1 minute d'inactivité, pour des raisons d'économie d'énergie.

- **Si vous n'utilisez pas votre eBike pendant plusieurs semaines, retirez l'ordinateur de bord de son support.** Conservez l'ordinateur de bord dans un endroit sec, à la température ambiante. Rechargez régulièrement son accu (au moins tous les 3 mois).

Voyant lumineux indiquant l'état de charge de l'accu

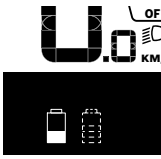
L'indicateur de charge de l'accu **i** indique le niveau de charge de l'accu de l'eBike, et non celui de l'accu interne de l'ordinateur de bord. L'état de charge de l'accu de l'eBike peut également être lu au moyen de ses LED.

Sur l'affichage **i** chaque barre du symbole d'accu représente environ 20 % de capacité :

-  L'accu de l'eBike est complètement chargé.
-  L'accu de l'eBike a besoin d'être rechargé.
-  Une fois qu'il n'y a plus de barres LED illuminées sur le voyant lumineux indiquant l'état de charge, l'assistance moteur est éteinte en douceur et le voyant lumineux indiquant l'état de charge commence à clignoter. Le voyant lumineux indiquant l'état de charge clignotant indique qu'il reste uniquement assez de batterie pour alimenter les feux de l'eBike pendant environ 2 heures supplémentaires. Cette durée ne tient pas compte des autres besoins en courant (par ex. moyeu automatique à vitesses intégrées, charge d'appareils externes via la prise USB).

Si l'ordinateur de bord est retiré du support **4**, le dernier niveau de charge de l'accu affiché restera mémorisé.

Si un eBike fonctionne avec deux accus, l'indicateur de niveau de charge des accus indique **le** niveau de charge **des deux** accus.

-  Lors de la recharge des deux accus d'un vélo à deux accus, l'état d'avancement de la charge s'affiche sur l'écran (sur la figure, l'accu de gauche est en train d'être chargé). L'affichage clignotant vous indique lequel des deux accus est en train d'être chargé.

Réglage du niveau d'assistance

Vous pouvez configurer à l'aide de l'unité de commande **10** le niveau d'assistance du système d'entraînement de l'eBike lorsque vous pédalez. Le niveau d'assistance peut être modifié à tout moment, y compris au cours de la conduite.

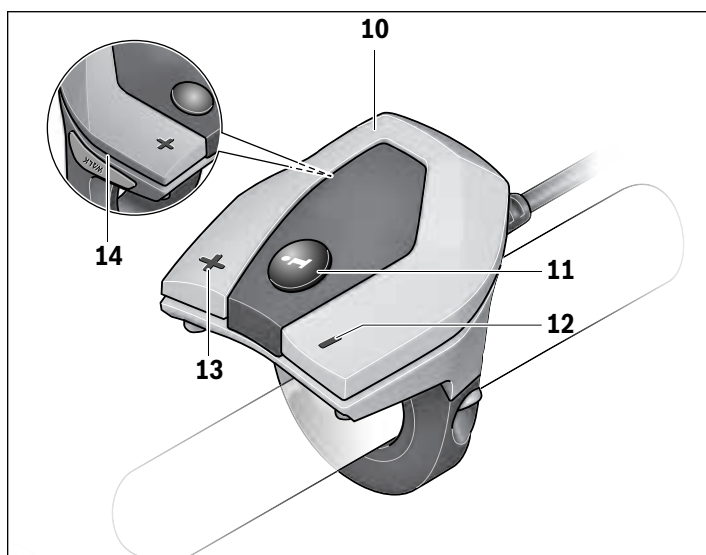
Note : Dans certaines versions, il est possible que le niveau d'assistance soit préréglé et ne puisse pas être modifié. Il est également possible que moins de niveaux d'assistance soient disponibles qu'indiqués ici.

Si l'eBike a été configuré avec le « **eMTB Mode** » par le fabricant, il apparaît brièvement à l'écran lors de l'utilisation de l'Intuvia le message « **eMTB Mode** » lors de la sélection du niveau d'assistance « **SPORT** ». Dans le « **eMTB Mode** », le facteur d'assistance et le couple s'adaptent de façon dynamique à l'effort exercé sur les pédales. Le « **eMTB Mode** » n'est disponible que pour les entraînements de la Performance Line CX.

Les niveaux d'assistance suivants sont disponibles :

- « **OFF** » : l'assistance moteur est hors-service, le vélo électrique peut être utilisé comme un vélo normal en pédalant.
- « **ECO** » : assistance effective avec efficacité maximale, pour portée maximale
- « **TOUR** » : assistance régulière, pour des tours de grande portée
- « **SPORT** »/« **eMTB** » :
 - « **SPORT** » : assistance puissante, pour parcours sportifs sur des chemins montagneux ainsi que pour la circulation urbaine
 - « **eMTB** » : assistance optimale sur tous terrains, démarrage sportif, dynamique améliorée, performances maximales.
- « **TURBO** » : assistance maximale jusqu'à des fréquences de pédalage élevées, pour parcours sportifs

Pour **accroître** le niveau d'assistance, appuyez sur le bouton « **+** » **13** au niveau de l'unité de commande jusqu'à ce que le niveau d'assistance souhaité s'affiche à l'écran **b**, pour le **réduire** appuyez sur le bouton « **-** » **12**.



La puissance du moteur sélectionnée apparaît sur l'écran **a**. La puissance maximale du moteur dépend du niveau d'assistance sélectionné.

Lorsque l'ordinateur de bord est retiré de son support **4**, le dernier niveau indiqué n'est **pas** stocké, mais réinitialisé sur le mode « **OFF** ».

Après la mise en marche, le système eBike est en mode « **OFF** ».

Interaction entre le système eBike et la vitesse

Même avec entraînement de vélo électrique vous devriez utiliser la vitesse comme pour un vélo normal (respectez la notice d'utilisation de votre vélo électrique).

Indépendamment du type de vitesse, il est recommandé d'arrêter brièvement de pédaler pendant que vous changez de vitesse. Ceci facilite le changement de vitesse et réduit l'usure de l'arbre d'entraînement.

En choisissant la vitesse appropriée, vous pouvez augmenter la vitesse et la portée en appliquant la même force.

Suivez donc les recommandations de vitesse qui vous sont présentées à l'écran par les messages **g** et **h**. Si l'indication **g** est visible, sélectionnez une vitesse supérieure offrant une fréquence pédalage plus faible. Si l'indication **h** est visible, sélectionnez une vitesse inférieure offrant une fréquence pédalage plus élevée.

Allumer/éteindre l'éclairage du vélo

Si vos feux sont configurés pour être alimentés par le système de l'eBike, vous pouvez utiliser la touche **2** de l'ordinateur de bord pour allumer et éteindre simultanément le feu avant et le feu arrière.

Sur l'affichage de texte apparaît pendant 1 s environ « **Feux allumés** » lors de l'allumage de l'éclairage ou « **Feux éteints** » lors de l'extinction de l'éclairage **d**. Le symbole d'éclairage **c** est affiché lorsque le feu est allumé.

Le fait d'allumer ou d'éteindre l'éclairage du vélo n'a aucune incidence sur le rétro-éclairage de l'écran.

Allumer/éteindre l'assistance de poussée

L'assistance de poussée peut vous aider à pousser le vélo électrique. La vitesse possible avec cette fonction dépend de la vitesse passée et peut atteindre 3,7 mph au maximum. Plus vous passez une vitesse basse, moins élevée sera la vitesse de cette fonction d'assistance de poussée (à pleine puissance).

► **La fonction d'assistance de poussée ne doit être utilisée que quand vous poussez le vélo électrique.** Les roues du vélo électrique doivent être en contact avec le sol lorsque l'assistance de poussée est utilisée, sinon il y a danger de blessures.

Pour **activer** l'assistance de poussée, appuyez brièvement sur la touche « **WALK** » de votre ordinateur de bord. Après l'activation, appuyez dans les 3 secondes qui suivent sur la touche « **+** » et maintenez-la enfoncée. L'entraînement du vélo électrique est activé.

Note : Dans le niveau d'assistance « **OFF** », l'assistance à la poussée n'est pas activable.

L'assistance de poussée **se désactive** dès que l'une des situations suivantes se produit :

- Vous relâchez la touche « **+** » **13**,
- les roues du vélo électrique se bloquent (par ex. lors d'un freinage ou d'un choc contre un obstacle),
- la vitesse devient supérieure à 3,7 mph.

Note : Sur certains systèmes, l'assistance de poussée peut être directement activée en appuyant sur la touche « **WALK** ».

Affichages de vitesse et de distance

L'**indicateur tachymétrique f** affiche toujours la vitesse actuelle.

Dans l'**affichage du fonctionnement** (combinaison entre affichage du texte **d** et des valeurs **e**), les fonctions suivantes sont à disposition :

- « **Heure** » : heure actuelle
- « **Vitesse maximale** » : la vitesse maximale atteinte depuis la dernière remise à zéro
- « **Vitesse moyenne** » : la vitesse moyenne atteinte depuis la dernière remise à zéro
- « **Temps de trajet** » : temps de trajet depuis la dernière remise à zéro
- « **Autonomie** » : autonomie prévisible vu la charge actuelle de l'accu (dans des conditions telles que niveau d'assistance, profil du parcours etc. restant constantes)
- « **Distance cumulée** » : distance totale parcourue avec le vélo électrique (pas réinitialisable)
- « **Distance parc.** » : distance parcourue depuis la dernière remise à zéro

Pour **accéder à la fonction d'affichage**, appuyez sur la touche « **i** » **1** de l'ordinateur de bord ou sur la touche « **i** » **11** de l'unité de commande autant de fois que nécessaire pour que la fonction souhaitée apparaisse.

Pour **remettre à zéro** la « **Distance parc.** », le « **Temps de trajet** » ou la « **Vitesse moyenne** », faites afficher l'une de ces trois fonctions et appuyez ensuite sur la touche « **RESET** » **6** jusqu'à ce que l'affichage soit revenu à zéro. Les valeurs des deux autres fonctions seront ainsi également remises à zéro.

Pour **remettre à zéro** la « **Vitesse maximale** », passez à l'affichage de cette fonction et appuyez sur la touche « **RESET** » **6** jusqu'à ce que l'affichage soit revenu à zéro.

Pour **remettre à zéro** la fonction « **Autonomie** », sélectionnez cette fonction et appuyez sur la touche « **RESET** » **6** jusqu'à ce que la valeur par défaut réapparaisse à l'affichage.

Si l'ordinateur de bord est retiré du support **4**, toutes les valeurs des fonctions restent sauvegardées et pourront continuer à être affichées.

Afficher/personnaliser la configuration de base

La visualisation et la modification des réglages de base sont possibles que l'ordinateur de bord soit ou non inséré dans son support **4**. Certains réglages ne sont visualisables et modifiables que quand l'ordinateur de bord est dans son support. Certaines options de menu peuvent manquer selon l'équipement de votre eBike.

Pour passer au menu Configuration de base, appuyez simultanément plusieurs fois sur la touche « **RESET** » **6** et la touche « **i** » **1** jusqu'à ce que « **Configuration** » apparaisse sur le texte affiché **d**.

Pour **aller d'un réglage de base à l'autre**, appuyez sur la touche « **i** » **1** de l'ordinateur de bord autant de fois que nécessaire pour que le réglage concerné s'affiche. Si l'ordinateur de bord est monté dans son support **4**, vous pouvez aussi appuyer sur la touche « **i** » **11** de l'unité de commande.



Pour **modifier des réglages de base**, appuyez sur la touche marche-arrêt **5** située près de l'indication « **-** » pour réduire ou défiler vers le bas, ou sur la touche éclairage **2** située près de l'indication « **+** », pour augmenter ou défiler vers le haut.

Si l'ordinateur de bord est inséré dans son support **4**, la modification est possible aussi au moyen des touches « **-** » **12** ou « **+** » **13** de l'unité de commande.

Pour quitter la fonction ou enregistrer un paramètre modifié, appuyez sur la touche « **RESET** » **6** pendant 3 s.

Les configurations de base suivantes sont à disposition :

- « **- Heure +** » : vous pouvez régler l'heure actuelle. Maintenir appuyée la touche de réglage accélère la course de l'horloge.
- « **- Circ. de la roue +** » : vous pouvez modifier de $\pm 5\%$ la valeur pré-réglée par le fabricant. Cette option de menu ne s'affiche que si l'ordinateur de bord est dans son support.
- « **- Français +** » : vous pouvez changer la langue d'affichage. Vous avez le choix entre l'allemand, l'anglais, le français, l'espagnol, l'italien, le portugais, le suédois, le néerlandais et le danois.
- « **- Unité km/mi +** » : vous pouvez afficher la vitesse et la distance parcourue en kilomètres ou en miles.
- « **- Format de l'heure +** » : vous pouvez afficher l'heure au format 12 heures ou 24 heures.
- « **- Ind. ch. vit. oui/non +** » : vous pouvez activer et désactiver l'affichage de la vitesse recommandée.
- « **Temps de fonctionn.** » : affichage de la durée totale de fonctionnement du vélo électrique (non modifiable)
- « **Displ. vx.x.x.x** » : il s'agit de la version du logiciel de l'afficheur.
- « **DU vx.x.x.x** » : il s'agit de la version du logiciel du module d'entraînement. Cette option de menu ne s'affiche que si l'ordinateur de bord est dans son support.
- « **DU₅ xxxxxxxx** » : il s'agit du numéro de série de l'unité d'entraînement. Cette option de menu ne s'affiche que si l'ordinateur de bord est dans son support.

- «  **Service MM/AAA** » : cette option de menu s'affiche si le fabricant de vélos a défini une échéance de service fixe.
- «  **Serv. xx km/mi** » : cette option de menu s'affiche si le fabricant de vélos a fixé une échéance de service liée au kilométrage parcouru.
- « **Bat. vx.x.x.x** » : il s'agit de la version du logiciel de l'accu. Cette option de menu ne s'affiche que si l'ordinateur de bord est dans son support.
- « **1. Bat. vx.x.x.x** » : en cas d'utilisation de 2 accus, indique la version logicielle de l'un des accus. Cette option de menu ne s'affiche que si l'ordinateur de bord est dans son support.
- « **2. Bat. vx.x.x.x** » : en cas d'utilisation de 2 accus, désigne la version logicielle de l'autre accu. Cette option de menu ne s'affiche que si l'ordinateur de bord est dans son support.

Alimentation en énergie d'appareils externes par la connexion USB

Au moyen du douille USB, il est possible de faire fonctionner ou de charger la plupart des appareils pouvant être alimentés par USB (p. ex. téléphones portables).

La condition préalable au chargement est l'insertion dans l'eBike de l'ordinateur de bord et d'un accu suffisamment chargé.

Ouvrez le cache de protection **8** du port USB de l'ordinateur de bord. Connectez la prise USB de l'appareil externe à la prise USB **7** de l'ordinateur de bord au moyen d'un câble USB Micro A – Micro B (disponible chez votre revendeur eBike Bosch).

Après avoir déconnecté le consommateur électrique, recouvrez soigneusement le port USB avec le capuchon de protection **8**.

- ▶ **La prise USB n'est pas étanche. Lorsque vous roulez sous la pluie, aucun appareil externe ne doit être connecté et la prise USB doit être entièrement recouverte du capuchon de protection 8.**

Transport

- ▶ **Si vous devez transporter votre eBike à l'extérieur de votre voiture, par exemple, sur une galerie de toit, retirez l'ordinateur de bord et l'accu de l'eBike afin d'éviter tout dommage.** (Les ordinateurs de bord qui se sont pas insérables dans un support ne peuvent pas être retirés du vélo. En pareil cas, l'ordinateur de bord peut rester sur le vélo.)
- ▶ **Retirez toujours l'accu du vélo avant de transporter le vélo sur un porte-vélos.** Le fait de ne pas retirer l'accu lorsque vous utilisez un porte-vélos peut entraîner des blessures graves ou mortelles. La batterie peut se détacher pendant le transport et provoquer un accident avec les véhicules environnants.
- ▶ **Utilisez toujours un porte-vélos compatible et approuvé lorsque vous transportez votre eBike. Le système d'entraînement Bosch représente un poids supplémentaire pour votre vélo.** Reportez-vous au manuel de votre porte-vélo pour vous assurer que votre eBike est compatible. L'excès de poids sur un porte-vélos peut entraîner des blessures graves ou mortelles.
- ▶ **Utilisez des techniques de levage correctes car les vélos électriques sont généralement plus lourds que les vélos traditionnels.**

Expédiez les accus uniquement si leur boîtier n'est pas endommagé. Protégez les contacts et emballez l'accu de manière à ce qu'il ne puisse pas se déplacer dans l'emballage. Prévenez l'expéditeur qu'il s'agit d'un produit classé comme matière dangereuse. Veuillez également respecter les réglementations supplémentaires éventuellement en vigueur dans votre pays. Vérifiez toujours les réglementations départementales et nationales avant de tenter d'expédier votre batterie.

Pour toute question concernant le transport de l'accu, adressez-vous à un vélociste autorisé. Vous pouvez également commander un emballage de transport approprié auprès d'un commerçant spécialisé.

Entretien/nettoyage


⚠ AVERTISSEMENT

- ▶ **Les éléments de votre système d'entraînement Bosch ne nécessitent aucun entretien.** N'ouvrez aucun élément. L'entretien doit uniquement être effectué par un revendeur eBike Bosch autorisé. Le fait de ne pas respecter l'avertissement ci-dessus peut entraîner des blessures graves ou mortelles. Reportez-vous au manuel de votre vélo ou au manuel de l'élément pour tous les éléments ne faisant pas partie du système d'entraînement Bosch.
- ▶ **Retirez toujours l'accu avant d'inspecter un vélo, de procéder à son entretien ou à sa réparation.** Le fait de ne pas retirer l'accu avant d'inspecter un vélo, de procéder à son entretien ou à sa réparation peut entraîner des blessures graves.
- ▶ **Si vous suspectez une défaillance, n'utilisez pas votre vélo.** Consultez votre revendeur eBike Bosch, seul un revendeur qualifié doit intervenir sur votre système d'entraînement Bosch. Tous les écrous, les boulons et les vis requièrent une force de serrage correcte. Une force de serrage trop faible ne permet pas la fixation sécurisée des composants. Une force de serrage excessive risque au contraire de briser les filets, et d'étendre, de déformer ou de casser les éléments de fixation. D'une manière ou d'une autre, une force de serrage incorrecte peut entraîner une défaillance de l'élément, ce qui peut vous faire perdre le contrôle de votre vélo et vous faire tomber.
- ▶ **Ne peignez aucun élément du système d'entraînement Bosch car cela peut entraîner une défaillance prématurée de l'élément.**

Maniement soigneux du vélo électrique

Respectez les températures de fonctionnement et de stockage des composants de l'eBike. Protégez l'unité d'entraînement, l'ordinateur de bord et l'accu des températures extrêmes (par exemple d'une exposition intense aux rayons du soleil sans ventilation simultanée). Les composants (notamment l'accu) peuvent être endommagés par une exposition à des températures extrêmes.

Faites contrôler votre système eBike au moins une fois par an sur le plan technique (partie mécanique, actualité du logiciel système, etc.).

- Par ailleurs le fabricant de vélos ou revendeur de vélos peut définir un certain kilométrage et/ou un laps de temps pour les échéances d'entretien. Dans ce cas, l'ordinateur de bord vous indique après chaque allumage l'échéance du prochain entretien sur l'afficheur de texte d avec «  **Service** » pendant 4 secondes.

Pour le Service Après-Vente ou des réparations sur votre vélo électrique, adressez-vous à un vélociste autorisé.

Nettoyage

- ▶ **Ne plongez pas vos composants eBike dans l'eau et ne les lavez pas avec un pulvérisateur haute pression.** Votre unité d'entraînement Bosch est conçue pour être étanche à l'eau de pluie ou à un tuyau d'arrosage sans pression.

Maintenez tous les éléments de votre vélo électrique propres, surtout les contacts de l'accu et les supports de fixation.

Ne plongez pas dans l'eau les éléments, y compris l'unité de l'entraînement et ne les nettoyez pas à l'aide d'un nettoyeur haute pression. Maintenez tous les éléments de votre vélo électrique propres, surtout les contacts de l'accu et les supports de fixation. Nettoyez-les soigneusement à l'aide d'un chiffon doux et humide (en utilisant uniquement du savon doux et de l'eau).

Service Après-Vente et Assistance Clients

Pour toutes les questions concernant le système eBike et ses éléments, adressez-vous à un vélociste autorisé.

Vous trouverez les données de contact de vélocistes autorisés sur le site internet **www.bosch-ebike.com**

Si l'accu ne peut plus fonctionner, veuillez vous adresser à un vélociste autorisé.

Dépannage

Affichage code d'erreur

Les éléments du système eBike sont contrôlés automatiquement en permanence. Si un défaut est détecté, le code défaut correspondant est affiché dans l'affichage de texte **d**.

Pour revenir à l'affichage standard, appuyez sur une touche quelconque de l'ordinateur de bord **3** ou de l'unité de commande **10**.

En fonction du type d'erreur, l'unité d'entraînement est éventuellement automatiquement arrêtée. Il est cependant à tout moment possible de continuer à rouler sans être assisté par l'unité d'entraînement. Il est recommandé de faire contrôler le vélo électrique avant d'autres parcours.

► **Les interventions de dépannage peuvent être exécutées par le propriétaire excepté celles explicitement signalées par la mention « Rendez-vous chez votre revendeur Bosch ».**

Code	Cause	Remède
410	Un ou plusieurs boutons de l'ordinateur de bord sont bloqués.	Contrôlez si les touches sont coincées, par ex. par des encrassements profonds. Le cas échéant, nettoyez les touches.
414	Problème de connexion de l'unité de commande	Faire contrôler les raccords et connexions
418	Une ou plusieurs touches de l'unité de commande sont bloquées.	Contrôlez si les touches sont coincées, par ex. par des encrassements profonds. Le cas échéant, nettoyez les touches.
419	Erreur de configuration	Redémarrez le système. Si le problème persiste, rendez-vous chez votre revendeur Bosch.
422	Problème de connexion de l'unité d'entraînement	Faire contrôler les raccords et connexions
423	Problème de connexion de l'accu eBike	Faire contrôler les raccords et connexions
424	Erreur de communication des composants entre eux	Faire contrôler les raccords et connexions
426	Erreur de timeout interne	Redémarrez le système. Si le problème persiste, rendez-vous chez votre revendeur Bosch. En présence de ce défaut, il n'est pas possible de visualiser ou de modifier la circonférence de pneu dans le menu Réglages de base.
430	Accu interne de l'ordinateur de bord vide	Charger l'ordinateur de bord (dans le support ou via une connexion USB)
431	Erreur de version de logiciel	Redémarrez le système. Si le problème persiste, rendez-vous chez votre revendeur Bosch.
440	Erreur interne de l'unité d'entraînement	Redémarrez le système. Si le problème persiste, rendez-vous chez votre revendeur Bosch.
450	Erreur logicielle interne	Redémarrez le système. Si le problème persiste, rendez-vous chez votre revendeur Bosch.
460	Erreur sur port USB	Débranchez le câble du port USB de l'ordinateur de bord. Si le problème persiste, rendez-vous chez votre revendeur Bosch.
490	Erreur interne de l'ordinateur de bord	Faire vérifier l'ordinateur de bord
500	Erreur interne de l'unité d'entraînement	Redémarrez le système. Si le problème persiste, rendez-vous chez votre revendeur Bosch.
502	Dysfonctionnement de l'éclairage du vélo	Contrôlez l'éclairage et son câblage. Redémarrez le système. Si le problème persiste, rendez-vous chez votre revendeur Bosch. Ne roulez pas dans l'obscurité sans éclairage.

Code	Cause	Remède
503	Erreur du capteur de vitesse	Redémarrez le système. Si le problème persiste, rendez-vous chez votre revendeur Bosch.
510	Erreur interne du capteur	Redémarrez le système. Si le problème persiste, rendez-vous chez votre revendeur Bosch.
511	Erreur interne de l'unité d'entraînement	Redémarrez le système. Si le problème persiste, rendez-vous chez votre revendeur Bosch.
530	Dysfonctionnement de l'accu	Arrêtez le système eBike, retirez l'accu eBike et remettez-le en place. Redémarrez le système. Si le problème persiste, rendez-vous chez votre revendeur Bosch.
531	Erreur de configuration	Redémarrez le système. Si le problème persiste, rendez-vous chez votre revendeur Bosch.
540	Erreur de température	Le vélo électrique se trouve en dehors de la plage de températures admissible. Arrêtez le système eBike et laissez la température de l'unité d'entraînement remonter ou redescendre jusque dans la plage de températures admissibles. Redémarrez le système. Si le problème persiste, rendez-vous chez votre revendeur Bosch.
550	Un consommateur électrique non autorisé a été détecté.	Retirez le consommateur électrique. Redémarrez le système. Si le problème persiste, rendez-vous chez votre revendeur Bosch.
580	Erreur de version de logiciel	Redémarrez le système. Si le problème persiste, rendez-vous chez votre revendeur Bosch.
591	Erreur d'authentification	Arrêtez le système eBike. Retirez l'accu et remettez-le en place. Redémarrez le système. Si le problème persiste, rendez-vous chez votre revendeur Bosch.
592	Composant non compatible	Utiliser un écran compatible. Si le problème persiste, rendez-vous chez votre revendeur Bosch.
593	Erreur de configuration	Redémarrez le système. Si le problème persiste, rendez-vous chez votre revendeur Bosch.
595, 596	Erreur de communication	Contrôlez le câblage vers le moyeu et redémarrez le système. Si le problème persiste, rendez-vous chez votre revendeur Bosch.
602	Erreur interne de l'accu pendant le processus de charge	Déconnectez le chargeur de l'accu. Redémarrez le système eBike. Reconnectez le chargeur à l'accu. Si le problème persiste, rendez-vous chez votre revendeur Bosch.
602	Erreur interne de l'accu	Redémarrez le système. Si le problème persiste, rendez-vous chez votre revendeur Bosch.
603	Erreur interne de l'accu	Redémarrez le système. Si le problème persiste, rendez-vous chez votre revendeur Bosch.
605	Erreur de température de l'accu	Le vélo électrique se trouve en dehors de la plage de températures admissible. Arrêtez le système eBike et laissez la température de l'unité d'entraînement remonter ou redescendre jusque dans la plage de températures admissibles. Redémarrez le système. Si le problème persiste, rendez-vous chez votre revendeur Bosch.
605	Erreur de température de l'accu pendant le processus de charge	Déconnectez le chargeur de l'accu. Laissez refroidir l'accu. Si le problème persiste, rendez-vous chez votre revendeur Bosch.
606	Erreur externe de l'accu	Vérifiez le câblage. Redémarrez le système. Si le problème persiste, rendez-vous chez votre revendeur Bosch.

Code	Cause	Remède
610	Erreur de tension de l'accu	Redémarrez le système. Si le problème persiste, rendez-vous chez votre revendeur Bosch.
620	Dysfonctionnement du chargeur	Remplacez le chargeur. Rendez-vous chez votre revendeur Bosch.
640	Erreur interne de l'accu	Redémarrez le système. Si le problème persiste, rendez-vous chez votre revendeur Bosch.
655	Erreur multiple de l'accu	Arrêtez le système eBike. Retirez l'accu et remettez-le en place. Redémarrez le système. Si le problème persiste, rendez-vous chez votre revendeur Bosch.
656	Erreur de version de logiciel	Rendez-vous chez votre revendeur Bosch pour qu'il effectue une mise à jour du logiciel.
7xx	Défaut du moyeu	Consultez la notice d'utilisation du fabricant du moyeu.
Pas d'affichage	Erreur interne de l'ordinateur de bord	Redémarrez le système eBike en l'éteignant et en le rallumant.

Programme de recyclage des accus

Avertissements généraux

Élimination des déchets



L'unité d'entraînement, l'ordinateur de bord et son unité de commande, l'accu, le capteur de vitesse, les accessoires et l'emballage doivent être triés afin d'être recyclés de façon respectueuse de l'environnement.

Ne jetez pas les vélos électriques et leurs éléments dans les ordures ménagères !



Vous pouvez recycler votre accu Bosch en appelant le 1.800.822.8837.

Español

- ES-2** Bosch Drive System 20 mph
- ES-11** Performance Line Drive Unit 20 mph
- ES-18** Bosch Drive System 28 mph
- ES-30** Performance Line Drive Unit 28 mph
- ES-37** Batería PowerPack
- ES-51** Cargador
- ES-59** Display Intuvia

Performance Line

20 mph



Owner's Manual – The Bosch Drive System (20 mph)

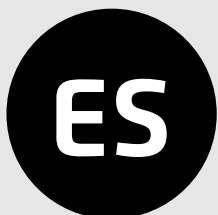
Drive Unit | On-board computer | PowerPack | Charger

0 275 007 038/039/045 | 1 270 020 906/909/916/917 | 0 275 007 524...526/533...536/538 |
0 275 007 906/915



BOSCH

es Manual original



Este manual contiene información importante de seguridad, rendimiento y mantenimiento. Léalo y asegúrese de entenderlo junto con la información que le ha facilitado el fabricante de su bicicleta **antes de usar el producto**; guárdelo a modo de referencia.

**Edad:
a partir de
16 años**



Introducción

¡Gracias por adquirir una bicicleta equipada con el sistema de accionamiento de Bosch!

El equipo eBike Systems de Bosch le aprecia como cliente y le desea muchos años de satisfacción y seguridad con el uso de su bicicleta.

Advertencias generales



Lea íntegramente todas las indicaciones de seguridad e instrucciones. No seguir las advertencias e instrucciones siguientes puede provocar la muerte o lesiones graves.

Guarde todas las indicaciones de seguridad e instrucciones para posibles consultas futuras.

El término “acumulador” empleado en estas instrucciones de uso se refiere indistintamente tanto a los acumuladores estándar (acumuladores de fijación al cuadro de la bicicleta) como a los acumuladores para portaequipajes (acumuladores de fijación al portaequipajes).

Acerca de las advertencias

Este manual contiene muchos avisos de “**PELIGRO**”, “**ADVERTENCIA**” y “**ATENCIÓN**” relativos a las consecuencias de no utilizar, montar, mantener, almacenar, revisar y desechar de manera segura una eBike equipada de Bosch.

La combinación del símbolo de advertencia de seguridad y la palabra “**PELIGRO**” indica una situación peligrosa que, de no evitarse, **causará** la muerte o lesiones graves.

La combinación del símbolo de advertencia de seguridad y la palabra “**ADVERTENCIA**” indica una situación peligrosa que, de no evitarse, **podría causar** la muerte o lesiones graves.

La combinación del símbolo de advertencia de seguridad y la palabra “**ATENCIÓN**” indica una situación peligrosa que, de no evitarse, **podría causar** lesiones leves o moderadas.

▲ ADVERTENCIA

► **El sistema de accionamiento de Bosch está previsto para su utilización por personas a partir de 16 años.**

Los ciclistas deben contar con coordinación física y capacidad mental y de reacción para controlar una bicicleta, así como con habilidad para gestionar el tráfico, las condiciones de la carretera y las situaciones imprevistas, además de respetar la legislación y las normas que regulen el uso de la bicicleta.

- **Este manual contiene información importante de seguridad, rendimiento y mantenimiento.** Léalo antes de usar su nueva bicicleta y guárdelo a modo de referencia. Puede encontrar el manual también en línea en www.bosch-ebike.com.
- **Este manual está previsto para su lectura junto con el manual de usuario aparte que venía con su bicicleta.** Antes de usar la bici por primera vez, asegúrese de leer toda la documentación facilitada, incluidas las etiquetas que lleva el producto.
- **Lea TODOS los manuales incluidos antes de montar en la bicicleta por primera vez.** Su sistema de accionamiento de Bosch incluye manuales y documentación adicionales proporcionados por el fabricante de la bicicleta y de otros componentes. No leer o desconocer la información de seguridad puede provocar la muerte o lesiones graves.
- **Por su propia SEGURIDAD, sea responsable.** Si tiene dudas o no entiende algo, consúltelo con su distribuidor o con el fabricante de la bicicleta o del componente.
- **Algunos accesorios de la eBike pueden suponer un peligro de atragantamiento para los niños pequeños.** Mantenga esos accesorios alejados de los niños.

▲ ATENCIÓN

- **El sistema de accionamiento de Bosch incrementa el peso de su bicicleta, que puede que no esté acostumbrado a levantar.** Evite las lesiones; utilice técnicas de elevación adecuadas.

Utilización de su Manual de usuario

Las instrucciones de uso se dividen en varias partes:

- unas instrucciones de uso para el sistema eBike de Bosch (estas instrucciones)
- unas instrucciones de uso para el motor
- unas instrucciones de uso para el ordenador de a bordo
- unas instrucciones de uso para el cargador
- unas instrucciones de uso para la batería

► **Lea y siga todas las indicaciones de seguridad e instrucciones de todos los manuales de uso del sistema eBike, así como las instrucciones de uso de su eBike.**

Gráficos

La bicicleta que se muestra en este manual puede diferir ligeramente de la suya; no obstante, las similitudes son suficientes para ayudarle a entender nuestras instrucciones.

Los lados DERECHO e IZQUIERDO se indican mirando en el sentido que la bicicleta tendrá al circular hacia delante. Si ve una línea discontinua (-----), el elemento al que se refiere está oculto a la vista.

Visión general del sistema de accionamiento de Bosch

Vista de la bicicleta (estándar)

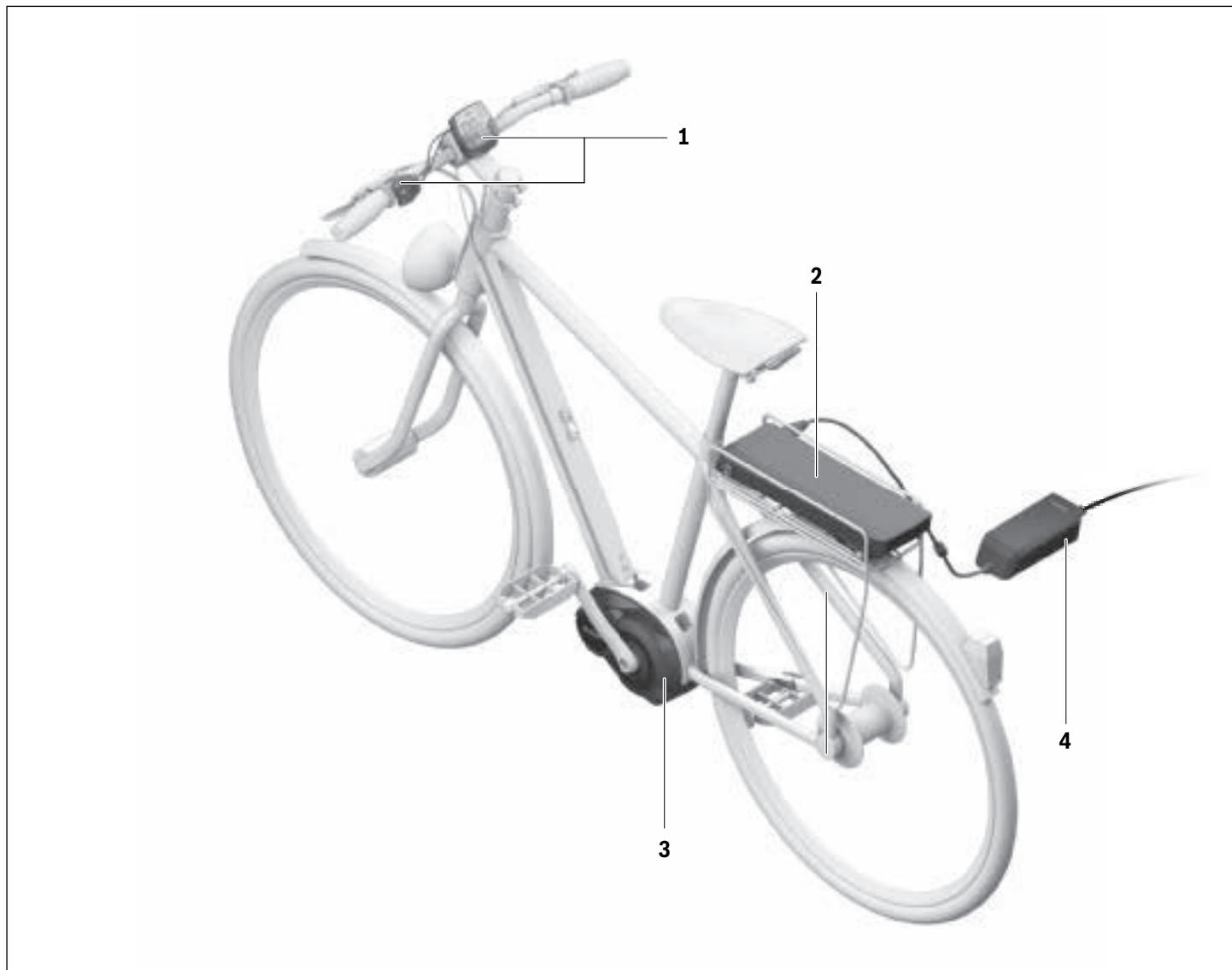


Componentes del sistema de accionamiento de Bosch

Todas las representaciones de los componentes de la bicicleta, a excepción de las baterías y sus soportes, se muestran de manera esquemática y pueden diferir de su eBike.

- 1 Ordenador de a bordo
- 2 Acumulador estándar "PowerPack"
- 3 Unidad motriz
- 4 Cargador

Vista de la bicicleta (modelo con batería en el portaequipajes)



Componentes del sistema de accionamiento de Bosch

Todas las representaciones de los componentes de la bicicleta, a excepción de las baterías y sus soportes, se muestran de manera esquemática y pueden diferir de su eBike.

- 1 Ordenador de a bordo
- 2 Acumulador para portaequipajes "PowerPack"
- 3 Unidad motriz
- 4 Cargador

Uso del sistema de accionamiento de Bosch

Preparación para montar en bicicleta

⚠ ADVERTENCIA

- ▶ **Lea y conozca todas las indicaciones de seguridad y las instrucciones.** No seguir las advertencias siguientes puede provocar la muerte o lesiones graves.
- ▶ **Proteja a otras personas de la muerte o de lesiones graves. Evite el uso no autorizado.** Extraiga siempre el acumulador de la bicicleta cuando no se estén usando y guárdelos en un lugar seguro. No asegurar su bicicleta frente a usos no autorizados puede provocar la muerte o lesiones graves a terceros.

Antes de montar en la bicicleta por primera vez

Consulte el manual de usuario de su bicicleta y localice la información importante sobre los componentes de la misma, tales como los frenos, los pedales, las marchas, los cambios, etc.

⚠ ADVERTENCIA

- ▶ **Cuando vaya en la bicicleta, no se distraiga con el ordenador de a bordo y manténgase siempre alerta a todas las condiciones de circulación.** El ordenador de a bordo debe manejarse únicamente en parado y en una posición segura de arranque. Utilice el cuadro de mandos para cambiar los niveles de asistencia del motor mientras esté circulando.
- ▶ **Consulte el manual de su bicicleta para conocer el peso máximo de circulación de la misma.** Si sobrecarga la bicicleta puede provocar un fallo en los componentes, lo que puede causar la muerte o lesiones graves. Por lo general, el peso de circulación máximo viene definido por la suma del peso del ciclista más el peso del equipaje.

Utilización reglamentaria

⚠ ADVERTENCIA

- ▶ **Conozca su bicicleta y su uso previsto a partir de la consulta de su manual de usuario de la bicicleta.** Si utiliza su bicicleta de manera incorrecta y con un fin para el que no haya sido diseñada, puede causar la muerte o lesiones graves.

Los componentes del sistema de accionamiento de Bosch están previstos exclusivamente para su eBike y no deberán utilizarse con otro fin.

Su accionamiento de Bosch no está diseñado para tirar de otra bicicleta. Para remolcar, consulte el manual de usuario de su bicicleta y el manual de usuario del remolque en busca de las instrucciones de remolcado y la compatibilidad para el mismo.

Procedimiento de arranque seguro

⚠ ADVERTENCIA

- ▶ **Siga el procedimiento de arranque seguro que se recoge a continuación.** Incumplir el procedimiento de arranque seguro puede provocar la muerte o lesiones graves.

Preparación

Antes de empezar, compruebe lo siguiente

- Compruebe que ha desenchufado el cargador
- La batería está asegurada en su sitio (tire de la batería para asegurarse de que está asegurada en su sitio)
- Retire la llave de la batería

Empiece a circular

- Siéntese en el sillín con los dos pies apoyados en el suelo y las dos manos en el manillar.
- Cuando esté en posición estable, encienda el ordenador de a bordo de Bosch. El sistema de accionamiento de Bosch arranca siempre en modo **“OFF”**.
- Coloque las dos manos en el manillar y empiece a pedalear.

Instrucciones para la conducción con el sistema de la eBike

¿Cuándo trabaja el accionamiento de la eBike?

El accionamiento de la eBike le asiste siempre que Ud. vaya pedaleando. La asistencia cesa cuando deja de pedalear. La potencia del motor depende siempre de la fuerza aplicada al pedalear.

Si la fuerza aplicada es baja la asistencia es menor que al aplicar gran fuerza. Ello es independiente del modo de asistencia seleccionado.

La asistencia del motor de la eBike se desconecta automáticamente a velocidades superiores a 20 mph. Si la velocidad queda por debajo de 20 mph, la asistencia del motor se vuelve a activar de forma automática.

Siempre que Ud. lo desee puede circular también sin la asistencia motorizada con la eBike, igual que con una bicicleta convencional, ya sea desconectando el sistema de la eBike o ajustando el nivel de asistencia a “OFF”. Lo mismo es válido con un acumulador vacío.

Interacción entre el sistema de la eBike y el cambio

También con el accionamiento de la eBike el cambio deberá utilizarse igual que en una bicicleta convencional (consulte al respecto las instrucciones de uso de su eBike).

Independientemente del tipo de cambio empleado es recomendable dejar de pedalear brevemente antes de efectuar un cambio de marcha. Ello no sólo facilita el cambio de marcha sino que también reduce el desgaste del mecanismo de accionamiento.

Seleccionando el cambio de marcha correcto Ud. puede aumentar la velocidad y el alcance aplicando la misma fuerza muscular.

Compruebe la autonomía de eBike bajo condiciones diferentes antes de realizar unos recorridos más largos y difíciles.

- **Lea y conozca el apartado de “Influencias sobre la autonomía” recogido a continuación para planificar su viaje.**

Influencias sobre la autonomía

La autonomía depende de muchos factores, como:

- el nivel de asistencia,
- la velocidad,
- los cambios de marcha,
- el tipo de neumáticos y la presión de los mismos,
- la antigüedad y el estado de la batería,
- el perfil de la ruta (subidas) y sus características (superficie de la calzada),
- el viento en contra y la temperatura ambiente, y
- el peso de la eBike, del conductor y del equipaje.

Por este motivo no es posible prever con exactitud la autonomía restante antes de emprender un viaje ni durante el mismo. Sin embargo, como regla general se aplica:

- Con el **mismo** nivel de asistencia del motor de la eBike: cuanto menos fuerza deba aplicar para alcanzar una velocidad determinada (p. ej. mediante el uso óptimo de las marchas), menos energía consumirá el motor de la eBike y mayor será la autonomía de la batería.
- Cuanto **mayor** sea el nivel de asistencia, manteniendo iguales las demás condiciones, tanto menor será la autonomía obtenida.

Observación: Planifique sus rutas de manera que en todo momento pueda alcanzar su destino sin ayuda del motor.

Transporte

⚠ ADVERTENCIA

- **Si lleva su eBike en el exterior del automóvil, por ejemplo en un portaequipajes externo al vehículo, retire el ordenador de a bordo y la batería de la eBike para evitar daños.** (Los ordenadores de a bordo que no pueden conectarse en un soporte no pueden retirarse de la bicicleta. En este caso el ordenador de a bordo permanecerá en la bicicleta.)
- **Extraiga siempre la batería de la bicicleta antes de transportarla en un portabicicletas sobre un vehículo.** No extraer la batería cuando se utiliza un portabicicletas sobre un vehículo puede causar la muerte o lesiones graves. La batería podría soltarse durante el transporte y causar un accidente a otros vehículos.
- **Utilice en todo caso un portabicicletas homologado y compatible cuando transporte su eBike. El sistema de accionamiento de Bosch incrementa el peso de la bicicleta.** Consulte el manual de su portabicicletas para asegurarse de que la eBike es compatible. Sobrecargar un portabicicletas puede causar la muerte o lesiones graves.
- **Utilice técnicas de elevación adecuadas, ya que las bicicletas eléctricas suelen ser más pesadas que las normales.**

Transporte únicamente baterías cuya carcasa esté intacta. Pegue los contactos abiertos y empaquete la batería de manera que no se mueva dentro del embalaje. Indique al servicio de paquetería que se trata de mercancía peligrosa. Observe también la normativa nacional aplicable. Compruebe siempre las normativas estatales y regionales antes de transportar sus baterías.

En todas las consultas referentes al transporte de los acumuladores diríjase a una tienda de bicicletas autorizada. En dichas tiendas puede Ud. adquirir también un embalaje de transporte apropiado.

Mantenimiento/limpieza

⚠ ADVERTENCIA

- ▶ **Los componentes del sistema de accionamiento de Bosch no necesitan mantenimiento.** No abra ninguno de los componentes. El mantenimiento debe llevarse a cabo exclusivamente por parte de un distribuidor de eBike de Bosch autorizado. El incumplimiento de la advertencia anterior puede causar la muerte o lesiones graves. Consulte su manual de la bicicleta o de aquellos componentes del sistema de accionamiento que no sean de Bosch.
- ▶ **Retire siempre la batería antes de realizar cualquier inspección, reparación o trabajo de mantenimiento en la bicicleta.** No retirar la batería antes de realizar cualquier inspección, reparación o trabajo de mantenimiento en la bicicleta puede causar la muerte o lesiones graves.
- ▶ **Si cree que hay algo suelto, no utilice la bicicleta.** Consulte a su distribuidor de eBike de Bosch; solo un proveedor de servicios cualificado puede efectuar trabajos en su sistema de accionamiento de Bosch. Las tuercas, los pernos y los tornillos necesitan la fuerza de apriete correcta. Con una fuerza menor de la necesaria, el cierre podría no estar bien sujeto. Con una fuerza excesiva, el cierre puede estropear las roscas, forzarse, deformarse o romperse. En todo caso, una fuerza de apriete incorrecta puede provocar un fallo en los componentes, lo que le puede hacer perder el control y caer.
- ▶ **Si cambia la batería, adquiera únicamente baterías originales de Bosch en un punto de venta autorizado. Diríjase a su distribuidor de eBike de Bosch para adquirir recambios originales.**
- ▶ **Desconecte siempre la batería cuando la introduzca o extraiga del soporte.** Nunca intente introducir ni extraer la batería con la bicicleta en marcha.
- ▶ **No cargue ni utilice la eBike en lugares con una atmósfera potencialmente explosiva, como gasolineras, ni en zonas en las que el aire contenga productos químicos o partículas (como semillas, polvo o polvo de metales).** Obedezca todas las señales e instrucciones.
- ▶ **No sumerja los componentes eBike en el agua ni los limpie con una manguera a presión.** El accionamiento de Bosch está diseñado para ser impermeable al agua de lluvia o a una limpieza con manguera sin presión.

- ▶ **Apunte el fabricante y el número de la llave.** Si pierde las llaves, diríjase a un distribuidor de eBike de Bosch autorizado. Facilite el nombre del fabricante y el número de la llave.
- ▶ **No pinte los componentes del sistema de accionamiento de Bosch, ya que eso podría causar un fallo temprano de los mismos.**

Trato cuidadoso de la eBike

Cumpla la temperatura de funcionamiento y almacenamiento de los componentes de la eBike. Proteja la unidad de accionamiento, el ordenador de a bordo y la batería de temperaturas extremas (p. ej. debido a una irradiación solar intensa sin ventilación simultánea). Las temperaturas extremas pueden dañar los componentes (especialmente las baterías).

Solicite por lo menos una vez al año una revisión técnica de su sistema eBike, para comprobar, entre otras cosas, que la mecánica se encuentre en buen estado y la versión del software esté actualizada.

Para el servicio técnico o la reparación de la eBike diríjase a una tienda de bicicletas autorizada.

Servicio técnico y atención al cliente

En todas las consultas sobre el sistema de la eBike y sus componentes diríjase a una tienda de bicicletas autorizada. Las direcciones de tiendas de bicicletas autorizadas las encuentra en la página de internet www.bosch-ebike.com. Si su acumulador ya no funciona acuda por favor a una tienda de bicicletas autorizada.

Limpieza

- ▶ **No sumerja los componentes eBike en el agua ni los limpie con una manguera a presión.** El accionamiento de Bosch está diseñado para ser impermeable al agua de lluvia o a una limpieza con manguera sin presión.

Mantenga limpios los componentes de su eBike, especialmente los contactos del acumulador y del respectivo soporte.

Todos los componentes inclusive la unidad motriz no deberán sumergirse en agua ni tratarse con una limpiadora de alta presión. Mantenga limpios todos los componentes de su eBike, especialmente los contactos de la batería y del soporte correspondiente. Límpielos con un paño suave y húmedo (utilice únicamente jabón neutro y agua).

Programa de reciclaje de baterías

Advertencias generales

Eliminación



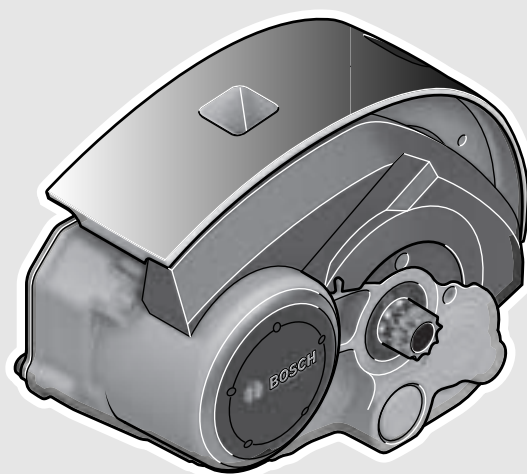
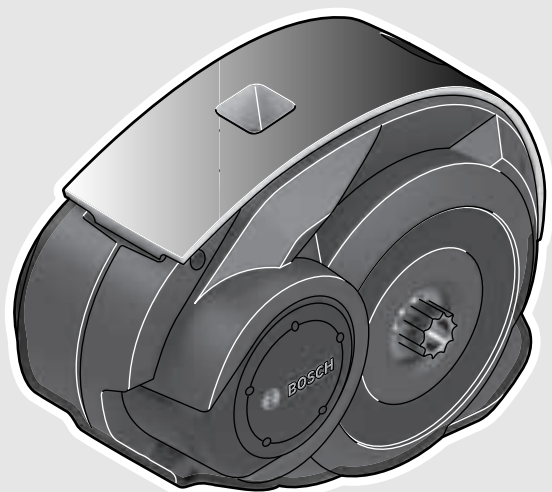
La unidad de accionamiento, el ordenador de a bordo incl. la unidad de mando, la batería, el sensor de velocidad, los accesorios y los embalajes deberían reciclarse de forma respetuosa con el medio ambiente.

¡No arroje las eBike ni sus componentes a la basura!



Puede reciclar su batería de Bosch llamando al 1.800.822.8837.

Performance Line



Owner's Manual – The Bosch Drive System (20 mph) Drive Unit

BDU280P CX: 0 275 007 038 | BDU280P: 0 275 007 065



BOSCH

es Manual original



Este manual contiene información importante de seguridad, rendimiento y mantenimiento. Léalo y asegúrese de entenderlo junto con la información que le ha facilitado el fabricante de su bicicleta antes de usar el producto; guárdelo a modo de referencia.



Introducción

¡Gracias por adquirir una bicicleta equipada con el sistema de accionamiento de Bosch!

El equipo eBike Systems de Bosch le aprecia como cliente y le desea muchos años de satisfacción y seguridad con el uso de su bicicleta.

Advertencias generales



Lea íntegramente todas las indicaciones de seguridad e instrucciones. No seguir las advertencias e instrucciones siguientes puede provocar la muerte o lesiones graves.

Guarde todas las indicaciones de seguridad e instrucciones para posibles consultas futuras.

El término “batería” empleado en este manual del usuario se refiere a todas las baterías para eBike originales de Bosch.

Acerca de las advertencias

Este manual contiene muchos avisos de “**PELIGRO**”, “**ADVERTENCIA**” y “**ATENCIÓN**” relativos a las consecuencias de no utilizar, montar, mantener, almacenar, revisar y desechar de manera segura una eBike equipada de Bosch.

La combinación del símbolo de advertencia de seguridad y la palabra “**PELIGRO**” indica una situación peligrosa que, de no evitarse, **causará** la muerte o lesiones graves.

La combinación del símbolo de advertencia de seguridad y la palabra “**ADVERTENCIA**” indica una situación peligrosa que, de no evitarse, **podría causar** la muerte o lesiones graves.

La combinación del símbolo de advertencia de seguridad y la palabra “**ATENCIÓN**” indica una situación peligrosa que, de no evitarse, **podría causar** lesiones leves o moderadas.

ADVERTENCIA

- ▶ **Este manual contiene información importante de seguridad, rendimiento y mantenimiento.** Léalo antes de usar su nueva bicicleta y guárdelo a modo de referencia. Puede encontrar el manual también en línea en www.bosch-ebike.com.
- ▶ **Este manual está previsto para su lectura junto con el manual de usuario aparte que venía con su bicicleta.** Antes de usar la bici por primera vez, asegúrese de leer toda la documentación facilitada, incluidas las etiquetas que lleva el producto.

- ▶ **Lea TODOS los manuales incluidos antes de montar en la bicicleta por primera vez.** Su sistema de accionamiento de Bosch incluye manuales y documentación adicionales proporcionados por el fabricante de la bicicleta y de otros componentes. No leer o desconocer la información de seguridad puede provocar la muerte o lesiones graves.
- ▶ **Por su propia SEGURIDAD, sea responsable.** Si tiene dudas o no entiende algo, consúltelo con su distribuidor o con el fabricante de la bicicleta o del componente.
- ▶ **Algunos accesorios de la eBike pueden suponer un peligro de atragantamiento para los niños pequeños.** Mantenga esos accesorios alejados de los niños.

ATENCIÓN

- ▶ **El sistema de accionamiento de Bosch incrementa el peso de su bicicleta, que puede que no esté acostumbrado a levantar.** Evite las lesiones; utilice técnicas de elevación adecuadas.

Utilización de su Manual de usuario

Gráficos

La bicicleta que se muestra en este manual puede diferir ligeramente de la suya; no obstante, las similitudes son suficientes para ayudarle a entender nuestras instrucciones.

Los lados DERECHO e IZQUIERDO se indican mirando en el sentido que la bicicleta tendrá al circular hacia delante. Si ve una línea discontinua (-----), el elemento al que se refiere está oculto a la vista.

Uso del motor de Bosch

Instrucciones de seguridad



Lea y conozca todas las indicaciones de seguridad y las instrucciones. No seguir las advertencias siguientes puede provocar la muerte o lesiones graves.

Guarde todas las indicaciones de seguridad e instrucciones para posibles consultas futuras.

El término “batería” empleado en este manual del usuario se refiere a todas las baterías para eBike originales de Bosch.

- ▶ **No abra el motor por su cuenta. El motor solo debe ser reparado por personal técnico cualificado y solo deben utilizarse piezas de repuesto originales.** De esta manera queda garantizada la preservación de la seguridad del motor. La apertura del motor sin autorización comporta la anulación del derecho de garantía.
- ▶ **Todos los componentes montados en la unidad motriz, así como todos los demás componentes del accionamiento de la eBike (p. ej., el plato, portaplatos, pedales) solamente deberán sustituirse por componentes de iguales dimensiones o por componentes especialmente homologados por el fabricante de su eBike.** Con ello se evita una sobrecarga o deterioro de la unidad motriz.
- ▶ **Extraiga la batería de la eBike antes de empezar cualquier trabajo en ella (p. ej., inspección, reparación, montaje, mantenimiento, trabajos en la cadena, etc.), de transportarlo en coche o en un avión o de almacenarlo.** Existe peligro de lesiones si se activa el sistema eBike de manera involuntaria.
- ▶ **Al empujar la eBike hacia atrás es posible que se conecte el sistema automáticamente.**
- ▶ **La función de ayuda para empuje deberá usarse exclusivamente al empujar la eBike.** Puede llegar a lesionarse si las ruedas de la eBike no están tocando el firme en el momento de utilizar la ayuda para empuje.
- ▶ **Si está conectada la función de asistencia para empujar caminando, cuando monte en la bicicleta, haga girar los pedales con la función de contrapedal.** Si está conectada la función de asistencia para empujar caminando, procure que haya una distancia suficiente entre sus piernas y los pedales giratorios. Existe riesgo de lesiones.

- ▶ **Únicamente utilice acumuladores originales Bosch homologados por el fabricante de su eBike.** El uso de otro tipo de acumuladores puede acarrear lesiones e incluso un incendio. Si se aplican acumuladores de otro tipo Bosch declina cualquier responsabilidad y el derecho a garantía.
- ▶ **No realice ningún tipo de modificación en su sistema eBike ni instale otros productos destinados a aumentar la potencia de su sistema eBike.** La modificación no autorizada del sistema puede causar la muerte o lesiones graves.
- ▶ **Tenga en cuenta todas las normativas locales, regionales y nacionales en cuanto al permiso de circulación y uso de la eBike.**
- ▶ **Lea y siga todas las indicaciones de seguridad e instrucciones de todos los manuales de uso del sistema eBike, así como las instrucciones de uso de su eBike.**

Descripción y prestaciones del producto

Utilización reglamentaria

El motor está concebido únicamente para impulsar la eBike y no debe emplearse para otros propósitos.

Datos técnicos

Unidad motriz	Drive Unit Cruise	
Nº de artículo		0 275 007 065
Potencia nominal continua	W	250
Par de giro máx. del accionamiento	Nm	63
Tensión nominal	V _{DC}	36
Temperatura de operación	°F	+23...+104
Temperatura de almacenamiento	°F	+14...+122
Grado de protección		IP 54 (protección contra polvo y salpicaduras de agua)
Peso, aprox.	lb	8,8

Unidad motriz		Drive Unit CX
Nº de artículo		0 275 007 038
Potencia nominal continua	W	250
Par de giro máx. del accionamiento	Nm	75
Tensión nominal	V $\overline{\text{---}}$	36
Temperatura de operación	°F	+23... +104
Temperatura de almacenamiento	°F	+14... +122
Grado de protección		IP 54 (protección contra polvo y salpicaduras de agua)
Peso, aprox.	lb	8,8

Iluminación de la bicicleta ¹⁾

Tensión aprox. ²⁾³⁾	V $\overline{\text{---}}$	6/12
Máxima potencia		
– Luz delantera	W	8,4/17,4
– Luz de atrás	W	0,6/0,6

1) dependiente de la regulación legal, por lo que la alimentación a través del acumulador de la eBike no está disponible en la ejecución para ciertos países

2) El valor de tensión está preajustado y solo puede cambiarse en un establecimiento especializado en bicicletas.

3) Al cambiar las luces, asegúrese de que las lámparas sean compatibles con el sistema eBike de Bosch (pregunte en su establecimiento especializado) y la tensión especificada coincida. Las lámparas solo pueden cambiarse por otras de la misma tensión.

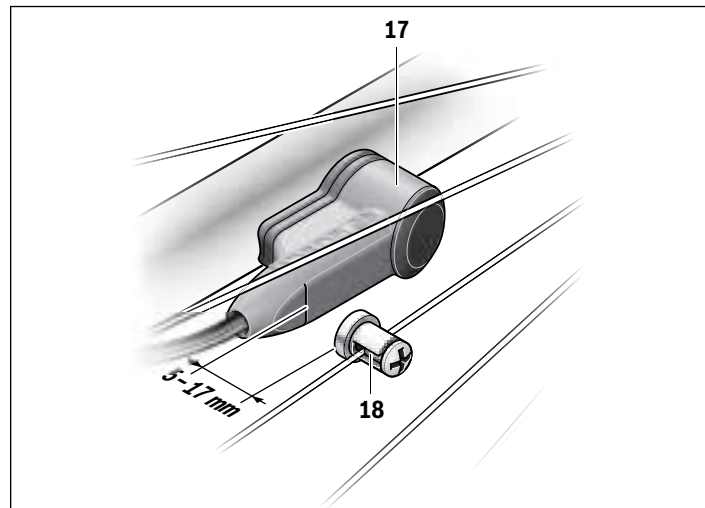
► **Cualquier otra lámpara podría quedar inutilizada.**

Montaje

Colocar y retirar la batería

Para colocar y retirar la batería de la eBike, lea y observe las instrucciones de uso de la batería.

Comprobación del captador de velocidad



17 Captador de velocidad

18 Imán de fijación a los radios para el captador de velocidad

El captador de velocidad **17** y el imán de fijación a los radios **18** deberán montarse de forma que éste se encuentre a una distancia entre 5 mm y máximo 17 mm al quedar encarado con el captador de velocidad.

Observación: Si la distancia entre el sensor de velocidad **17** y el imán de fijación a los radios **18** es demasiado pequeña o demasiado grande, o si el sensor de velocidad **17** no está conectado correctamente, fallará la indicación del tacómetro y el accionamiento de la eBike funcionará con el programa de emergencia.

En este caso, desenrosque el tornillo del imán de fijación a los radios **18** y fíjelo al radio de forma que pase por la marca del sensor de velocidad a la distancia correcta. Si aun así sigue sin aparecer la velocidad en el indicador del tacómetro, diríjase a un distribuidor de bicicletas autorizado.

Operación

Puesta en marcha

Requisitos

El sistema eBike solo puede activarse cuando se cumplen las siguientes condiciones:

- Se ha colocado una batería con suficiente carga (véanse las instrucciones de uso de la batería).
- El ordenador de a bordo está colocado correctamente en el soporte (véanse las instrucciones de uso del ordenador de a bordo).
- El sensor de velocidad está conectado correctamente (véase “Comprobación del captador de velocidad”, página Español – 4).

Conexión y desconexión del sistema de la eBike

El sistema de la eBike se puede **conectar** de las siguientes formas:

- Si el ordenador de a bordo ya está conectado al colocarlo en el soporte, el sistema eBike se enciende automáticamente.
- Cuando estén colocados el ordenador de a bordo y la batería de la eBike, pulse una vez brevemente la tecla de encendido/apagado del ordenador de a bordo.
- Con el ordenador de a bordo colocado, pulse la tecla de conexión/desconexión de la batería.

Tras el encendido, el sistema eBike se encuentra en modo **“OFF”**. Seleccione el nivel de asistencia deseado y empiece a pedalear.

El accionamiento se activa al pisar los pedales. El grado de asistencia se rige en función de los ajustes del ordenador de a bordo.

Durante el funcionamiento normal de la eBike, la asistencia del accionamiento de la misma se desactiva en el momento en que usted deje de pedalear o cuando alcance una velocidad de 20 mph. La asistencia del motor vuelve a reactivarse automáticamente al volver a pedalear, siempre que la velocidad sea inferior a 20 mph.

El sistema de la eBike se puede **desconectar** de las siguientes formas:

- Pulse la tecla de encendido/apagado del ordenador de a bordo.
- Desconecte la batería de la eBike de su tecla de conexión-desconexión (es posible que las soluciones de algunos fabricantes de bicicletas no tengan acceso a la tecla de conexión-desconexión de la batería; véase el manual de instrucciones de la batería).
- Retire el ordenador de a bordo del soporte.

Si transcurren unos 10 min sin mover la eBike **y** sin pulsar ninguna tecla en el ordenador de a bordo, el sistema de la eBike se desconecta de forma automática para ahorrar energía.

eShift (opcional)

eShift es la integración de los sistemas de cambio electrónico en el sistema de la eBike. Los componentes eShift están conectados eléctricamente de fábrica con el motor. El manejo de los sistemas electrónicos de cambio se describe en un manual de instrucciones específico.

Ajuste del modo de asistencia

En el ordenador de a bordo puede ajustar el nivel de asistencia del motor de la eBike al pedalear. Este nivel de asistencia se puede modificar en cualquier momento, también durante la marcha.

Observación: En ciertas ejecuciones puede que venga preajustado fijo el modo de asistencia y no sea posible modificarlo. También es posible que no exista una diversidad de modos de asistencia tan amplia como la aquí indicada.

En caso de que la eBike estuviera configurada de fábrica con el **“eMTB Mode”**, el factor de asistencia y el par de apriete se ajustan de manera dinámica en función de la fuerza aplicada a los pedales. El **“eMTB Mode”** solo está disponible para accionamientos Performance Line CX.

A lo sumo están disponibles los siguientes modos de asistencia:

- **“OFF”**: la asistencia del motor está desconectada, la eBike puede utilizarse pedaleando como en cualquier bicicleta normal. En este nivel de asistencia no puede activarse la función de asistencia para empujar caminando.
- **“ECO”**: eficaz asistencia de gran rendimiento para una autonomía máxima
- **“TOUR”**: asistencia uniforme para recorridos de gran alcance
- **“SPORT”/“eMTB”**
 - “SPORT”**: enérgica asistencia para una conducción deportiva en trayectos montañosos o para circular en ciudad
 - “eMTB”**: asistencia óptima en cualquier terreno, conducción deportiva, dinámica mejorada, rendimiento máximo.
- **“TURBO”**: Asistencia máxima, incluso al pedalear velozmente, para una conducción deportiva

La potencia consumida del motor se indica en la pantalla del ordenador de a bordo (no en el modelo Purion). La potencia máxima del motor depende del nivel de asistencia seleccionado.

Modo de asistencia	Factor de asistencia ¹⁾ (Cambio externo)	
	Cruise	CX
“ECO”	55 %	55 %
“TOUR”	120 %	120 %
“SPORT”/“eMTB”	190 %	210 % ... 300 % ²⁾
“TURBO”	275 %	300 %

1) El factor de asistencia puede diferir en algunos modelos.

2) Valor máximo

Tras el encendido, el sistema eBike se encuentra en modo “OFF”.

Conexión/desconexión de la Ayuda para empuje

La Ayuda para empuje le asistirá al empujar la eBike. La velocidad alcanzada en esta función (máximo 3,7 mph) depende de la marcha que tenga puesta. Cuanto más pequeña sea la marcha elegida, tanto menor es la velocidad lograda en la función de ayuda para empuje (a plena potencia).

- **La función de ayuda para empuje deberá usarse exclusivamente al empujar la eBike.** Puede llegar a lesionarse si las ruedas de la eBike no están tocando el firme en el momento de utilizar la ayuda para empuje.

Para **activar** la asistencia para empujar caminando, pulse brevemente la tecla “WALK” de su ordenador de a bordo. Tras la activación, pulse la tecla “+” antes de que pasen 3 s y manténgala pulsada. Se conecta el accionamiento de la eBike.

Observación: Con el nivel de asistencia “OFF” no puede activarse la función de asistencia para empujar caminando.

La asistencia para empujar caminando se **desconecta** en cualquiera de los siguientes casos:

- al dejar de mantener pulsada la tecla “+”;
- al bloquearse las ruedas de la eBike (p. ej., debido a una frenada o un choque con un obstáculo);
- al superar la velocidad los 3,7 mph.

Observación: En algunos sistemas, la asistencia para empujar caminando se puede iniciar pulsando directamente la tecla “WALK”.

Conectar/desconectar la iluminación de la bicicleta

En el modelo en el que la luz de marcha se alimenta mediante el sistema eBike, las luces delantera y trasera se pueden conectar y desconectar simultáneamente mediante el ordenador de a bordo.

Mantenimiento/limpieza

⚠ ADVERTENCIA

- ▶ **No abra ninguno de los componentes. El mantenimiento debe llevarse a cabo exclusivamente por parte de un distribuidor de eBike de Bosch autorizado.** El incumplimiento de la advertencia anterior puede causar la muerte o lesiones graves. Consulte su manual de la bicicleta o de aquellos componentes del sistema de accionamiento que no sean de Bosch.
- ▶ **Retire siempre la batería antes de realizar cualquier inspección, reparación o trabajo de mantenimiento en la bicicleta.** No retirar la batería antes de realizar cualquier inspección, reparación o trabajo de mantenimiento en la bicicleta puede causar la muerte o lesiones graves.
- ▶ **Si cree que hay algo suelto, no utilice la bicicleta.** Consulte a su distribuidor de eBike de Bosch; solo un proveedor de servicios cualificado puede efectuar trabajos en su sistema de accionamiento de Bosch. Las tuercas, los pernos y los tornillos necesitan la fuerza de apriete correcta. Con una fuerza menor de la necesaria, el cierre podría no estar bien sujeto. Con una fuerza excesiva, el cierre puede estropear las roscas, forzarse, deformarse o romperse. En todo caso, una fuerza de apriete incorrecta puede provocar un fallo en los componentes, lo que le puede hacer perder el control y caer.
- ▶ **Si cambia la batería, adquiera únicamente baterías originales de Bosch en un punto de venta autorizado. Diríjase a su distribuidor de eBike de Bosch para adquirir recambios originales.**
- ▶ **Desconecte siempre la batería cuando la introduzca o extraiga del soporte.** Nunca intente introducir ni extraer la batería con la bicicleta en marcha.
- ▶ **No cargue ni utilice la eBike en lugares con una atmósfera potencialmente explosiva, como gasolineras, ni en zonas en las que el aire contenga productos químicos o partículas (como semillas, polvo o polvo de metales).** Obedezca todas las señales e instrucciones.
- ▶ **No sumerja los componentes eBike en el agua ni los limpie con una manguera a presión.** El accionamiento de Bosch está diseñado para ser impermeable al agua de lluvia o a una limpieza con manguera sin presión.

- ▶ **Apunte el fabricante y el número de la llave.** Si pierde las llaves, diríjase a un distribuidor de eBike de Bosch autorizado. Facilite el nombre del fabricante y el número de la llave.
- ▶ **No pinte los componentes del sistema de accionamiento de Bosch, ya que eso podría causar un fallo temprano de los mismos.**

Trato cuidadoso de la eBike

Cumpla la temperatura de funcionamiento y almacenamiento de los componentes de la eBike. Proteja la unidad de accionamiento, el ordenador de a bordo y la batería de temperaturas extremas (p. ej. debido a una irradiación solar intensa sin ventilación simultánea). Las temperaturas extremas pueden dañar los componentes (especialmente las baterías).

Solicite por lo menos una vez al año una revisión técnica de su sistema eBike, para comprobar, entre otras cosas, que la mecánica se encuentre en buen estado y la versión del software esté actualizada.

Para el servicio técnico o la reparación de la eBike diríjase a una tienda de bicicletas autorizada.

Servicio técnico y atención al cliente

En todas las consultas sobre el sistema de la eBike y sus componentes diríjase a una tienda de bicicletas autorizada. Las direcciones de tiendas de bicicletas autorizadas las encuentra en la página de internet www.bosch-ebike.com

Si su acumulador ya no funciona acuda por favor a una tienda de bicicletas autorizada.

Limpieza

- ▶ **No sumerja los componentes eBike en el agua ni los limpie con una manguera a presión.** El accionamiento de Bosch está diseñado para ser impermeable al agua de lluvia o a una limpieza con manguera sin presión.

Mantenga limpios los componentes de su eBike, especialmente los contactos del acumulador y del respectivo soporte. Todos los componentes inclusive la unidad motriz no deberán sumergirse en agua ni tratarse con una limpiadora de alta presión. Mantenga limpios todos los componentes de su eBike, especialmente los contactos de la batería y del soporte correspondiente. Límpielos con un paño suave y húmedo (utilice únicamente jabón neutro y agua).

Performance Line

28 mph



Owner's Manual – The Bosch Drive System (28 mph)

Drive Unit | On-board computer | PowerPack | Charger

0 275 007 041 | 1 270 020 906/909/916/917 | 0 275 007 524/525/526/533...536/538 | 0 275 007 906/915



BOSCH

es Manual original



Este manual contiene información importante de seguridad, rendimiento y mantenimiento. Léalo y asegúrese de entenderlo junto con la información que le ha facilitado el fabricante de su bicicleta antes de usar el producto; guárdelo a modo de referencia.

**Edad:
a partir de
18 años**



Introducción

¡Gracias por adquirir una bicicleta equipada con el sistema de accionamiento de Bosch!

El equipo eBike Systems de Bosch le aprecia como cliente y le desea muchos años de satisfacción y seguridad con el uso de su bicicleta.

Advertencias generales



Lea íntegramente todas las indicaciones de seguridad e instrucciones. No seguir las advertencias e instrucciones siguientes puede provocar la muerte o lesiones graves.

Guarde todas las indicaciones de seguridad e instrucciones para posibles consultas futuras.

El término “acumulador” empleado en estas instrucciones de uso se refiere indistintamente tanto a los acumuladores estándar (acumuladores de fijación al cuadro de la bicicleta) como a los acumuladores para portaequipajes (acumuladores de fijación al portaequipajes).

Acerca de las advertencias

Este manual contiene muchos avisos de “**PELIGRO**”, “**ADVERTENCIA**” y “**ATENCIÓN**” relativos a las consecuencias de no utilizar, montar, mantener, almacenar, revisar y desechar de manera segura una eBike equipada de Bosch.

La combinación del símbolo de advertencia de seguridad y la palabra “**PELIGRO**” indica una situación peligrosa que, de no evitarse, **causará** la muerte o lesiones graves.

La combinación del símbolo de advertencia de seguridad y la palabra “**ADVERTENCIA**” indica una situación peligrosa que, de no evitarse, **podría causar** la muerte o lesiones graves.

La combinación del símbolo de advertencia de seguridad y la palabra “**ATENCIÓN**” indica una situación peligrosa que, de no evitarse, **podría causar** lesiones leves o moderadas.

▲ ADVERTENCIA

- ▶ **El sistema de accionamiento de Bosch está previsto para su utilización por personas a partir de 18 años.** Los ciclistas deben contar con coordinación física y capacidad mental y de reacción para controlar una bicicleta, así como con habilidad para gestionar el tráfico, las condiciones de la carretera y las situaciones imprevistas, además de respetar la legislación y las normas que regulen el uso de la bicicleta.

- ▶ **Este manual contiene información importante de seguridad, rendimiento y mantenimiento.** Léalo antes de usar su nueva bicicleta y guárdelo a modo de referencia. Puede encontrar el manual también en línea en www.bosch-ebike.com.
- ▶ **Este manual está previsto para su lectura junto con el manual de usuario aparte que venía con su bicicleta.** Antes de usar la bici por primera vez, asegúrese de leer toda la documentación facilitada, incluidas las etiquetas que lleva el producto.
- ▶ **Lea TODOS los manuales incluidos antes de montar en la bicicleta por primera vez.** Su sistema de accionamiento de Bosch incluye manuales y documentación adicionales proporcionados por el fabricante de la bicicleta y de otros componentes. No leer o desconocer la información de seguridad puede provocar la muerte o lesiones graves.
- ▶ **Por su propia SEGURIDAD, sea responsable.** Si tiene dudas o no entiende algo, consúltelo con su distribuidor o con el fabricante de la bicicleta o del componente.
- ▶ **Algunos accesorios de la eBike pueden suponer un peligro de atragantamiento para los niños pequeños.** Mantenga esos accesorios alejados de los niños.

▲ ATENCIÓN

- ▶ **El sistema de accionamiento de Bosch incrementa el peso de su bicicleta, que puede que no esté acostumbrado a levantar.** Evite las lesiones; utilice técnicas de elevación adecuadas.

Utilización de su Manual de usuario

Las instrucciones de uso se dividen en varias partes:

- unas instrucciones de uso para el sistema eBike de Bosch (estas instrucciones)
- unas instrucciones de uso para el motor
- unas instrucciones de uso para el ordenador de a bordo
- unas instrucciones de uso para el cargador
- unas instrucciones de uso para la batería

► **Lea y siga todas las indicaciones de seguridad e instrucciones de todos los manuales de uso del sistema eBike, así como las instrucciones de uso de su eBike.**

Gráficos

La bicicleta que se muestra en este manual puede diferir ligeramente de la suya; no obstante, las similitudes son suficientes para ayudarle a entender nuestras instrucciones.

Los lados DERECHO e IZQUIERDO se indican mirando en el sentido que la bicicleta tendrá al circular hacia delante. Si ve una línea discontinua (-----), el elemento al que se refiere está oculto a la vista.

Visión general del sistema de accionamiento de Bosch

Vista de la bicicleta (estándar)

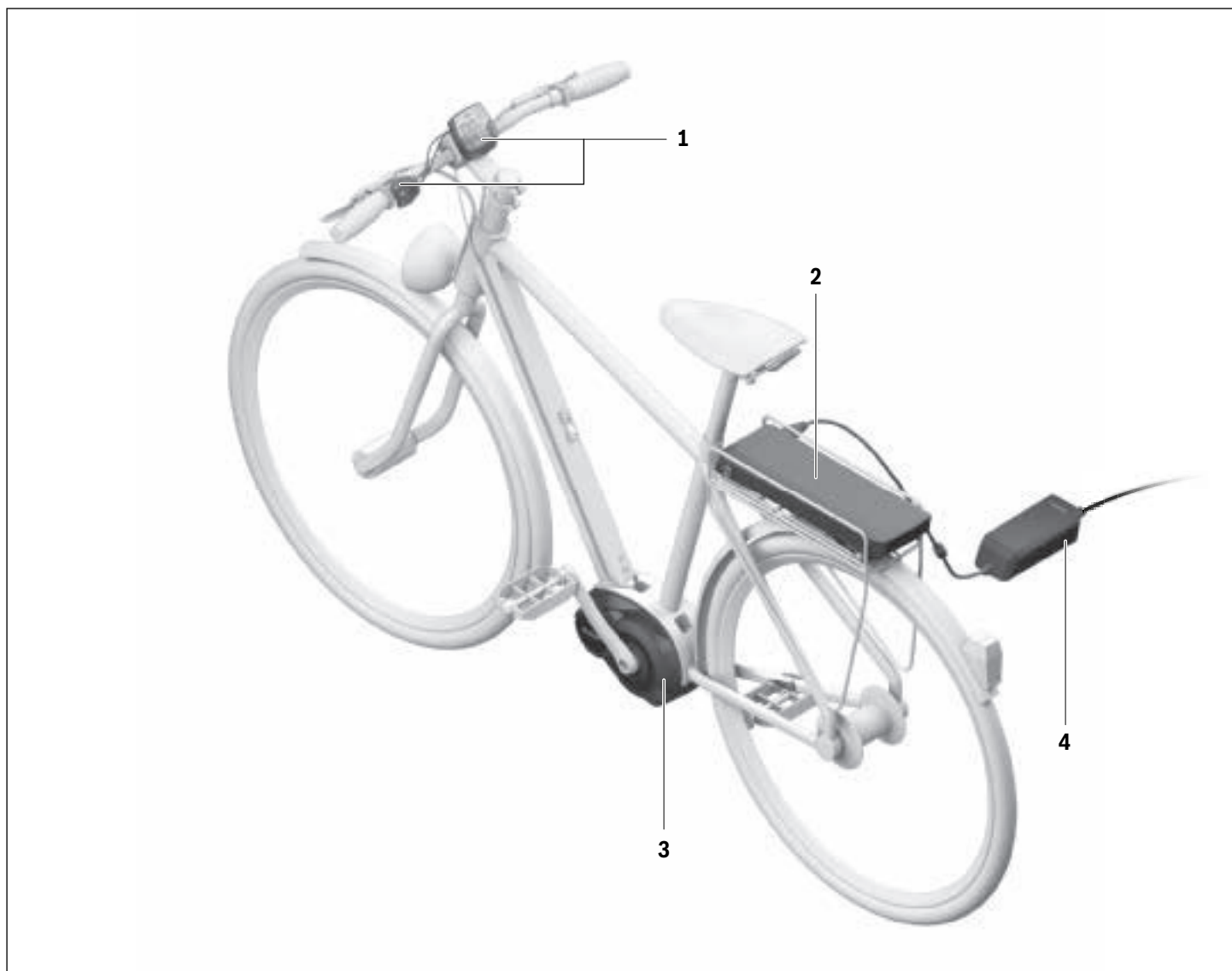


Componentes del sistema de accionamiento de Bosch

Todas las representaciones de los componentes de la bicicleta, a excepción de las baterías y sus soportes, se muestran de manera esquemática y pueden diferir de su eBike.

- 1 Ordenador de a bordo
- 2 Acumulador estándar "PowerPack"
- 3 Unidad motriz
- 4 Cargador

Vista de la bicicleta (modelo con batería en el portaequipajes)



Componentes del sistema de accionamiento de Bosch

Todas las representaciones de los componentes de la bicicleta, a excepción de las baterías y sus soportes, se muestran de manera esquemática y pueden diferir de su eBike.

- 1 Ordenador de a bordo
- 2 Acumulador para portaequipajes "PowerPack"
- 3 Unidad motriz
- 4 Cargador

Etiquetas de advertencia en el producto

A

	<p>⚠ WARNING Avoid Serious Injury or Death</p> <ul style="list-style-type: none"> • Read owner's manuals and all warnings before first ride! • Do not ride unless you are proficient / skilled in the activity of road cycling. • No operators under 18 years of age.
	<p>⚠ AVERTISSEMENT Évitez toute blessure grave ou fatale</p> <ul style="list-style-type: none"> • Lisez les manuels d'utilisation et tous les avertissements avant la première utilisation • Ne pas utiliser si vous manquez d'expérience/de compétence en matière de cyclisme sur route. • Utilisation interdite avant 18 ans.
	<p>⚠ ADVERTENCIA Cómo evitar lesiones graves o la muerte</p> <ul style="list-style-type: none"> • Lea el manual de usuario y todas las advertencias antes de utilizar la bicicleta por primera vez. • No utilice la bicicleta a menos que sea experto en ciclismo en carretera. • El producto no es apto para menores de 18 años.

A Advertencias de seguridad relativas a eBike

- **Para la protección del usuario, se han colocado etiquetas de advertencia en el sistema eBike de Bosch. Lea y siga las instrucciones de las etiquetas del producto con atención. Si una etiqueta deja de ser legible o se despegá, póngase en contacto con su proveedor de bicicletas de Bosch para obtener otra de repuesto.** Bosch proporciona etiquetas de seguridad de repuesto de forma gratuita.

Uso del sistema de accionamiento de Bosch

Preparación para montar en bicicleta

⚠ ADVERTENCIA

- ▶ **Lea y conozca todas las indicaciones de seguridad y las instrucciones.** No seguir las advertencias siguientes puede provocar la muerte o lesiones graves.
- ▶ **Proteja a otras personas de la muerte o de lesiones graves. Evite el uso no autorizado.** Extraiga siempre el acumulador de la bicicleta cuando no se estén usando y guárdelos en un lugar seguro. No asegurar su bicicleta frente a usos no autorizados puede provocar la muerte o lesiones graves a terceros.

Antes de montar en la bicicleta por primera vez

Consulte el manual de usuario de su bicicleta y localice la información importante sobre los componentes de la misma, tales como los frenos, los pedales, las marchas, los cambios, etc.

⚠ ADVERTENCIA

- ▶ **Si posee una discapacidad o minusvalía, como discapacidad visual, auditiva, física, cognitiva/del habla o padece epilepsia, consulte con su médico antes de utilizar este producto.**
- ▶ **Para reducir el riesgo de sufrir lesiones graves como consecuencia del ejercicio, tome las siguientes precauciones antes de utilizar el producto: no exceda sus propios límites.** El uso del sistema de accionamiento de Bosch requiere distintas intensidades de actividad física.

Consulte con un médico antes de utilizar este dispositivo si padece alguna patología que pueda afectar a su capacidad de realizar actividad física de forma segura o también en los siguientes casos:

- si está o cree que puede estar embarazada;
- si tiene problemas de corazón, respiratorios, en la espalda, las articulaciones o sufre otros trastornos ortopédicos;
- si tiene la tensión alta;
- si tiene dificultad para realizar ejercicio físico;
- si su médico le ha prescrito restringir el nivel de actividad física.

- ▶ **Llevar casco puede evitar lesiones graves en la cabeza. Cuando conduzca, lleve siempre un casco que cumpla o exceda lo dispuesto en las normas sobre seguridad.** Los cascos homologados en EE. UU. deben cumplir las normas de la Comisión de Seguridad de Productos del Consumidor de EE.UU. (CPSC, por sus siglas en inglés). Busque, por tanto, cascos que cumplan las normas de la CPSC.
- ▶ **Conducir una bicicleta equipada con un sistema de accionamiento de Bosch capaz de alcanzar una velocidad de 28 mph requiere el dominio del deporte del ciclismo.** Este producto puede ayudarle a alcanzar velocidades superiores a las que podía alcanzar sin la ayuda de asistencia con motor. También puede permitirle conducir durante periodos más largos con una velocidad superior. Una velocidad superior implica también una mayor fuerza de impacto en caso de colisión. Controle su bicicleta en todo momento. La velocidad y la edad son factores que incrementan el riesgo de sufrir lesiones graves. Para utilizar este producto de forma segura se requiere:
 - tener conocimientos sobre las normas, leyes y consejos de seguridad relativos a la conducción de una bicicleta (conducir de forma segura);
 - tener capacidad para manejar y controlar una bicicleta de carretera estándar;
 - ser un ciclista experimentado en activo;
 - ser capaz de conducir de forma segura y cómoda a velocidades de hasta 28 mph;
 - contar con una bicicleta apropiada para su estilo de conducción, que se ajuste perfectamente a sus dimensiones corporales y que se encuentre en perfecto estado técnico.
- ▶ **No utilice este producto si se encuentra bajo la influencia de drogas o alcohol.**
- ▶ **Cuando vaya en la bicicleta, no se distraiga con el ordenador de a bordo y manténgase siempre alerta a todas las condiciones de circulación.** El ordenador de a bordo debe manejarse únicamente en parado y en una posición segura de arranque. Utilice el cuadro de mandos para cambiar los niveles de asistencia del motor mientras esté circulando.

- ▶ **Consulte el manual de su bicicleta para conocer el peso máximo de circulación de la misma.** Si sobrecarga la bicicleta puede provocar un fallo en los componentes, lo que puede causar la muerte o lesiones graves. Por lo general, el peso de circulación máximo viene definido por la suma del peso del ciclista más el peso del equipaje.
- ▶ **Además de leer y comprender el manual de usuario, asegúrese de conocer bien la normativa local o vuelva a familiarizarse con ella antes de utilizar este producto.** Consulte a su proveedor de bicicletas, una biblioteca o una librería para escoger los recursos de aprendizaje más apropiados.

Utilización reglamentaria

⚠ ADVERTENCIA

- ▶ **Conozca su bicicleta y su uso previsto a partir de la consulta de su manual de usuario de la bicicleta.** Si utiliza su bicicleta de manera incorrecta y con un fin para el que no haya sido diseñada, puede causar la muerte o lesiones graves.
- ▶ **Emplear el sistema de accionamiento de Bosch para propósitos distintos a aquellos para los que se diseñó puede provocar lesiones graves o incluso mortales.**

Ciclistas expertos (de más de 18 años) que conducen por superficies pavimentadas donde los neumáticos están en continuo contacto con el suelo; calzada, carriles exclusivos para bicicletas donde la ley lo permita (no carriles de uso compartido con los peatones o aceras). No es un producto apto para remolcar.

Su accionamiento de Bosch no está diseñado para tirar de otra bicicleta. Para remolcar, consulte el manual de usuario de su bicicleta y el manual de usuario del remolque en busca de las instrucciones de remolcado y la compatibilidad para el mismo.

Procedimiento de arranque seguro

⚠ ADVERTENCIA

- ▶ **Siga el procedimiento de arranque seguro que se recoge a continuación.** Incumplir el procedimiento de arranque seguro puede provocar la muerte o lesiones graves.

Preparación

Antes de empezar, compruebe lo siguiente

- Compruebe que ha desenchufado el cargador
- La batería está asegurada en su sitio (tire de la batería para asegurarse de que está asegurada en su sitio)
- Retire la llave de la batería

Empiece a circular

- Siéntese en el sillín con los dos pies apoyados en el suelo y las dos manos en el manillar.
- Cuando esté en posición estable, encienda el ordenador de a bordo de Bosch. El sistema de accionamiento de Bosch arranca siempre en modo “OFF”.
- Coloque las dos manos en el manillar y empiece a pedalear.

Instrucciones para la conducción con el sistema de la eBike

¿Cuándo trabaja el accionamiento de la eBike?

El accionamiento de la eBike le asiste siempre que Ud. vaya pedaleando. La asistencia cesa cuando deja de pedalear. La potencia del motor depende siempre de la fuerza aplicada al pedalear.

Si la fuerza aplicada es baja la asistencia es menor que al aplicar gran fuerza. Ello es independiente del modo de asistencia seleccionado.

La asistencia del motor de la eBike se desconecta automáticamente a velocidades superiores a 28 mph. Si la velocidad queda por debajo de 28 mph, la asistencia del motor se vuelve a activar de forma automática.

Siempre que Ud. lo desee puede circular también sin la asistencia motorizada con la eBike, igual que con una bicicleta convencional, ya sea desconectando el sistema de la eBike o ajustando el nivel de asistencia a “OFF”. Lo mismo es válido con un acumulador vacío.

Interacción entre el sistema de la eBike y el cambio

También con el accionamiento de la eBike el cambio deberá utilizarse igual que en una bicicleta convencional (consulte al respecto las instrucciones de uso de su eBike).

Independientemente del tipo de cambio empleado es recomendable dejar de pedalear brevemente antes de efectuar un cambio de marcha. Ello no sólo facilita el cambio de marcha sino que también reduce el desgaste del mecanismo de accionamiento.

Seleccionando el cambio de marcha correcto Ud. puede aumentar la velocidad y el alcance aplicando la misma fuerza muscular.

Compruebe la autonomía de eBike bajo condiciones diferentes antes de realizar unos recorridos más largos y difíciles.

- ▶ **Lea y conozca el apartado de “Influencias sobre la autonomía” recogido a continuación para planificar su viaje.**

Influencias sobre la autonomía

La autonomía depende de muchos factores, como:

- el nivel de asistencia,
- la velocidad,
- los cambios de marcha,
- el tipo de neumáticos y la presión de los mismos,
- la antigüedad y el estado de la batería,
- el perfil de la ruta (subidas) y sus características (superficie de la calzada),
- el viento en contra y la temperatura ambiente, y
- el peso de la eBike, del conductor y del equipaje.

Por este motivo no es posible prever con exactitud la autonomía restante antes de emprender un viaje ni durante el mismo. Sin embargo, como regla general se aplica:

- Con el **mismo** nivel de asistencia del motor de la eBike: cuanto menos fuerza deba aplicar para alcanzar una velocidad determinada (p. ej. mediante el uso óptimo de las marchas), menos energía consumirá el motor de la eBike y mayor será la autonomía de la batería.
- Cuanto **mayor** sea el nivel de asistencia, manteniendo iguales las demás condiciones, tanto menor será la autonomía obtenida.

Observación: Planifique sus rutas de manera que en todo momento pueda alcanzar su destino sin ayuda del motor.

Transporte

⚠ ADVERTENCIA

- ▶ **Si lleva su eBike en el exterior del automóvil, por ejemplo en un portaequipajes externo al vehículo, retire el ordenador de a bordo y la batería de la eBike para evitar daños.** (Los ordenadores de a bordo que no pueden conectarse en un soporte no pueden retirarse de la bicicleta. En este caso el ordenador de a bordo permanecerá en la bicicleta.)
- ▶ **Extraiga siempre la batería de la bicicleta antes de transportarla en un portabicicletas sobre un vehículo.** No extraer la batería cuando se utiliza un portabicicletas sobre un vehículo puede causar la muerte o lesiones graves. La batería podría soltarse durante el transporte y causar un accidente a otros vehículos.
- ▶ **Utilice en todo caso un portabicicletas homologado y compatible cuando transporte su eBike. El sistema de accionamiento de Bosch incrementa el peso de la bicicleta.** Consulte el manual de su portabicicletas para asegurarse de que la eBike es compatible. Sobrecargar un portabicicletas puede causar la muerte o lesiones graves.
- ▶ **Utilice técnicas de elevación adecuadas, ya que las bicicletas eléctricas suelen ser más pesadas que las normales.**

Transporte únicamente baterías cuya carcasa esté intacta. Pegue los contactos abiertos y empaquete la batería de manera que no se mueva dentro del embalaje. Indique al servicio de paquetería que se trata de mercancía peligrosa. Observe también la normativa nacional aplicable. Compruebe siempre las normativas estatales y regionales antes de transportar sus baterías.

En todas las consultas referentes al transporte de los acumuladores diríjase a una tienda de bicicletas autorizada. En dichas tiendas puede Ud. adquirir también un embalaje de transporte apropiado.

Mantenimiento/limpieza

⚠ ADVERTENCIA

- ▶ **Los componentes del sistema de accionamiento de Bosch no necesitan mantenimiento.** No abra ninguno de los componentes. El mantenimiento debe llevarse a cabo exclusivamente por parte de un distribuidor de eBike de Bosch autorizado. El incumplimiento de la advertencia anterior puede causar la muerte o lesiones graves. Consulte su manual de la bicicleta o de aquellos componentes del sistema de accionamiento que no sean de Bosch.
- ▶ **Retire siempre la batería antes de realizar cualquier inspección, reparación o trabajo de mantenimiento en la bicicleta.** No retirar la batería antes de realizar cualquier inspección, reparación o trabajo de mantenimiento en la bicicleta puede causar la muerte o lesiones graves.
- ▶ **Si cree que hay algo suelto, no utilice la bicicleta.** Consulte a su distribuidor de eBike de Bosch; solo un proveedor de servicios cualificado puede efectuar trabajos en su sistema de accionamiento de Bosch. Las tuercas, los pernos y los tornillos necesitan la fuerza de apriete correcta. Con una fuerza menor de la necesaria, el cierre podría no estar bien sujeto. Con una fuerza excesiva, el cierre puede estropear las roscas, forzarse, deformarse o romperse. En todo caso, una fuerza de apriete incorrecta puede provocar un fallo en los componentes, lo que le puede hacer perder el control y caer.
- ▶ **Si cambia la batería, adquiera únicamente baterías originales de Bosch en un punto de venta autorizado. Diríjase a su distribuidor de eBike de Bosch para adquirir recambios originales.**
- ▶ **Desconecte siempre la batería cuando la introduzca o extraiga del soporte.** Nunca intente introducir ni extraer la batería con la bicicleta en marcha.
- ▶ **No cargue ni utilice la eBike en lugares con una atmósfera potencialmente explosiva, como gasolineras, ni en zonas en las que el aire contenga productos químicos o partículas (como semillas, polvo o polvo de metales).** Obedezca todas las señales e instrucciones.
- ▶ **No sumerja los componentes eBike en el agua ni los limpie con una manguera a presión.** El accionamiento de Bosch está diseñado para ser impermeable al agua de lluvia o a una limpieza con manguera sin presión.

- ▶ **Apunte el fabricante y el número de la llave.** Si pierde las llaves, diríjase a un distribuidor de eBike de Bosch autorizado. Facilite el nombre del fabricante y el número de la llave.
- ▶ **No pinte los componentes del sistema de accionamiento de Bosch, ya que eso podría causar un fallo temprano de los mismos.**

Trato cuidadoso de la eBike

Cumpla la temperatura de funcionamiento y almacenamiento de los componentes de la eBike. Proteja la unidad de accionamiento, el ordenador de a bordo y la batería de temperaturas extremas (p. ej. debido a una irradiación solar intensa sin ventilación simultánea). Las temperaturas extremas pueden dañar los componentes (especialmente las baterías).

Solicite por lo menos una vez al año una revisión técnica de su sistema eBike, para comprobar, entre otras cosas, que la mecánica se encuentre en buen estado y la versión del software esté actualizada.

Para el servicio técnico o la reparación de la eBike diríjase a una tienda de bicicletas autorizada.

Servicio técnico y atención al cliente

En todas las consultas sobre el sistema de la eBike y sus componentes diríjase a una tienda de bicicletas autorizada.

Las direcciones de tiendas de bicicletas autorizadas las encuentra en la página de internet **www.bosch-ebike.com**

Si su acumulador ya no funciona acuda por favor a una tienda de bicicletas autorizada.

Limpieza

- ▶ **No sumerja los componentes eBike en el agua ni los limpie con una manguera a presión.** El accionamiento de Bosch está diseñado para ser impermeable al agua de lluvia o a una limpieza con manguera sin presión.

Mantenga limpios los componentes de su eBike, especialmente los contactos del acumulador y del respectivo soporte. Todos los componentes inclusive la unidad motriz no deberán sumergirse en agua ni tratarse con una limpiadora de alta presión. Mantenga limpios todos los componentes de su eBike, especialmente los contactos de la batería y del soporte correspondiente. Límpielos con un paño suave y húmedo (utilice únicamente jabón neutro y agua).

Programa de reciclaje de baterías

Advertencias generales

Eliminación



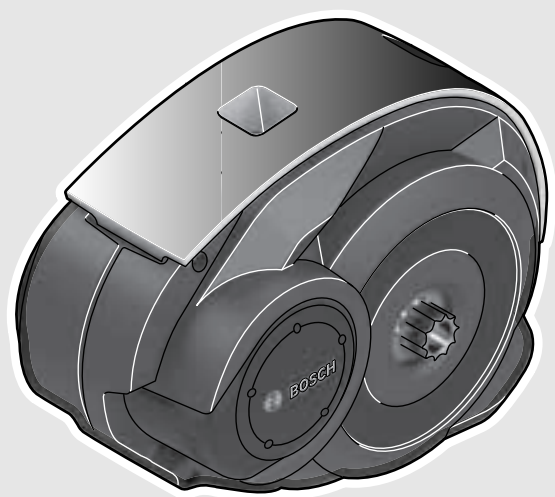
La unidad de accionamiento, el ordenador de a bordo incl. la unidad de mando, la batería, el sensor de velocidad, los accesorios y los embalajes deberían reciclarse de forma respetuosa con el medio ambiente.

¡No arroje las eBike ni sus componentes a la basura!

Puede reciclar su batería de Bosch llamando al 1.800.822.8837.



Performance Line



Owner's Manual – The Bosch Drive System (28 mph)

Drive Unit

BDU290P: 0 275 007 041



BOSCH

es Manual original



Este manual contiene información importante de seguridad, rendimiento y mantenimiento. Léalo y asegúrese de entenderlo junto con la información que le ha facilitado el fabricante de su bicicleta antes de usar el producto; guárdelo a modo de referencia.



Introducción

¡Gracias por adquirir una bicicleta equipada con el sistema de accionamiento de Bosch!

El equipo eBike Systems de Bosch le aprecia como cliente y le desea muchos años de satisfacción y seguridad con el uso de su bicicleta.

Advertencias generales



Lea íntegramente todas las indicaciones de seguridad e instrucciones. No seguir las advertencias e instrucciones siguientes puede provocar la muerte o lesiones graves.

Guarde todas las indicaciones de seguridad e instrucciones para posibles consultas futuras.

El término “acumulador” empleado en estas instrucciones de uso se refiere indistintamente tanto a los acumuladores estándar (acumuladores de fijación al cuadro de la bicicleta) como a los acumuladores para portaequipajes (acumuladores de fijación al portaequipajes).

Acerca de las advertencias

Este manual contiene muchos avisos de “**PELIGRO**”, “**ADVERTENCIA**” y “**ATENCIÓN**” relativos a las consecuencias de no utilizar, montar, mantener, almacenar, revisar y desecharse de manera segura una eBike equipada de Bosch.

La combinación del símbolo de advertencia de seguridad y la palabra “**PELIGRO**” indica una situación peligrosa que, de no evitarse, **causará** la muerte o lesiones graves.

La combinación del símbolo de advertencia de seguridad y la palabra “**ADVERTENCIA**” indica una situación peligrosa que, de no evitarse, **podría causar** la muerte o lesiones graves.

La combinación del símbolo de advertencia de seguridad y la palabra “**ATENCIÓN**” indica una situación peligrosa que, de no evitarse, **podría causar** lesiones leves o moderadas.

⚠ ADVERTENCIA

- ▶ **Este manual contiene información importante de seguridad, rendimiento y mantenimiento.** Léalo antes de usar su nueva bicicleta y guárdelo a modo de referencia. Puede encontrar el manual también en línea en www.bosch-ebike.com.
- ▶ **Este manual está previsto para su lectura junto con el manual de usuario aparte que venía con su bicicleta.** Antes de usar la bici por primera vez, asegúrese de leer toda la documentación facilitada, incluidas las etiquetas que lleva el producto.

- ▶ **Lea TODOS los manuales incluidos antes de montar en la bicicleta por primera vez.** Su sistema de accionamiento de Bosch incluye manuales y documentación adicionales proporcionados por el fabricante de la bicicleta y de otros componentes. No leer o desconocer la información de seguridad puede provocar la muerte o lesiones graves.
- ▶ **Por su propia SEGURIDAD, sea responsable.** Si tiene dudas o no entiende algo, consúltelo con su distribuidor o con el fabricante de la bicicleta o del componente.
- ▶ **Algunos accesorios de la eBike pueden suponer un peligro de atragantamiento para los niños pequeños.** Mantenga esos accesorios alejados de los niños.

⚠ ATENCIÓN

- ▶ **El sistema de accionamiento de Bosch incrementa el peso de su bicicleta, que puede que no esté acostumbrado a levantar.** Evite las lesiones; utilice técnicas de elevación adecuadas.

Utilización de su Manual de usuario

Gráficos

La bicicleta que se muestra en este manual puede diferir ligeramente de la suya; no obstante, las similitudes son suficientes para ayudarle a entender nuestras instrucciones.

Los lados DERECHO e IZQUIERDO se indican mirando en el sentido que la bicicleta tendrá al circular hacia delante. Si ve una línea discontinua (-----), el elemento al que se refiere está oculto a la vista.

Uso del motor de Bosch

Instrucciones de seguridad



Lea y conozca todas las indicaciones de seguridad y las instrucciones. No seguir las advertencias siguientes puede provocar la muerte o lesiones graves.

Guarde todas las indicaciones de seguridad e instrucciones para posibles consultas futuras.

El término “acumulador” empleado en estas instrucciones de uso se refiere indistintamente tanto a los acumuladores estándar (acumuladores de fijación al cuadro de la bicicleta) como a los acumuladores para portaequipajes (acumuladores de fijación al portaequipajes).

- ▶ **No abra el motor por su cuenta. El motor solo debe ser reparado por personal técnico cualificado y solo deben utilizarse piezas de repuesto originales.** De esta manera queda garantizada la preservación de la seguridad del motor. La apertura del motor sin autorización comporta la anulación del derecho de garantía.
- ▶ **Todos los componentes montados en la unidad motriz, así como todos los demás componentes del accionamiento de la eBike (p. ej., el plato, portaplatos, pedales) solamente deberán sustituirse por componentes de iguales dimensiones o por componentes especialmente homologados por el fabricante de su eBike.** Con ello se evita una sobrecarga o deterioro de la unidad motriz.
- ▶ **Extraiga la batería de la eBike antes de empezar cualquier trabajo en ella (p. ej., inspección, reparación, montaje, mantenimiento, trabajos en la cadena, etc.), de transportarlo en coche o en un avión o de almacenarlo.** Existe peligro de lesiones si se activa el sistema eBike de manera involuntaria.
- ▶ **Al empujar la eBike hacia atrás es posible que se conecte el sistema automáticamente.**
- ▶ **La función de ayuda para empuje deberá usarse exclusivamente al empujar la eBike.** Puede llegar a lesionarse si las ruedas de la eBike no están tocando el firme en el momento de utilizar la ayuda para empuje.
- ▶ **Únicamente utilice acumuladores originales Bosch homologados por el fabricante de su eBike.** El uso de otro tipo de acumuladores puede acarrear lesiones e incluso un incendio. Si se aplican acumuladores de otro tipo Bosch declina cualquier responsabilidad y el derecho a garantía.

- ▶ **No realice ningún tipo de modificación en su sistema eBike ni instale otros productos destinados a aumentar la potencia de su sistema eBike.** La modificación no autorizada del sistema puede causar la muerte o lesiones graves.
- ▶ **Tenga en cuenta todas las normativas locales, regionales y nacionales en cuanto al permiso de circulación y uso de la eBike.**
- ▶ **Lea y siga todas las indicaciones de seguridad e instrucciones de todos los manuales de uso del sistema eBike, así como las instrucciones de uso de su eBike.**

Descripción y prestaciones del producto

Utilización reglamentaria

El motor está concebido únicamente para impulsar la eBike y no debe emplearse para otros propósitos.

Datos técnicos

Unidad motriz		Drive Unit Speed
Nº de artículo		0 275 007 041
Potencia nominal continua	W	250
Par de giro máx. del accionamiento	Nm	63
Tensión nominal	V _{nom}	36
Temperatura de operación	°F	+23... +104
Temperatura de almacenamiento	°F	+14... +122
Grado de protección		IP 54 (protección contra polvo y salpicaduras de agua)
Peso, aprox.	lb	8,8

Iluminación de la bicicleta ¹⁾

Tensión aprox. ²⁾³⁾	V _{nom}	6/12
Máxima potencia		
– Luz delantera	W	8,4/17,4
– Luz de atrás	W	0,6/0,6

1) dependiente de la regulación legal, por lo que la alimentación a través del acumulador de la eBike no está disponible en la ejecución para ciertos países

2) El valor de tensión está preajustado y solo puede cambiarse en un establecimiento especializado en bicicletas.

3) Al cambiar las luces, asegúrese de que las lámparas sean compatibles con el sistema eBike de Bosch (pregunte en su establecimiento especializado) y la tensión especificada coincida. Las lámparas solo pueden cambiarse por otras de la misma tensión.

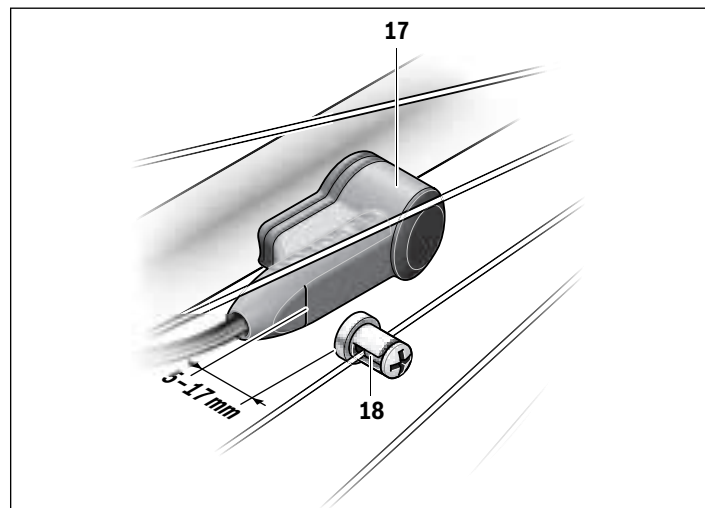
► **Cualquier otra lámpara podría quedar inutilizada.**

Montaje

Colocar y retirar la batería

Para colocar y retirar la batería de la eBike, lea y observe las instrucciones de uso de la batería.

Comprobación del captador de velocidad



17 Captador de velocidad

18 Imán de fijación a los radios para el captador de velocidad

El captador de velocidad **17** y el imán de fijación a los radios **18** deberán montarse de forma que éste se encuentre a una distancia entre 5 mm y máximo 17 mm al quedar encarado con el captador de velocidad.

Observación: Si la distancia entre el sensor de velocidad **17** y el imán de fijación a los radios **18** es demasiado pequeña o demasiado grande, o si el sensor de velocidad **17** no está conectado correctamente, fallará la indicación del tacómetro y el accionamiento de la eBike funcionará con el programa de emergencia.

En este caso, desenrosque el tornillo del imán de fijación a los radios **18** y fíjelo al radio de forma que pase por la marca del sensor de velocidad a la distancia correcta. Si aun así sigue sin aparecer la velocidad en el indicador del tacómetro, diríjase a un distribuidor de bicicletas autorizado.

Operación

Puesta en marcha

Requisitos

El sistema eBike solo puede activarse cuando se cumplen las siguientes condiciones:

- Se ha colocado una batería con suficiente carga (véanse las instrucciones de uso de la batería).
- El ordenador de a bordo está colocado correctamente en el soporte (véanse las instrucciones de uso del ordenador de a bordo).
- El sensor de velocidad está conectado correctamente (véase “Comprobación del captador de velocidad”, página Español – 4).

Conexión y desconexión del sistema de la eBike

El sistema de la eBike se puede **conectar** de las siguientes formas:

- Si el ordenador de a bordo ya está conectado al colocarlo en el soporte, el sistema eBike se enciende automáticamente.
- Cuando estén colocados el ordenador de a bordo y la batería de la eBike, pulse una vez brevemente la tecla de encendido/apagado del ordenador de a bordo.
- Con el ordenador de a bordo colocado, pulse la tecla de conexión/desconexión de la batería.

Tras el encendido, el sistema eBike se encuentra en modo **“OFF”**. Seleccione el nivel de asistencia deseado y empiece a pedalear.

El accionamiento se activa al pisar los pedales. El grado de asistencia se rige en función de los ajustes del ordenador de a bordo.

Durante el funcionamiento normal de la eBike, la asistencia del accionamiento de la misma se desactiva en el momento en que usted deje de pedalear o cuando alcance una velocidad de 28 mph. La asistencia del motor vuelve a reactivarse automáticamente al volver a pedalear, siempre que la velocidad sea inferior a 28 mph.

El sistema de la eBike se puede **desconectar** de las siguientes formas:

- Pulse la tecla de encendido/apagado del ordenador de a bordo.
- Desconecte la batería de la eBike mediante su tecla de encendido/apagado (véanse las instrucciones de uso de la batería).
- Retire el ordenador de a bordo del soporte.

Si transcurren unos 10 min sin mover la eBike y sin pulsar ninguna tecla en el ordenador de a bordo, el sistema de la eBike se desconecta de forma automática para ahorrar energía.

eShift (opcional)

eShift es la integración de los sistemas de conexión/desconexión automática en el sistema de la eBike. Los componentes eShift están conectados eléctricamente de fábrica con el motor. El manejo de los sistemas automáticos de cambio se describe en las instrucciones de uso del ordenador de a bordo.

Ajuste del modo de asistencia

En el ordenador de a bordo puede ajustar el nivel de asistencia del motor de la eBike al pedalear. Este nivel de asistencia se puede modificar en cualquier momento, también durante la marcha.

Observación: En ciertas ejecuciones puede que venga preajustado fijo el modo de asistencia y no sea posible modificarlo. También es posible que no exista una diversidad de modos de asistencia tan amplia como la aquí indicada.

A lo sumo están disponibles los siguientes modos de asistencia:

- **“OFF”**: la asistencia del motor está desconectada, la eBike puede utilizarse pedaleando como en cualquier bicicleta normal. En este nivel de asistencia no puede activarse la función de asistencia para empujar caminando.
- **“ECO”**: eficaz asistencia de gran rendimiento para una autonomía máxima
- **“TOUR”**: asistencia uniforme para recorridos de gran alcance
- **“SPORT”**: enérgica asistencia para una conducción deportiva en trayectos montañosos o para circular en ciudad
- **“TURBO”**: Asistencia máxima, incluso al pedalear velozmente, para una conducción deportiva

La potencia consumida del motor se indica en la pantalla del ordenador de a bordo. La potencia máxima del motor depende del nivel de asistencia seleccionado.

Modo de asistencia	Factor de asistencia* (Cambio externo)
“ECO”	55 %
“TOUR”	120 %
“SPORT”	190 %
“TURBO”	275 %

* La potencia del motor puede variar según la ejecución.

Tras el encendido, el sistema eBike se encuentra en modo **“OFF”**.

Conexión/desconexión de la Ayuda para empuje

La Ayuda para empuje le asistirá al empujar la eBike. La velocidad alcanzada en esta función (máximo 3,7 mph) depende de la marcha que tenga puesta. Cuanto más pequeña sea la marcha elegida, tanto menor es la velocidad lograda en la función de ayuda para empuje (a plena potencia).

- **La función de ayuda para empuje deberá usarse exclusivamente al empujar la eBike.** Puede llegar a lesionarse si las ruedas de la eBike no están tocando el firme en el momento de utilizar la ayuda para empuje.

Para **activar** la asistencia para empujar caminando, pulse brevemente la tecla **“WALK”** de su ordenador de a bordo. Tras la activación, pulse la tecla **“+”** antes de que pasen 3 s y manténgala pulsada. Se conecta el accionamiento de la eBike.

Observación: Con el nivel de asistencia **“OFF”** no puede activarse la función de asistencia para empujar caminando.

La asistencia para empujar caminando se **desconecta** en cualquiera de los siguientes casos:

- al dejar de mantener pulsada la tecla **“+”**;
- al bloquearse las ruedas de la eBike (p. ej., debido a una frenada o un choque con un obstáculo);
- al superar la velocidad los 3,7 mph.

Observación: En algunos sistemas, la asistencia para empujar caminando se puede iniciar pulsando directamente la tecla **“WALK”**.

Conectar/desconectar la iluminación de la bicicleta

En el modelo en el que la luz de marcha se alimenta mediante el sistema eBike, las luces delantera y trasera se pueden conectar y desconectar simultáneamente mediante el ordenador de a bordo.

Mantenimiento/limpieza

⚠ ADVERTENCIA

- ▶ **Los componentes del sistema de accionamiento de Bosch no necesitan mantenimiento.** No abra ninguno de los componentes. El mantenimiento debe llevarse a cabo exclusivamente por parte de un distribuidor de eBike de Bosch autorizado. El incumplimiento de la advertencia anterior puede causar la muerte o lesiones graves. Consulte su manual de la bicicleta o de aquellos componentes del sistema de accionamiento que no sean de Bosch.
- ▶ **Retire siempre la batería antes de realizar cualquier inspección, reparación o trabajo de mantenimiento en la bicicleta.** No retirar la batería antes de realizar cualquier inspección, reparación o trabajo de mantenimiento en la bicicleta puede causar la muerte o lesiones graves.
- ▶ **Si cree que hay algo suelto, no utilice la bicicleta.** Consulte a su distribuidor de eBike de Bosch; solo un proveedor de servicios cualificado puede efectuar trabajos en su sistema de accionamiento de Bosch. Las tuercas, los pernos y los tornillos necesitan la fuerza de apriete correcta. Con una fuerza menor de la necesaria, el cierre podría no estar bien sujeto. Con una fuerza excesiva, el cierre puede estropear las roscas, forzarse, deformarse o romperse. En todo caso, una fuerza de apriete incorrecta puede provocar un fallo en los componentes, lo que le puede hacer perder el control y caer.
- ▶ **Si cambia la batería, adquiera únicamente baterías originales de Bosch en un punto de venta autorizado. Diríjase a su distribuidor de eBike de Bosch para adquirir recambios originales.**
- ▶ **Desconecte siempre la batería cuando la introduzca o extraiga del soporte.** Nunca intente introducir ni extraer la batería con la bicicleta en marcha.
- ▶ **No cargue ni utilice la eBike en lugares con una atmósfera potencialmente explosiva, como gasolineras, ni en zonas en las que el aire contenga productos químicos o partículas (como semillas, polvo o polvo de metales).** Obedezca todas las señales e instrucciones.
- ▶ **No sumerja los componentes eBike en el agua ni los limpie con una manguera a presión.** El accionamiento de Bosch está diseñado para ser impermeable al agua de lluvia o a una limpieza con manguera sin presión.

- ▶ **Apunte el fabricante y el número de la llave.** Si pierde las llaves, diríjase a un distribuidor de eBike de Bosch autorizado. Facilite el nombre del fabricante y el número de la llave.
- ▶ **No pinte los componentes del sistema de accionamiento de Bosch, ya que eso podría causar un fallo temprano de los mismos.**

Trato cuidadoso de la eBike

Cumpla la temperatura de funcionamiento y almacenamiento de los componentes de la eBike. Proteja la unidad de accionamiento, el ordenador de a bordo y la batería de temperaturas extremas (p. ej. debido a una irradiación solar intensa sin ventilación simultánea). Las temperaturas extremas pueden dañar los componentes (especialmente las baterías).

Solicite por lo menos una vez al año una revisión técnica de su sistema eBike, para comprobar, entre otras cosas, que la mecánica se encuentre en buen estado y la versión del software esté actualizada.

Para el servicio técnico o la reparación de la eBike diríjase a una tienda de bicicletas autorizada.

Servicio técnico y atención al cliente

En todas las consultas sobre el sistema de la eBike y sus componentes diríjase a una tienda de bicicletas autorizada. Las direcciones de tiendas de bicicletas autorizadas las encuentra en la página de internet www.bosch-ebike.com

Limpieza

- ▶ **No sumerja los componentes eBike en el agua ni los limpie con una manguera a presión.** El accionamiento de Bosch está diseñado para ser impermeable al agua de lluvia o a una limpieza con manguera sin presión.
- Mantenga limpios los componentes de su eBike, especialmente los contactos del acumulador y del respectivo soporte. Todos los componentes inclusive la unidad motriz no deberán sumergirse en agua ni tratarse con una limpiadora de alta presión. Mantenga limpios todos los componentes de su eBike, especialmente los contactos de la batería y del soporte correspondiente. Límpielos con un paño suave y húmedo (utilice únicamente jabón neutro y agua).

Performance Line



Owner's Manual – The Bosch Drive System Battery

BBS261, BBS266, BBS271, BBS276, BBR261, BBR266, BBR271, BBR276, BBP280, BBP281



BOSCH

es Manual original



Este manual contiene información importante de seguridad, rendimiento y mantenimiento. Léalo y asegúrese de entenderlo junto con la información que le ha facilitado el fabricante de su bicicleta antes de usar el producto; guárdelo a modo de referencia.



Introducción

¡Gracias por adquirir una bicicleta equipada con el sistema de accionamiento de Bosch!

El equipo eBike Systems de Bosch le aprecia como cliente y le desea muchos años de satisfacción y seguridad con el uso de su bicicleta.

Advertencias generales



Lea íntegramente todas las indicaciones de seguridad e instrucciones. No seguir las advertencias e instrucciones siguientes puede provocar la muerte o lesiones graves.

Guarde todas las indicaciones de seguridad e instrucciones para posibles consultas futuras.

El término “batería” empleado en este manual del usuario se refiere a todas las baterías para eBike originales de Bosch.

Acerca de las advertencias

Este manual contiene muchos avisos de “**PELIGRO**”, “**ADVERTENCIA**” y “**ATENCIÓN**” relativos a las consecuencias de no utilizar, montar, mantener, almacenar, revisar y desechar de manera segura una eBike equipada de Bosch.

La combinación del símbolo de advertencia de seguridad y la palabra “**PELIGRO**” indica una situación peligrosa que, de no evitarse, **causará** la muerte o lesiones graves.

La combinación del símbolo de advertencia de seguridad y la palabra “**ADVERTENCIA**” indica una situación peligrosa que, de no evitarse, **podría** causar la muerte o lesiones graves.

La combinación del símbolo de advertencia de seguridad y la palabra “**ATENCIÓN**” indica una situación peligrosa que, de no evitarse, **podría** causar lesiones leves o moderadas.

ADVERTENCIA

- ▶ **Este manual contiene información importante de seguridad, rendimiento y mantenimiento.** Léalo antes de usar su nueva bicicleta y guárdelo a modo de referencia. Puede encontrar el manual también en línea en www.bosch-ebike.com.
- ▶ **Este manual está previsto para su lectura junto con el manual de usuario aparte que venía con su bicicleta.** Antes de usar la bici por primera vez, asegúrese de leer toda la documentación facilitada, incluidas las etiquetas que lleva el producto.

- ▶ **Lea TODOS los manuales incluidos antes de montar en la bicicleta por primera vez.** Su sistema de accionamiento de Bosch incluye manuales y documentación adicionales proporcionados por el fabricante de la bicicleta y de otros componentes. No leer o desconocer la información de seguridad puede provocar la muerte o lesiones graves.
- ▶ **Por su propia SEGURIDAD, sea responsable.** Si tiene dudas o no entiende algo, consúltelo con su distribuidor o con el fabricante de la bicicleta o del componente.
- ▶ **Algunos accesorios de la eBike pueden suponer un peligro de atragantamiento para los niños pequeños.** Mantenga esos accesorios alejados de los niños.

ATENCIÓN

- ▶ **El sistema de accionamiento de Bosch incrementa el peso de su bicicleta, que puede que no esté acostumbrado a levantar.** Evite las lesiones; utilice técnicas de elevación adecuadas.

Utilización de su Manual de usuario

Además de las funciones que se muestran aquí, es posible que se introduzcan modificaciones en el software para subsanar posibles fallos y ampliar sus funciones.

Gráficos

La bicicleta que se muestra en este manual puede diferir ligeramente de la suya; no obstante, las similitudes son suficientes para ayudarle a entender nuestras instrucciones.

Los lados DERECHO e IZQUIERDO se indican mirando en el sentido que la bicicleta tendrá al circular hacia delante. Si ve una línea discontinua (-----), el elemento al que se refiere está oculto a la vista.

Etiquetas de advertencia en el producto

A



⚠ WARNING No User Serviceable Parts, Do NOT Open

- Read and understand owner's manual before using



⚠ WARNING Avoid Serious Injury or Death

- Remove battery when using vehicle bike rack!
- Remove battery before performing bike inspection \ repair!



⚠ DANGER Explosion

- Do NOT expose above 140°F (60°C).
- Do NOT crush or puncture!



B



⚠ WARNING To reduce the risk of injury, explosion, or fire, user must read instruction manual. • Do not crush, puncture, disassemble, short terminals, or dispose in fire. • Do not use battery once it has been impacted, sustained water damage or visibly damaged. • Charge battery only with Bosch eBike chargers.

⚠ AVERTISSEMENT L'utilisateur doit lire le mode d'emploi pour réduire le risque de blessure, d'explosion ou d'incendie. • Ne pas écraser, perforer, démonter, court-circuiter les bornes ou jeter dans un feu. • Ne pas réutiliser la pile si elle a subi un choc, des dégâts causés par l'eau ou d'autres dommages visibles. • Ne charger la pile qu'avec un chargeur Bosch eBike.

⚠ ADVERTENCIA Para reducir el riesgo de lesiones, explosión o incendio, el usuario debe leer el manual de instrucciones. • No aplastar, perforar, desmontar, cortocircuitar los terminales ni desechar en un fuego. • No usar la batería una vez que haya recibido algún golpe, haya sufrido daños por agua o esté visiblemente dañada. • Cargar la batería solamente con cargadores Bosch eBike.

A Advertencias de seguridad, "PowerPack"

B Advertencias de seguridad, "PowerTube"

- ▶ Para la protección del usuario, se han colocado etiquetas de advertencia en el sistema eBike de Bosch. Lea y siga las instrucciones de las etiquetas del producto con atención. Si una etiqueta deja de ser legible o se despegá, póngase en contacto con su proveedor de bicicletas de Bosch para obtener otra de repuesto. Bosch proporciona etiquetas de seguridad de repuesto de forma gratuita.

Manejo de las baterías de litio

Indicaciones de seguridad para las baterías de Bosch para eBike



Lea y conozca todas las indicaciones de seguridad y las instrucciones.

No seguir las advertencias siguientes puede provocar la muerte o lesiones graves.

Guarde todas las indicaciones de seguridad e instrucciones para posibles consultas futuras.

El término “batería” empleado en este manual del usuario se refiere a todas las baterías para eBike originales de Bosch.

⚠ PELIGRO

- ▶ **No perforo ni rompa la batería. No golpee la batería ni la modifique en modo alguno.** No utilice la batería si se aprecian daños visibles. Existe riesgo de incendio o explosión que puede provocar la muerte o lesiones graves.



Proteja la batería del calor (p. ej., temperaturas > 140 °F), del fuego y de las inmersiones en agua. Peligro de explosión.

⚠ ADVERTENCIA

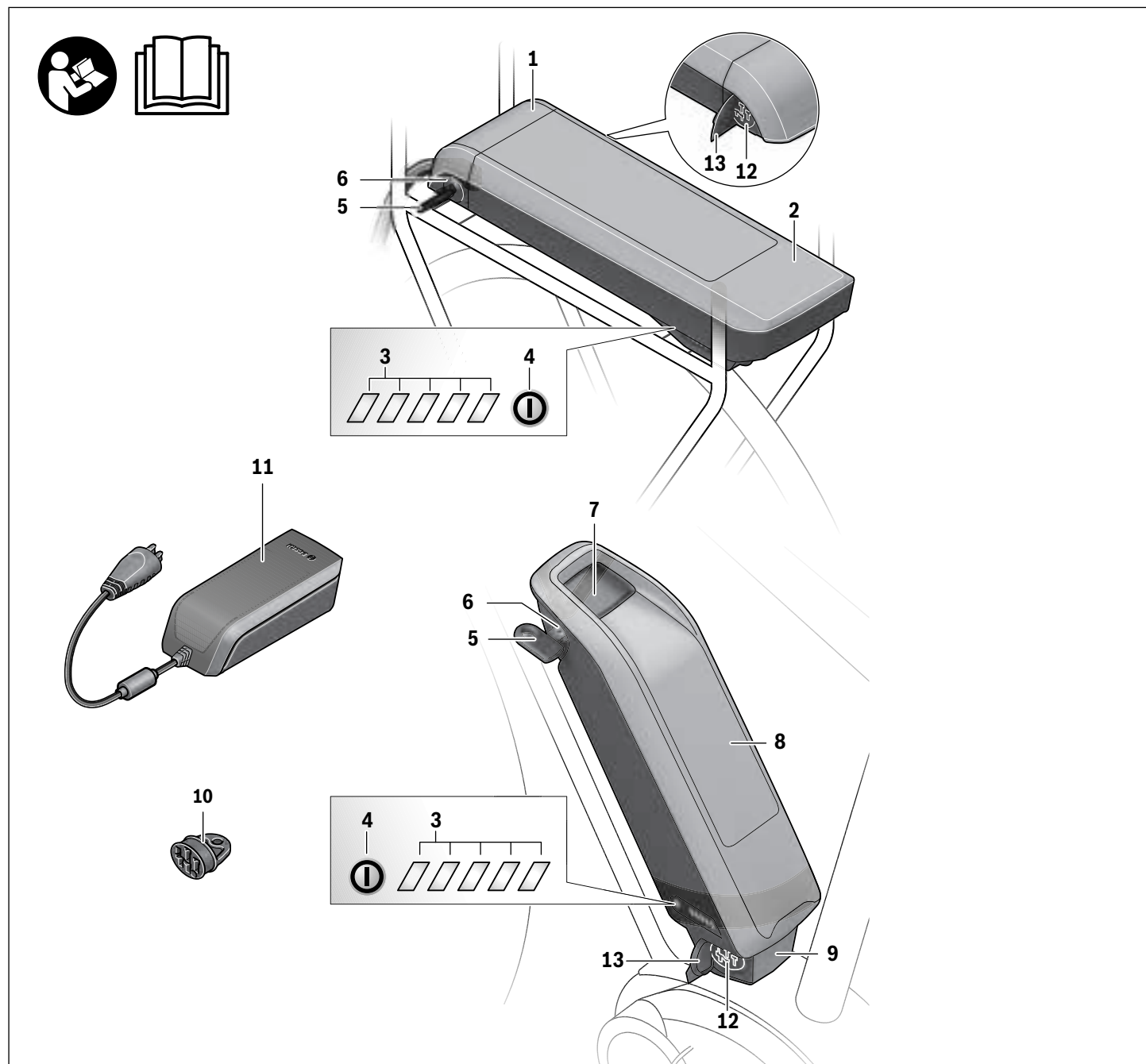
- ▶ **Utilice únicamente baterías originales de Bosch homologadas por el fabricante de su eBike y adquiridas en un punto de venta fiable.** El uso de baterías no homologadas o falsificadas puede causar la muerte o lesiones graves.
- ▶ **Extraiga la batería de la eBike antes de empezar cualquier trabajo en ella (p. ej., inspección, reparación, montaje, mantenimiento, trabajos en la cadena, etc.), de transportarlo en coche o en un avión o de almacenarlo.** Existe peligro de lesiones si se activa el sistema eBike de manera involuntaria.
- ▶ **No abra el acumulador.** De lo contrario, podría producirse un cortocircuito. Si se abre el acumulador se denegará la garantía.
- ▶ **Si no utiliza el acumulador, guárdelo separado de clips, monedas, llaves, clavos, tornillos o demás objetos metálicos que pudieran puentear sus contactos.** El cortocircuito de los contactos del acumulador puede causar quemaduras o un incendio. En los daños derivados de un cortocircuito por los motivos antedichos Bosch anula cualquier derecho a garantía.
- ▶ **Evite las cargas mecánicas o una exposición a calor fuerte,** ya que podrían dañar las celdas de batería y causar una fuga de componentes inflamables.
- ▶ **Mantenga el cargador y la batería alejados de cualquier material inflamable. Cargue las baterías siempre en lugares secos y protegidos contra incendios.** Existe riesgo de incendio si se produce un aumento de la temperatura durante la carga.
- ▶ **No debe dejarse cargando la batería de la eBike sin la debida vigilancia.**
- ▶ **La utilización inadecuada del acumulador puede provocar fugas de líquido. Evite el contacto con él. En caso de un contacto accidental enjuagar el área afectada con abundante agua. Si ha penetrado líquido en los ojos recurra además inmediatamente a un médico.** El líquido del acumulador puede irritar la piel o producir quemaduras.
- ▶ **Las baterías no deben someterse a impactos mecánicos.** Existe el riesgo de que la batería resulte dañada y se liberen gases, que pueden irritar el sistema respiratorio. En caso de exposición, respire aire fresco y solicite atención médica.
- ▶ **Si se daña la batería o se utiliza de forma indebida, pueden salir vapores. En tal caso, busque un entorno con aire fresco y acuda a un médico si nota molestias.** Los vapores pueden irritar las vías respiratorias.
- ▶ **Únicamente cargue el acumulador con cargadores originales Bosch.** Al utilizar cargadores que no sean originales Bosch no puede excluirse un peligro de incendio.

- ▶ **Únicamente utilice el acumulador en eBikes equipadas con el sistema motriz para eBikes original Bosch.** Solamente así queda protegido el acumulador contra una sobrecarga peligrosa.
- ▶ **Únicamente utilice acumuladores originales Bosch homologados por el fabricante de su eBike.** El uso de otro tipo de acumuladores puede acarrear lesiones e incluso un incendio. Si se aplican acumuladores de otro tipo Bosch declina cualquier responsabilidad y el derecho a garantía.
- ▶ **No utilice la batería del portaequipajes como asidero.** Si levanta la eBike por la batería, esta puede dañarse.
- ▶ **Lea y siga todas las indicaciones de seguridad e instrucciones de todos los manuales de uso del sistema eBike, así como las instrucciones de uso de su eBike.**
- ▶ **Mantenga el acumulador alejado de los niños.**

La seguridad de nuestros productos y de nuestros clientes es prioritaria para nosotros. Nuestras baterías son baterías de litio desarrolladas y fabricadas conforme a los últimos avances tecnológicos. Cumplimos las normas de seguridad pertinentes o incluso las superamos. En estado cargado, estas baterías de litio tienen un elevado contenido de energía. En caso de que hubiera un defecto (tal vez no detectable desde fuera), las baterías de litio pueden incendiarse muy raramente y en circunstancias adversas.

Al conectar la eBike a la Bosch DiagnosticTool, los datos se transmiten a los sistemas de Bosch eBike (Robert Bosch GmbH) con el objetivo de mejorar el producto a través del uso de los componentes de Bosch (p. ej., en cuanto a la temperatura, tensión celular, etc.). Puede obtener más información en el sitio web de Bosch eBike www.bosch-ebike.com.

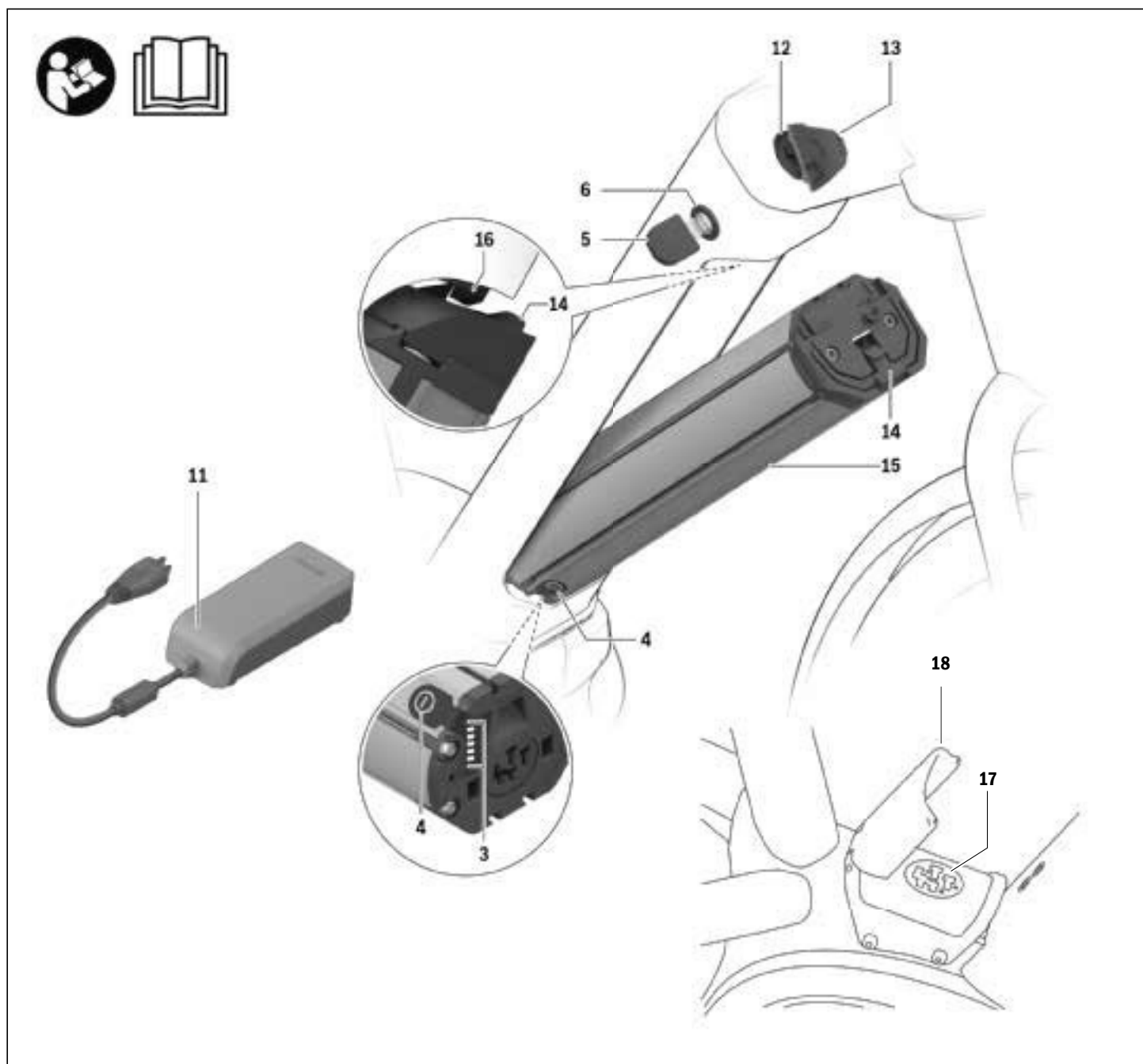
Descripción y prestaciones del producto



Componentes principales PowerPack

Todas las representaciones de los componentes de la bicicleta, a excepción de las baterías y sus soportes, se muestran de manera esquemática y pueden diferir de su eBike.

- 1 Soporte del acumulador para portaequipajes
- 2 Acumulador para portaequipajes
- 3 Indicador de funcionamiento y estado de carga
- 4 Tecla de conexión/desconexión
- 5 Llave de la cerradura del acumulador
- 6 Cerradura del acumulador
- 7 Soporte superior del acumulador estándar
- 8 Acumulador estándar
- 9 Soporte inferior del acumulador estándar
- 10 Tapa (suministrado solo con eBikes de 2 baterías)
- 11 Cargador
- 12 Conector hembra para el cargador
- 13 Tapa de conector de carga



Componentes principales PowerTube

Todas las representaciones de los componentes de la bicicleta, a excepción de las baterías y sus soportes, se muestran de manera esquemática y pueden diferir de su eBike.

- 3** Indicador de funcionamiento y estado de carga
- 4** Tecla de conexión/desconexión
- 5** Llave de la cerradura del acumulador
- 6** Cerradura del acumulador
- 11** Cargador
- 12** Conector hembra para el cargador
- 13** Tapa de conector de carga
- 14** Fijación de retención PowerTube
- 15** Batería PowerTube
- 16** Gancho de bloqueo PowerTube
- 17** Conector hembra para el cargador
- 18** Tapa de conector de carga

Datos técnicos

Acumulador de Iones de Litio		PowerPack 400	PowerPack 500	PowerTube 500
Código de producto		BBS261/BBS266 ^{S)} BBR261/BBR266 ^{R)}	BBS271/BBS276 ^{S)} BBR271/BBR276 ^{R)}	BBP280 – horizontal BBP281 – vertical
Tensión nominal	V=	36	36	36
Capacidad nominal	Ah	11	13,4	13,4
Energía	Wh	400	500	500
Temperatura de operación	°F	+23... +104	+23... +104	+23... +104
Temperatura de almacenamiento	°F	+14... +140	+14... +140	+14... +140
Margen admisible de la temperatura de carga	°F	+32... +104	+32... +104	+32... +104
Peso, aprox.	lb	5,5/5,7	5,7/6,0	6,2
Grado de protección		IP 54 (protección contra polvo y salpicaduras de agua)	IP 54 (protección contra polvo y salpicaduras de agua)	IP 54 (protección contra polvo y salpicaduras de agua)

S) Acumulador estándar

R) Acumulador para portaequipajes

Este dispositivo es conforme a la parte 15 de la normativa FCC. El funcionamiento está sujeto a estas dos condiciones:

(1) este dispositivo no debe emitir interferencias perjudiciales y

(2) este dispositivo debe aceptar cualquier interferencia recibida, incluidas aquellas que puedan provocar un funcionamiento incorrecto.

Este dispositivo es conforme a CAN ICES-3(B)/NM B-3(B).

Montaje

- **Únicamente deposite el acumulador sobre superficies limpias.** Ponga especial cuidado de no ensuciar el conector hembra para carga ni los contactos con arena o tierra, p. ej.

Control del acumulador antes del primer uso

Compruebe el acumulador antes de cargarlo o utilizarlo por primera vez en su eBike.

Para ello conecte el acumulador pulsando la tecla de Conexión/desconexión **4**. Si no se enciende ningún LED del indicador de estado de carga **3**, es probable que el acumulador esté dañado.

Si se enciende uno o algunos de los LED (pero no todos ellos) del indicador de estado de carga **3** recargue completamente el acumulador antes de su primer uso.

- **No recargue ni utilice un acumulador dañado.** Diríjase a una tienda de bicicletas autorizada.

Recarga del acumulador

- **Únicamente use el cargador que se suministra con su eBike u otro original Bosch del mismo tipo.** Solamente este cargador ha sido especialmente adaptado al acumulador de iones de litio empleado en su eBike.

Observación: El acumulador se suministra parcialmente cargado. Con el fin de obtener la plena potencia del acumulador, antes de su primer uso, cárguelo completamente con el cargador.

Lea y atégase a las instrucciones de uso del cargador al cargar el acumulador.

La batería puede cargarse en cualquier estado de carga. La interrupción del proceso de carga no daña el acumulador.

El acumulador viene equipado con un control de temperatura que únicamente permite su recarga dentro de un margen de temperatura entre 32 °F y 104 °F.



Si el acumulador se encuentra fuera del margen de la temperatura de carga parpadean tres LED del indicador de estado de carga **3**. Desconecte el acumulador del cargador y permita que alcance la temperatura correcta.

- **ATENCIÓN: no conecte la batería al cargador hasta que haya alcanzado la temperatura de carga permitida.**

Indicador de estado de carga

El nivel de carga del acumulador se señala mediante los cinco LED verdes del indicador de carga **3**.

Cada uno de los LED corresponde por lo tanto a una capacidad aprox. de 20 %. Si el acumulador está completamente cargado se encienden los cinco LED.

Adicionalmente se muestra el estado de carga de la batería conectada en la pantalla del ordenador de a bordo. Para ello lea y atégase a las instrucciones de uso del motor y del ordenador de a bordo.

Si la capacidad de la batería se encuentra por debajo del 5 %, en la batería se apagan todos los LED del indicador del estado de carga **3**, pero se mantiene la función de indicación del ordenador de a bordo.

Después de la carga, desconecte la batería del cargador y el cargador de la red.

Uso de dos baterías para una eBike (opcional)

La eBike también puede encargarse equipada con dos baterías de fábrica. En este caso, uno de los conectores hembra de carga no estará disponible o se encontrará cubierto de fábrica con una capucha de cierre. Cargue las baterías solo a través del conector de carga disponible.

► **No abra nunca el conector de carga cerrado por el fabricante.** La carga a través de un conector previamente cerrado puede provocar daños irreparables.

Si desea utilizar con una sola batería una eBike prevista para funcionar con dos, cubra los contactos del conector libre con la caperuza de cubierta **10** suministrada, ya que, de lo contrario, podría producirse un cortocircuito a través de los contactos abiertos.

Ciclo de carga con dos baterías instaladas

Si la eBike dispone de dos baterías instaladas, pueden cargarse las dos a través de la conexión que no ha sido cerrada. En primer lugar, las baterías se cargarán una tras otra hasta aproximadamente el 80 – 90 %. A continuación, las dos baterías se cargarán de forma paralela hasta el 100 % (los LED de ambas baterías parpadean).

Durante la marcha, las baterías se descargan de manera alterna.

Si extrae las baterías de sus soportes, podrá cargar cada batería por separado.

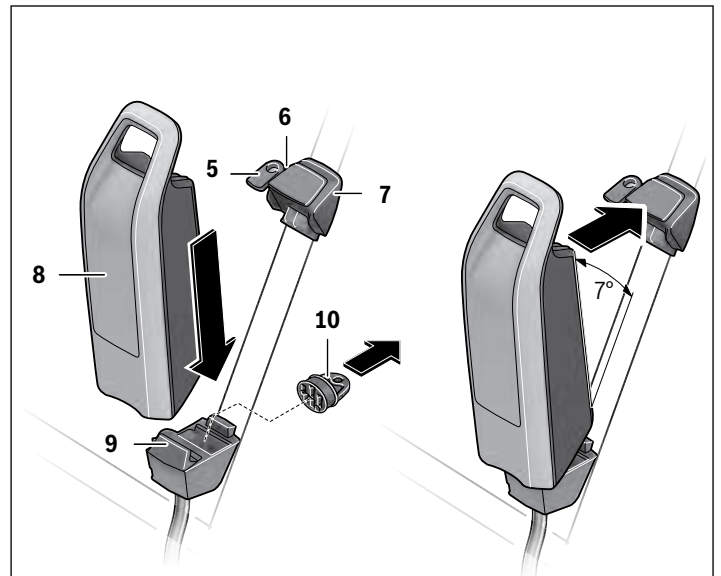
Ciclo de carga con solo una batería instalada

Si solo hay una batería instalada, puede cargar solo la que esté montada en la bicicleta, aquella cuyo conector esté disponible. Para cargar la batería que tiene el conector cerrado, será necesario extraerla del soporte.

Colocar y retirar la batería

► **Desconecte siempre la batería y el sistema eBike para montar o retirar la batería del soporte.**

Colocar y retirar una batería estándar



Para poder montar el acumulador es necesario que la llave **5** esté metida en la cerradura **6** y que ésta esté abierta.

Para **insertar el acumulador estándar 8**, colóquelo con los contactos sobre el soporte inferior **9** de la eBike (el acumulador puede inclinarse hasta 7° respecto al marco). Inclínelo hasta el tope en el soporte superior **7**.

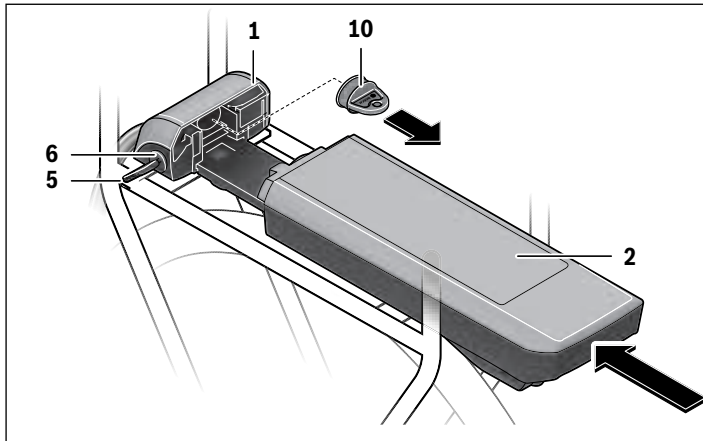
► **Compruebe siempre que la batería esté asegurada en su sitio.** Para ello, tire de la batería (después de extraer la llave).

Controle si ha quedado firmemente sujeto el acumulador. Siempre cierre el acumulador con la cerradura **6** para evitar que el acumulador se salga del soporte.

Saque siempre la llave **5** de la cerradura **6** después de cerrarla. Así evitará que se pierda la llave, o que al tener estacionada la eBike le sea sustraído el acumulador.

Para **extraer el acumulador estándar 8**, apáguelo y abra el cierre con la llave **5**. Incline el acumulador con respecto al soporte superior **7** y tire de él para extraerlo del soporte inferior **9**.

Colocar y retirar una batería de portaequipajes



Para poder montar el acumulador es necesario que la llave **5** esté metida en la cerradura **6** y que ésta esté abierta.

Para **montar el acumulador para portaequipajes 2** empújelo con los contactos mirando hacia el frente hasta enclavarlo en el soporte **1** del portaequipajes.

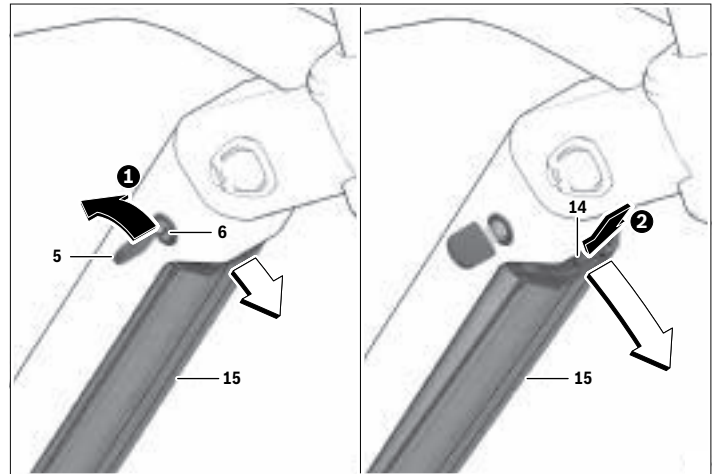
► **Compruebe siempre que la batería esté asegurada en su sitio.** Para ello, tire de la batería (después de extraer la llave).

Controle si ha quedado firmemente sujeto el acumulador. Siempre cierre el acumulador con la cerradura **6** para evitar que el acumulador se salga del soporte.

Saque siempre la llave **5** de la cerradura **6** después de cerrarla. Así evitará que se pierda la llave, o que al tener estacionada la eBike le sea sustraído el acumulador.

Para **desmontar el acumulador para portaequipajes 2** desconéctelo primero y abra entonces la cerradura con la llave **5**. Tire del acumulador para sacarlo del soporte **1**.

Retirar una batería PowerTube

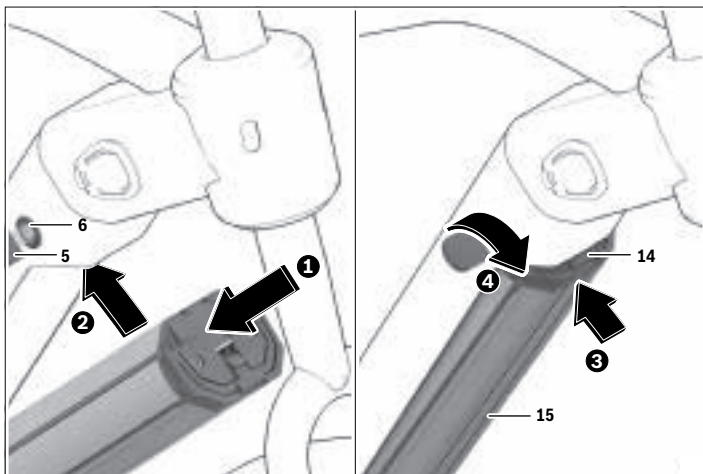


❶ Para retirar la batería PowerTube **15**, abra la cerradura **6** con la llave **5**. La batería se desbloqueará y quedará sujeta en la fijación de retención **14**.

❷ Si presiona la fijación de retención desde arriba, la batería se desbloqueará por completo y caerá en su mano. Extraiga la batería del cuadro.

Observación: Debido a diseños constructivos **distintos**, puede suceder que la batería PowerTube se deba colocar y retirar de otra manera. En ese caso consulte la documentación de la bicicleta facilitada por el fabricante en cuestión.

Colocar una batería PowerTube



Para poder montar el acumulador es necesario que la llave **5** esté metida en la cerradura **6** y que ésta esté abierta.

- ➊ Para colocar la batería PowerTube **15**, póngala con los contactos en el soporte inferior del marco.
 - ➋ Mueva la batería hacia arriba hasta que quede sujeta en la fijación de retención **14**.
 - ➌ Presione la batería hacia arriba hasta que encaje con un sonido audible. Compruebe que la batería esté bien fijada.
 - ➍ Cierre siempre la batería en la cerradura **6** para evitar que la cerradura se abra y la batería pueda caer del soporte.
- **Compruebe siempre que la batería esté asegurada en su sitio.** Para ello, tire de la batería (después de extraer la llave).

Saque siempre la llave **5** de la cerradura **6** después de cerrarla. Así evitará que se pierda la llave, o que al tener estacionada la eBike le sea sustraído el acumulador.

Operación

Puesta en marcha

- **Utilice únicamente baterías originales de Bosch homologadas por el fabricante de su eBike y adquiridas en un punto de venta fiable.** El uso de baterías no homologadas o falsificadas puede causar la muerte o lesiones graves.

Conexión/desconexión

Una de las opciones para conectar el sistema eBike es conectando la batería. Para ello lea y atégase a las instrucciones de uso del motor y del ordenador de a bordo.

Antes de conectar el acumulador o el sistema de la eBike asegúrese de que la cerradura **6** esté cerrada.

Para **conectar** el acumulador pulse la tecla de Conexión/desconexión **4**. Los LED de la pantalla **3** se iluminan e indican seguidamente el nivel de carga.

- **Compruebe siempre que la batería esté asegurada en su sitio.** Para ello, tire de la batería (después de extraer la llave).

Observación: Si la capacidad de la batería se encuentra por debajo del 5 %, en la batería se apagan todos los LED del indicador del estado de carga **3**. Solo se puede ver en el ordenador de a bordo si el sistema eBike está conectado o no.

Para **desconectar** el acumulador pulse nuevamente la tecla de Conexión/desconexión **4**. Los LED de la pantalla **3** se apagan. Con ello se desconecta asimismo el sistema de la eBike.

Si no hay una demanda de potencia del motor de la eBike durante aprox. 10 min (p. ej., porque la eBike está parada) y si no se pulsa ninguna tecla del ordenador de a bordo o de la unidad de mando, el sistema eBike y la batería se desconectan automáticamente para ahorrar energía.

El acumulador va protegido contra alta descarga, sobrecarga, sobretensión y cortocircuito por "Electronic Cell Protection (ECP) (Protección Electrónica de Celdas)". En esos casos, un circuito de protección se encarga de desconectar automáticamente el acumulador.



Si se detecta un daño en el acumulador parpadean los dos LED del indicador de estado de carga **3**. Diríjase en ese caso a una tienda de bicicletas autorizada.

Transporte

⚠ ADVERTENCIA

- ▶ **Extraiga siempre la batería de la bicicleta antes de transportarla en un portabicicletas sobre un vehículo.** No extraer la batería cuando se utiliza un portabicicletas sobre un vehículo puede causar la muerte o lesiones graves. La batería podría soltarse durante el transporte y causar un accidente a otros vehículos.
- ▶ **Utilice en todo caso un portabicicletas homologado y compatible cuando transporte su eBike. El sistema de accionamiento de Bosch incrementa el peso de la bicicleta.** Consulte el manual de su portabicicletas para asegurarse de que la eBike es compatible. Sobrecargar un portabicicletas puede causar la muerte o lesiones graves.
- ▶ **Utilice técnicas de elevación adecuadas, ya que las bicicletas eléctricas suelen ser más pesadas que las normales.**

Transporte únicamente baterías cuya carcasa esté intacta. Pegue los contactos abiertos y empaquete la batería de manera que no se mueva dentro del embalaje. Indique al servicio de paquetería que se trata de mercancía peligrosa. Observe también la normativa nacional aplicable. Compruebe siempre las normativas estatales y regionales antes de transportar sus baterías.

En todas las consultas referentes al transporte de los acumuladores diríjase a una tienda de bicicletas autorizada. En dichas tiendas puede Ud. adquirir también un embalaje de transporte apropiado.

Mantenimiento/limpieza

⚠ ADVERTENCIA

- ▶ **No abra ninguno de los componentes. El mantenimiento debe llevarse a cabo exclusivamente por parte de un distribuidor de eBike de Bosch autorizado.** El incumplimiento de la advertencia anterior puede causar la muerte o lesiones graves. Consulte su manual de la bicicleta o de aquellos componentes del sistema de accionamiento que no sean de Bosch.
- ▶ **Retire siempre la batería antes de realizar cualquier inspección, reparación o trabajo de mantenimiento en la bicicleta.** No retirar la batería antes de realizar cualquier inspección, reparación o trabajo de mantenimiento en la bicicleta puede causar la muerte o lesiones graves.

- ▶ **Si cambia la batería, adquiera únicamente baterías originales de Bosch en un punto de venta autorizado. Diríjase a su distribuidor de eBike de Bosch para adquirir recambios originales.**
- ▶ **Desconecte siempre la batería cuando la introduzca o extraiga del soporte.** Nunca intente introducir ni extraer la batería con la bicicleta en marcha.
- ▶ **No cargue ni utilice la eBike en lugares con una atmósfera potencialmente explosiva, como gasolineras, ni en zonas en las que el aire contenga productos químicos o partículas (como semillas, polvo o polvo de metales).** Obedezca todas las señales e instrucciones.
- ▶ **No sumerja los componentes eBike en el agua ni los limpie con una manguera a presión.** La batería de Bosch está diseñada para ser impermeable al agua de lluvia o a una limpieza con manguera sin presión.
- ▶ **Apunte el fabricante y el número de la llave.** Si pierde las llaves, diríjase a un distribuidor de eBike de Bosch autorizado. Facilite el nombre del fabricante y el número de la llave.
- ▶ **No pinte los componentes del sistema de accionamiento de Bosch, ya que eso podría causar un fallo temprano de los mismos.**

Servicio técnico y atención al cliente

En todas las consultas sobre el sistema de la eBike y sus componentes diríjase a una tienda de bicicletas autorizada. Las direcciones de tiendas de bicicletas autorizadas las encuentra en la página de internet www.bosch-ebike.com. Si su acumulador ya no funciona acuda por favor a una tienda de bicicletas autorizada.

Limpieza

- ▶ **No sumerja los componentes eBike en el agua ni los limpie con una manguera a presión.** La batería de Bosch está diseñada para ser impermeable al agua de lluvia o a una limpieza con manguera sin presión.

Mantenga limpios los componentes de su eBike, especialmente los contactos del acumulador y del respectivo soporte.

Todos los componentes inclusive la unidad motriz no deberán sumergirse en agua ni tratarse con una limpiadora de alta presión. Límpielos con un paño suave y húmedo (utilice únicamente jabón neutro y agua).

Almacenamiento

Indicaciones para el trato óptimo del acumulador

La vida útil del acumulador puede prolongarse si éste se trata apropiadamente y ante todo si se almacena respetando el margen de temperatura prescrito.

Aún así, a medida que va envejeciendo el acumulador, su capacidad irá mermando.

Un periodo de funcionamiento significativamente reducido después de una carga indica que la batería está agotada y debe sustituirse. Puede sustituirla adquiriendo una Power-Pack original de Bosch en un distribuidor de eBike de Bosch autorizado.

Recarga del acumulador antes y durante su almacenaje

Si pretende no utilizar el acumulador durante largo tiempo (>3 meses), almacenelo entre un 30 % y un 60 % de nivel de carga (deberán estar encendidos 2 a 3 LED del indicador de estado de carga **3**).

Controle el nivel de carga pasados 6 meses. Si sólo se enciende un LED del indicador de estado de carga **3** vuelva a recargar el acumulador a aprox. 30 % – 60 %.

Observación: Si el acumulador se guarda durante largo tiempo estando descargado, a pesar de su baja autodescarga, éste puede llegar a dañarse y reducirse considerablemente su capacidad.

No se recomienda dejar permanentemente conectado el acumulador al cargador.

Condiciones para el almacenaje

Se aconseja guardar el acumulador en un lugar seco y bien ventilado. Protéjalo de la humedad y del agua. Si las condiciones atmosféricas son adversas se recomienda, p. ej., desmontar el acumulador de la eBike y guardarlo hasta su próxima utilización en un recinto cerrado.

Guarde las baterías para eBike en los lugares siguientes:




- en estancias con detector de humos
- alejadas de objetos combustibles o fácilmente inflamables
- alejadas de fuentes de calor

Guarde las baterías a una temperatura entre 32 °F y 68 °F. Por norma general deben evitarse las temperaturas inferiores a 14 °C o superiores a 140 °F. Para que la batería tenga una vida útil prolongada, es conveniente almacenarla a una temperatura ambiente de aprox. 68 °F.

Preste atención a no rebasar la temperatura de almacenaje máxima. P. ej., no deje el acumulador en el coche en verano y guárdelo de manera que no quede directamente expuesto al sol.

Se recomienda no dejar el acumulador en la bicicleta cuando se vaya a almacenar.

Localización y solución de averías

Causa	Solución
 Acumulador defectuoso	Parpadeo de dos LED del acumulador Acuda a una tienda de bicicletas autorizada
 Acumulador demasiado caliente o frío	Parpadeo de tres LED del acumulador Desconectar el acumulador del cargador hasta que se alcance el rango de temperatura de carga. No conecte de nuevo el acumulador al cargador hasta que haya alcanzado la temperatura de carga correcta.
 El cargador no carga.	No parpadea ningún LED (en función del estado de carga de la batería de la eBike se iluminan permanentemente uno o varios LED). Acuda a una tienda de bicicletas autorizada
No es posible cargar (ninguna indicación en el acumulador)	
Enchufe incorrectamente introducido	Verificar todas las conexiones por enchufe
Contactos del acumulador, sucios	Limpiar con cuidado los contactos del acumulador
Toma de corriente, cable o cargador defectuoso	Verificar la tensión de red, dejar comprobar el cargador en la tienda de bicicletas
Acumulador defectuoso	Acuda a una tienda de bicicletas autorizada

Programa de reciclaje de baterías

Advertencias generales

Eliminación



La unidad de accionamiento, el ordenador de a bordo incl. la unidad de mando, la batería, el sensor de velocidad, los accesorios y los embalajes deberían reciclarse de forma respetuosa con el medio ambiente.

¡No arroje las eBike ni sus componentes a la basura!

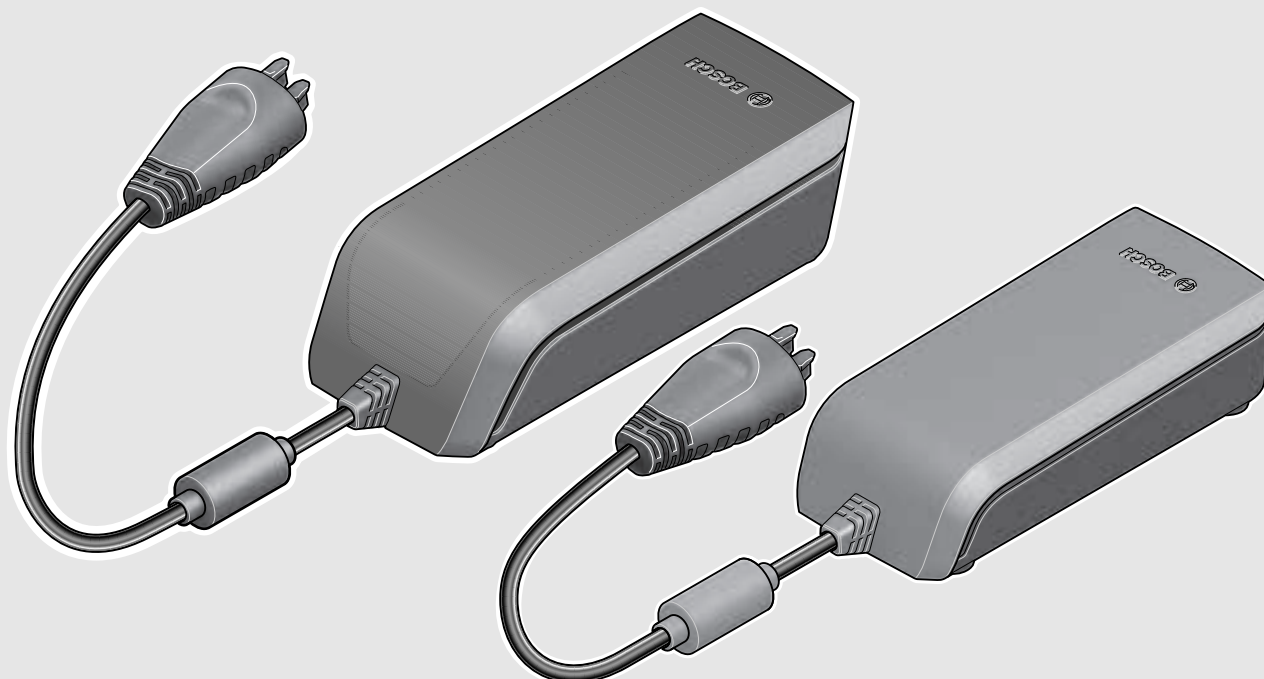
Antes de eliminar las baterías, proteja los contactos de los polos de las mismas con cinta adhesiva.

No toque con las manos desnudas una batería para eBike dañada, ya que puede haber una fuga de electrolito que puede causar irritaciones cutáneas. Conserve la batería en un lugar seguro en el exterior. Si fuera necesario, ponga cinta adhesiva en los polos e informe a su distribuidor. Este le ayudará a eliminar correctamente la batería.



Puede reciclar su batería de Bosch llamando al 1.800.822.8837.

Performance Line



Owner's Manual – The Bosch Drive System Charger

BCS210: 0 275 007 906 | BCS230: 0 275 007 915



BOSCH

es Manual original



Este manual contiene información importante de seguridad, rendimiento y mantenimiento. Léalo y asegúrese de entenderlo junto con la información que le ha facilitado el fabricante de su bicicleta antes de usar el producto; guárdelo a modo de referencia.



Introducción

¡Gracias por adquirir una bicicleta equipada con el sistema de accionamiento de Bosch!

El equipo eBike Systems de Bosch le aprecia como cliente y le desea muchos años de satisfacción y seguridad con el uso de su bicicleta.

Advertencias generales



Lea íntegramente todas las indicaciones de seguridad e instrucciones. No seguir las advertencias e instrucciones siguientes puede provocar la muerte o lesiones graves.

Guarde todas las indicaciones de seguridad e instrucciones para posibles consultas futuras.

El término “batería” empleado en este manual del usuario se refiere a todas las baterías para eBike originales de Bosch.

Acerca de las advertencias

Este manual contiene muchos avisos de “**PELIGRO**”, “**ADVERTENCIA**” y “**ATENCIÓN**” relativos a las consecuencias de no utilizar, montar, mantener, almacenar, revisar y desecharse de manera segura una eBike equipada de Bosch.

La combinación del símbolo de advertencia de seguridad y la palabra “**PELIGRO**” indica una situación peligrosa que, de no evitarse, **causará** la muerte o lesiones graves.

La combinación del símbolo de advertencia de seguridad y la palabra “**ADVERTENCIA**” indica una situación peligrosa que, de no evitarse, **podría causar** la muerte o lesiones graves.

La combinación del símbolo de advertencia de seguridad y la palabra “**ATENCIÓN**” indica una situación peligrosa que, de no evitarse, podría causar lesiones leves o moderadas.

ADVERTENCIA

- ▶ **Este manual contiene información importante de seguridad, rendimiento y mantenimiento.** Léalo antes de usar su nueva bicicleta y guárdelo a modo de referencia. Puede encontrar el manual también en línea en www.bosch-ebike.com.
- ▶ **Este manual está previsto para su lectura junto con el manual de usuario aparte que venía con su bicicleta.** Antes de usar la bici por primera vez, asegúrese de leer toda la documentación facilitada, incluidas las etiquetas que lleva el producto.

- ▶ **Lea TODOS los manuales incluidos antes de montar en la bicicleta por primera vez.** Su sistema de accionamiento de Bosch incluye manuales y documentación adicionales proporcionados por el fabricante de la bicicleta y de otros componentes. No leer o desconocer la información de seguridad puede provocar la muerte o lesiones graves.
- ▶ **Por su propia SEGURIDAD, sea responsable.** Si tiene dudas o no entiende algo, consúltelo con su distribuidor o con el fabricante de la bicicleta o del componente.
- ▶ **Algunos accesorios de la eBike pueden suponer un peligro de atragantamiento para los niños pequeños.** Mantenga esos accesorios alejados de los niños.

ATENCIÓN

- ▶ **El sistema de accionamiento de Bosch incrementa el peso de su bicicleta, que puede que no esté acostumbrado a levantar.** Evite las lesiones; utilice técnicas de elevación adecuadas.

Utilización de su Manual de usuario

Además de las funciones que se muestran aquí, es posible que se introduzcan modificaciones en el software para subsanar posibles fallos y ampliar sus funciones.

Gráficos

La bicicleta que se muestra en este manual puede diferir ligeramente de la suya; no obstante, las similitudes son suficientes para ayudarle a entender nuestras instrucciones. Los lados DERECHO e IZQUIERDO se indican mirando en el sentido que la bicicleta tendrá al circular hacia delante. Si ve una línea discontinua (-----), el elemento al que se refiere está oculto a la vista.

Etiquetas de advertencia en el producto

A

eBike Battery Charger 36-4/100-230
0 275 007 906
 Input: 100V - 230V ~ 50-60Hz 2.2A
 Output: 36V --- 4A
 Made in PRC
 Robert Bosch GmbH, Reutlingen

This device complies with part 15 of the FCC Rules. Operation is subject to the following two conditions: (1) This device may not cause harmful interference, and (2) this device must accept any interference received, including interference that may cause undesired operation.

⚠ WARNING For safe operation see manual. Risk of electric shock. Dry location use only. Charge only batteries of the Bosch eBike Systems. Other batteries may burst causing personal damage. Do not replace the plug assembly as risk of fire or electric shock may result.

⚠ ADVERTENCIA Para un funcionamiento con seguridad, ver el manual Peligro de sacudida eléctrica. Utilice solamente en lugares secos. Cargar únicamente baterías de sistemas eBike de Bosch. Otras baterías podrían reventar, causando lesiones personales y daños. No reemplace el ensamblaje del enchufe, ya que el resultado puede ser riesgo de incendio o sacudidas eléctricas.

⚠ AVERTISSEMENT Pour un fonctionnement sûr, reportez-vous au manuel. Risque de choc électrique. Utiliser en lieu sec uniquement. A utiliser uniquement avec les batteries des systèmes d'assistance électrique eBike de Bosch. D'autres batteries risqueraient d'éclater et de causer des blessures corporelles et des dommages. Ne pas remplacer la connectique car un risque d'incendie ou de choc électrique pourrait en résulter.

BPF
 CE
 UL US LISTED BATTERY CHARGER E472024
 BC
 SI

B

eBike Battery Charger 36-2/100-240
0 275 007 915 Compact Charger
 Input: 100-240V ~ 50/60Hz 1.6A
 Output: 36V --- 2A
 Made in PRC
 Robert BOSCH GmbH, Reutlingen

This device complies with part 15 of the FCC Rules. Operation is subject to the following two conditions: (1) This device may not cause harmful interference, and (2) this device must accept any interference received, including interference that may cause undesired operation.

⚠ WARNING For safe operation see manual. Risk of electric shock. Indoor use only. Charge only batteries of the Bosch eBike Systems. Other batteries may burst causing personal damage. Do not replace the plug assembly as risk of fire or electric shock may result.

⚠ ADVERTENCIA Para un funcionamiento con seguridad, ver el manual Peligro de sacudida eléctrica. Utilice solamente en lugares secos. Cargar únicamente baterías de sistemas eBike de Bosch. Otras baterías podrían reventar, causando lesiones personales y daños. No reemplace el ensamblaje del enchufe, ya que el resultado puede ser riesgo de incendio o sacudidas eléctricas.

⚠ AVERTISSEMENT Pour un fonctionnement sûr, reportez-vous au manuel. Risque de choc électrique. Utiliser en lieu sec uniquement. A utiliser uniquement avec les batteries des systèmes d'assistance électrique eBike de Bosch. D'autres batteries risqueraient d'éclater et de causer des blessures corporelles et des dommages. Ne pas remplacer la connectique car un risque d'incendie ou de choc électrique pourrait en résulter.

BPF
 CE
 UL US
 BATTERY CHARGER E000000
 BC
 SI

Li-Ion USE ONLY with BOSCH Li-Ion batteries

A Wide range charger

B Compact charger

En la cara inferior del cargador hay una versión resumida de las advertencias importantes relativas a la seguridad en inglés, francés y español con el siguiente contenido (señalada con el número **4** en el dibujo de la página de ilustraciones):

- Consulte el manual para usar el producto de manera segura.
- Riesgo de descarga eléctrica.
- Solo para uso en interiores.
- Solo para cargar baterías de Bosch eBike Systems. Otras baterías podrían explotar y provocar daños o lesiones.
- No debe sustituirse la pieza de la clavija, ya que podría suponer un riesgo de incendio o descarga eléctrica.

Uso del cargador “Charger”

Instrucciones de seguridad

INSTRUCCIONES IMPORTANTES RELATIVAS A LA SEGURIDAD

CONSERVE ESTAS INSTRUCCIONES –

Este manual incluye instrucciones importantes relativas a la seguridad y el funcionamiento de este cargador de batería.

- ▶ **Antes de usar el cargador de batería, lea todas las instrucciones y advertencias del cargador, la batería y el producto que funcionará con la batería.**
- ▶ **ATENCIÓN:** Para reducir el riesgo de lesiones, cargue únicamente baterías de Bosch eBike Systems. Otros tipos de baterías podrían explotar y provocar daños y lesiones personales.



Lea y conozca todas las indicaciones de seguridad y las instrucciones.

No seguir las advertencias siguientes puede provocar la muerte o lesiones graves.

Guarde todas las indicaciones de seguridad e instrucciones para posibles consultas futuras.

El término “batería” empleado en este manual del usuario se refiere a todas las baterías para eBike originales de Bosch.

⚠ PELIGRO

- ▶ **Solamente cargue acumuladores de iones de litio Bosch homologados para eBikes. La tensión del acumulador deberá corresponder a la tensión de carga del cargador.** En caso de no atenderse a ello podría originarse un incendio o explosión.



No exponga el cargador a la lluvia y evite que penetren líquidos en su interior. La penetración de agua en el cargador comporta un mayor riesgo de electrocución.

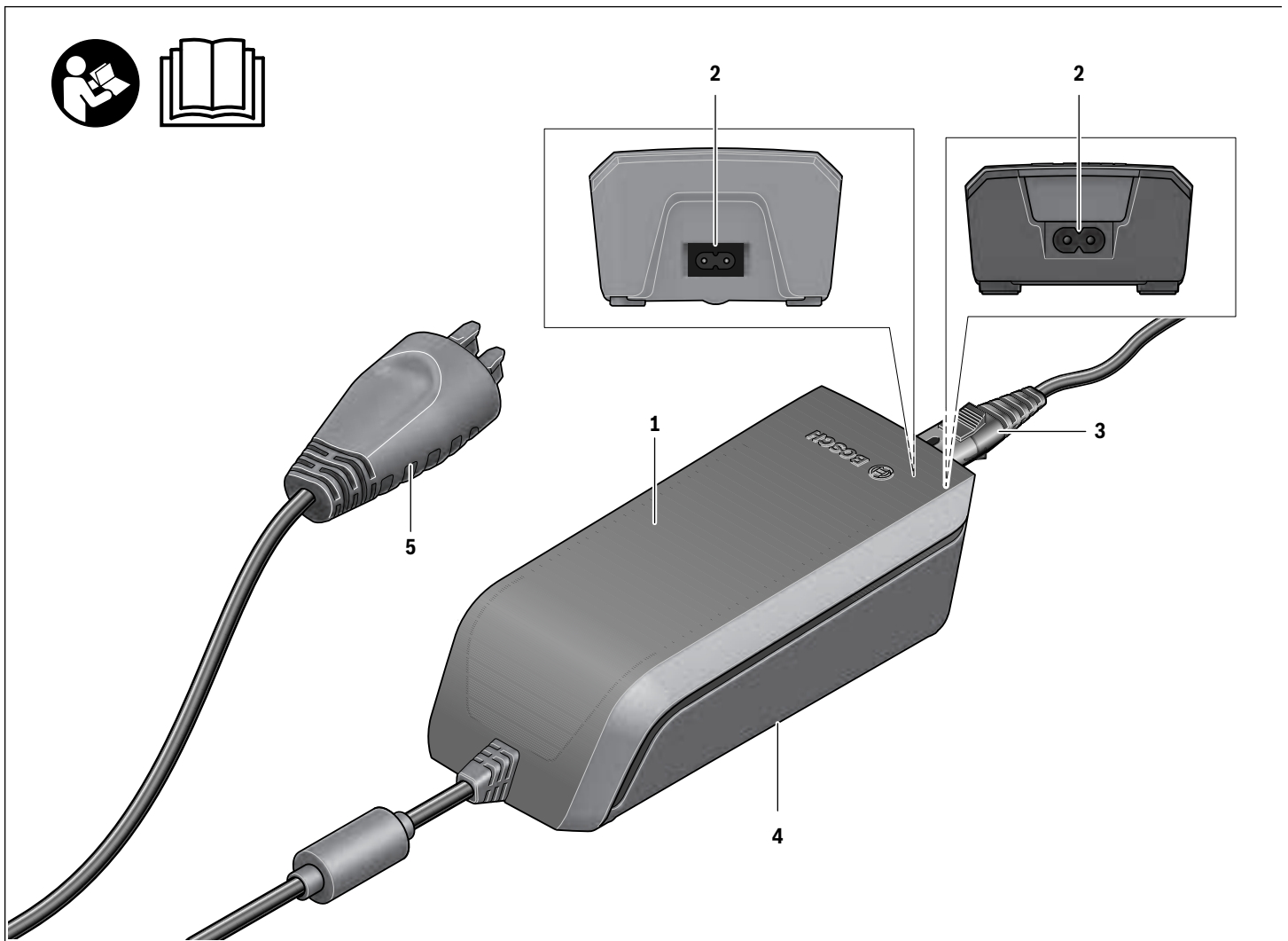
⚠ ADVERTENCIA

- ▶ **Utilice únicamente el cargador original de Bosch suministrado con su eBike o uno homologado por el fabricante de su eBike y adquirido en un punto de venta fiable.** Adaptar o usar un cargador de batería no homologado o falsificado puede causar la muerte o lesiones graves.
- ▶ **Mantenga el cargador limpio.** La contaminación puede conllevar riesgo de sufrir una descarga eléctrica. Límpielo únicamente con un paño húmedo (jabón neutro/agua).
- ▶ **Antes de cada uso, compruebe el cargador, el cable y el enchufe. No utilice el cargador si detecta que está dañado. No abra el cargador.** Los cargadores, cables y enchufes que estén dañados aumentan el riesgo de descarga eléctrica.
- ▶ **No utilice el cargador sobre una base fácilmente inflamable (p. ej. papel, tela, etc.) ni en un entorno inflamable.** Puesto que el cargador se calienta durante el proceso de carga existe un peligro de incendio.
- ▶ **Tenga cuidado al tocar el cargador durante el proceso de carga. Utilice guantes de protección.** El cargador puede llegar a calentarse fuertemente, especialmente si la temperatura ambiente es alta.
- ▶ **Si se daña la batería o se utiliza de forma indebida, pueden salir vapores. En tal caso, busque un entorno con aire fresco y acuda a un médico si nota molestias.** Los vapores pueden irritar las vías respiratorias.
- ▶ **Mantenga el cargador y la batería alejados de cualquier material inflamable. Cargue las baterías siempre en lugares secos y protegidos contra incendios.** Existe riesgo de incendio si se produce un aumento de la temperatura durante la carga.
- ▶ **No debe dejarse cargando la batería de la eBike sin la debida vigilancia.**
- ▶ **Las baterías no deben someterse a impactos mecánicos.** Existe el riesgo de que la batería resulte dañada y se liberen gases, que pueden irritar el sistema respiratorio. En caso de exposición, respire aire fresco y solicite atención médica.
- ▶ **Mantenga el cargador alejado de los niños.** De esa manera se asegurará de que no jueguen con él.

► **Toda persona que, a causa de sus limitaciones psíquicas, sensoriales o físicas o de su falta de experiencia o conocimientos, no sea capaz de utilizar con seguridad el cargador, deberá hacerlo únicamente bajo supervisión o después de haber recibido instrucciones de una persona responsable.** En caso contrario, existe riesgo de causar errores de funcionamiento y de sufrir lesiones.

► **Lea y siga todas las indicaciones de seguridad e instrucciones de todos los manuales de uso del sistema eBike, así como las instrucciones de uso de su eBike.**

Descripción y prestaciones del producto



Componentes principales

- 1 Cargador
- 2 Conector hembra del aparato
- 3 Enchufe del aparato
- 4 Instrucciones de seguridad del cargador
- 5 Conector del cargador

Datos técnicos

Cargador		Wide Range Charger (36-4/100-230)	Compact Charger (36-2/100-240)
Nº de artículo		0 275 007 906	0 275 007 915
Tensión nominal	V~	90...264	90...264
Frecuencia	Hz	47...63	47...63
Tensión de carga del acumulador	V _{DC}	36	36
Corriente de carga	A	4	2
Tiempo de carga, aprox.			
– PowerPack 400	h	3,5	6,5
– PowerPack 500	h	4,5	7,5
Temperatura de operación	°F	+32...+104	+32...+104
Temperatura de almacenamiento	°F	+14...+122	+14...+122
Peso, aprox.	lb	1,8	1,3
Grado de protección		IP 40	IP 40

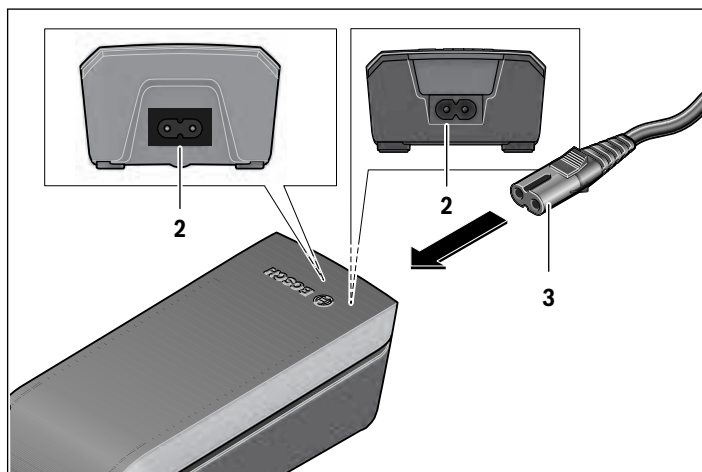
Cable de corriente

Nº de artículo		1 270 020 343
Tensión nominal – Cable	V~	300
Tensión nominal – Enchufe/Conector	V~	125
Corriente nominal		
– Enchufe/Conector	A	10
Material – Cable		PVC
Estándar de seguridad – Cable		UL62
Estándar de seguridad – Enchufe/Conector		UL817
Longitud aprox.	m	1,8

Operación

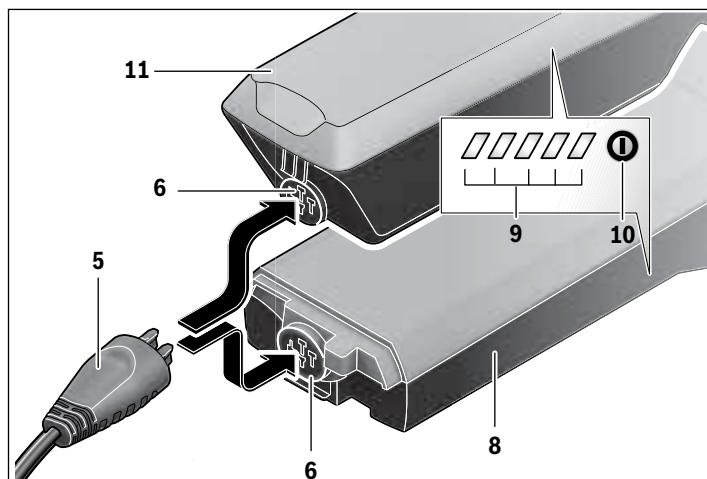
Puesta en marcha

Conexión del cargador a la red eléctrica



► **Tenga en cuenta la tensión de red.** La tensión del suministro eléctrico debe corresponderse con los datos facilitados en la placa de características del cargador. Introduzca el enchufe **3** del cable de red en el conector hembra **2** del cargador. Conecte el enchufe (específico de cada país) a la red. Únicamente debe usarse la conexión de entrada suministrada, es decir, un cable de alimentación CA estándar (**3** en la ilustración) cuando se conecte el producto a la red eléctrica doméstica.

Carga del acumulador extraído



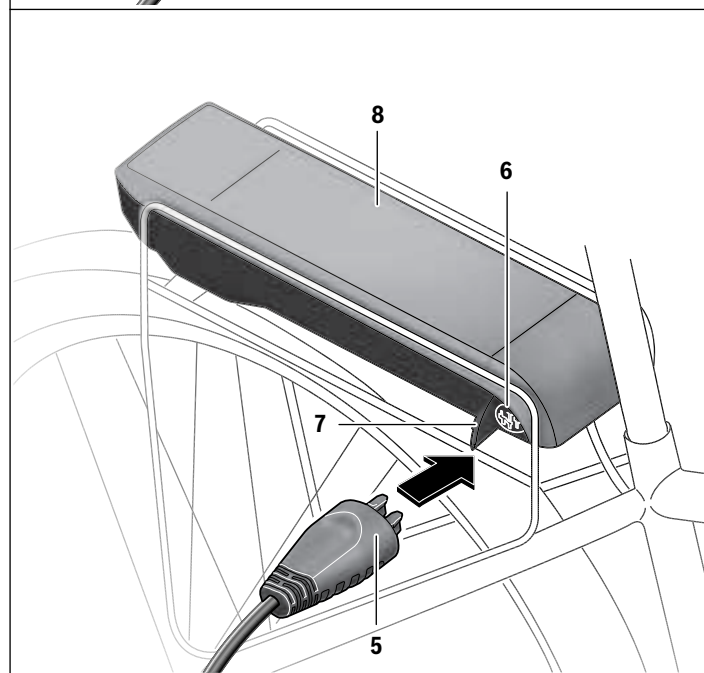
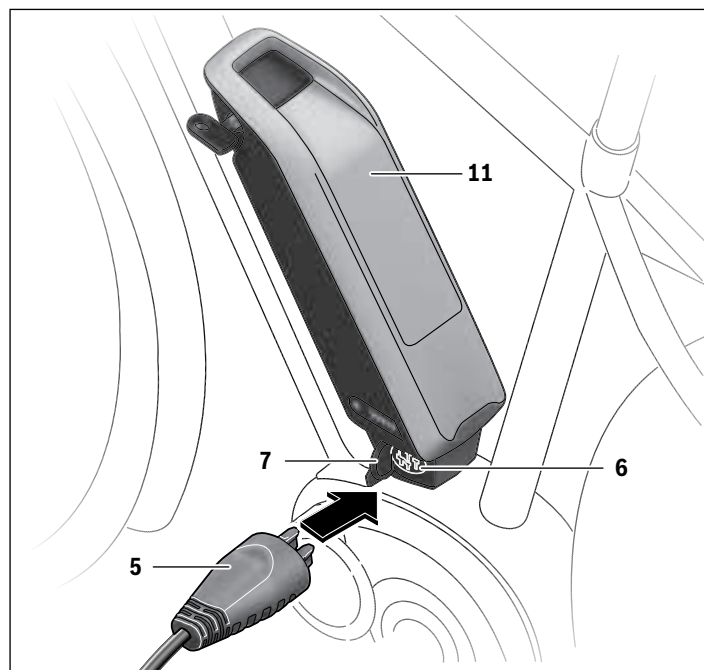
- 5 Conector del cargador
- 6 Conector hembra para el cargador
- 8 Acumulador para portaequipajes
- 9 Indicador de funcionamiento y estado de carga
- 10 Tecla de encendido/apagado del acumulador
- 11 Acumulador estándar

Desconecte el acumulador y desmóntelo del soporte de la eBike. Para ello lea y atégase a las instrucciones de uso del acumulador.

► **Únicamente deposite el acumulador sobre superficies limpias.** Ponga especial cuidado de no ensuciar el conector hembra para carga ni los contactos con arena o tierra, p. ej.

Conecte el conector macho **5** del cargador al conector hembra **6** del acumulador.

Carga del acumulador en la bicicleta



Apague el acumulador. Limpie la cubierta del conector hembra para carga **7**. Ponga especial cuidado de no ensuciar el conector hembra para carga ni los contactos con arena o tierra, p. ej. Levante la cubierta del conector hembra para carga **7** y conecte el conector macho del cargador **5** al conector hembra para carga **6**.

► **Cargue el acumulador teniendo en cuenta todas las indicaciones de seguridad.** Si esto no fuese posible, extraiga el acumulador del soporte y cárguelo en un lugar más apropiado. Para ello lea y atégase a las instrucciones de uso del acumulador.

Ciclo de carga con dos baterías instaladas

Si la eBike dispone de dos baterías instaladas, pueden cargarse las dos a través de la conexión que no ha sido cerrada. Durante el ciclo de carga, se cargan ambas baterías de manera alterna, conmutando automáticamente entre las dos varias veces. Los tiempos de carga se suman.

Durante la marcha, las baterías también se descargan de manera alterna.

Si extrae las baterías de sus soportes, podrá cargar cada batería por separado.

Proceso de carga

El proceso de carga comienza en cuanto el cargador está conectado con el acumulador o con el conector hembra para carga en la bicicleta y con la red eléctrica.

Observación: Solo puede realizarse la carga, si la temperatura de la batería de la eBike se encuentra en el rango de temperatura de carga permitido.

Observación: Durante el proceso de carga se desactiva la unidad de accionamiento.

Es posible cargar la batería con y sin ordenador de a bordo. Sin ordenador de a bordo, el proceso de carga puede observarse mediante el indicador del estado de carga de la batería.

Con un ordenador de a bordo conectado, aparecerá el mensaje correspondiente en la pantalla.

El estado de carga se indica mediante el indicador del estado de carga del acumulador **9** y mediante barras en el ordenador de a bordo.

Durante la carga se encienden los LED del indicador de estado de carga **9** del acumulador. Cada LED permanentemente encendido supone un incremento de capacidad aprox. de un 20 %. El LED parpadeante señala la carga del 20 % siguiente.

Cuando la batería de la eBike está cargado por completo, los LED se apagan de inmediato y el ordenador de a bordo se desconecta. El proceso de carga finaliza. Pulsando la tecla de encendido/apagado **10** situada en la batería de la eBike se puede visualizar el estado de carga durante 3 segundos.

Desconecte el cargador de la red y el acumulador del cargador.

Al desconectar del cargador el acumulador éste último se desconecta automáticamente.

Observación: Si ha realizado la carga en la bicicleta, una vez terminado el proceso cierre con cuidado el conector hembra para carga **6** con la cubierta **7** para que no entre suciedad ni agua.

En caso de no desconectar el cargador del acumulador tras la carga, el cargador se vuelve a encender transcurridas unas horas para comprobar el estado de carga del acumulador y comenzar de nuevo la carga si fuese necesario.

Mantenimiento/limpieza




⚠ ADVERTENCIA

- ▶ **No abra ninguno de los componentes. El mantenimiento debe llevarse a cabo exclusivamente por parte de un distribuidor de eBike de Bosch autorizado.** El incumplimiento de la advertencia anterior puede causar la muerte o lesiones graves. Consulte su manual de la bicicleta o de aquellos componentes del sistema de accionamiento que no sean de Bosch.
- ▶ **No cargue ni utilice la eBike en lugares con una atmósfera potencialmente explosiva, como gasolineras, ni en zonas en las que el aire contenga productos químicos o partículas (como semillas, polvo o polvo de metales).** Obedezca todas las señales e instrucciones.
- ▶ **No sumerja los componentes eBike en el agua ni los limpie con una manguera a presión.** El accionamiento de Bosch está diseñado para ser impermeable al agua de lluvia o a una limpieza con manguera sin presión.
- ▶ **No pinte los componentes del sistema de accionamiento de Bosch, ya que eso podría causar un fallo temprano de los mismos.**

Servicio técnico y atención al cliente

En todas las consultas sobre el sistema de la eBike y sus componentes diríjase a una tienda de bicicletas autorizada. Las direcciones de tiendas de bicicletas autorizadas las encuentra en la página de internet www.bosch-ebike.com Si su acumulador ya no funciona acuda por favor a una tienda de bicicletas autorizada.

Localización y solución de averías

Causa	Solución
 <p>Acumulador defectuoso</p>	<p>Parpadeo de dos LED del acumulador</p> <p>Acuda a una tienda de bicicletas autorizada</p>
 <p>Acumulador demasiado caliente o frío</p>	<p>Parpadeo de tres LED del acumulador</p> <p>Desconectar el acumulador del cargador hasta que se alcance el rango de temperatura de carga. No conecte de nuevo el acumulador al cargador hasta que haya alcanzado la temperatura de carga correcta.</p>
 <p>El cargador no carga.</p>	<p>No parpadea ningún LED (en función del estado de carga de la batería de la eBike se iluminan permanentemente uno o varios LED).</p> <p>Acuda a una tienda de bicicletas autorizada</p>
No es posible cargar (ninguna indicación en el acumulador)	
Enchufe incorrectamente introducido	Verificar todas las conexiones por enchufe
Contactos del acumulador, sucios	Limpiar con cuidado los contactos del acumulador
Toma de corriente, cable o cargador defectuoso	Verificar la tensión de red, dejar comprobar el cargador en la tienda de bicicletas
Acumulador defectuoso	Acuda a una tienda de bicicletas autorizada

Programa de reciclaje de baterías

Advertencias generales

Eliminación



La unidad de accionamiento, el ordenador de a bordo incl. la unidad de mando, la batería, el sensor de velocidad, los accesorios y los embalajes deberían reciclarse de forma respetuosa con el medio ambiente.

¡No arroje las eBike ni sus componentes a la basura!

Puede reciclar su batería de Bosch llamando al 1.800.822.8837.



Performance Line



Owner's Manual – The Bosch Drive System Intuvia

BUI251: 1 270 020 906 | BUI255: 1 270 020 909



BOSCH

es Manual original



Este manual contiene información importante de seguridad, rendimiento y mantenimiento. Léalo y asegúrese de entenderlo junto con la información que le ha facilitado el fabricante de su bicicleta antes de usar el producto; guárdelo a modo de referencia.



Introducción

¡Gracias por adquirir una bicicleta equipada con el sistema de accionamiento de Bosch!

El equipo eBike Systems de Bosch le aprecia como cliente y le desea muchos años de satisfacción y seguridad con el uso de su bicicleta.

Advertencias generales



Lea íntegramente todas las indicaciones de seguridad e instrucciones. No seguir las advertencias e instrucciones siguientes puede provocar la muerte o lesiones graves.

Guarde todas las indicaciones de seguridad e instrucciones para posibles consultas futuras.

El término “batería” empleado en este manual del usuario se refiere a todas las baterías para eBike originales de Bosch.

Acerca de las advertencias

Este manual contiene muchos avisos de “**PELIGRO**”, “**ADVERTENCIA**” y “**ATENCIÓN**” relativos a las consecuencias de no utilizar, montar, mantener, almacenar, revisar y desecharse de manera segura una eBike equipada de Bosch.

La combinación del símbolo de advertencia de seguridad y la palabra “**PELIGRO**” indica una situación peligrosa que, de no evitarse, **causará** la muerte o lesiones graves.

La combinación del símbolo de advertencia de seguridad y la palabra “**ADVERTENCIA**” indica una situación peligrosa que, de no evitarse, **podría causar** la muerte o lesiones graves.

La combinación del símbolo de advertencia de seguridad y la palabra “**ATENCIÓN**” indica una situación peligrosa que, de no evitarse, **podría causar** lesiones leves o moderadas.

ADVERTENCIA

- ▶ **Este manual contiene información importante de seguridad, rendimiento y mantenimiento.** Léalo antes de usar su nueva bicicleta y guárdelo a modo de referencia. Puede encontrar el manual también en línea en www.bosch-ebike.com.
- ▶ **Este manual está previsto para su lectura junto con el manual de usuario aparte que venía con su bicicleta.** Antes de usar la bici por primera vez, asegúrese de leer toda la documentación facilitada, incluidas las etiquetas que lleva el producto.

- ▶ **Lea TODOS los manuales incluidos antes de montar en la bicicleta por primera vez.** Su sistema de accionamiento de Bosch incluye manuales y documentación adicionales proporcionados por el fabricante de la bicicleta y de otros componentes. No leer o desconocer la información de seguridad puede provocar la muerte o lesiones graves.
- ▶ **Por su propia SEGURIDAD, sea responsable.** Si tiene dudas o no entiende algo, consúltelo con su distribuidor o con el fabricante de la bicicleta o del componente.
- ▶ **Algunos accesorios de la eBike pueden suponer un peligro de atragantamiento para los niños pequeños.** Mantenga esos accesorios alejados de los niños.

ATENCIÓN

- ▶ **El sistema de accionamiento de Bosch incrementa el peso de su bicicleta, que puede que no esté acostumbrado a levantar.** Evite las lesiones; utilice técnicas de elevación adecuadas.

Utilización de su Manual de usuario

Gráficos

La bicicleta que se muestra en este manual puede diferir ligeramente de la suya; no obstante, las similitudes son suficientes para ayudarle a entender nuestras instrucciones. Los lados DERECHO e IZQUIERDO se indican mirando en el sentido que la bicicleta tendrá al circular hacia delante. Si ve una línea discontinua (-----), el elemento al que se refiere está oculto a la vista.

Uso del sistema de accionamiento de Bosch

Instrucciones de seguridad



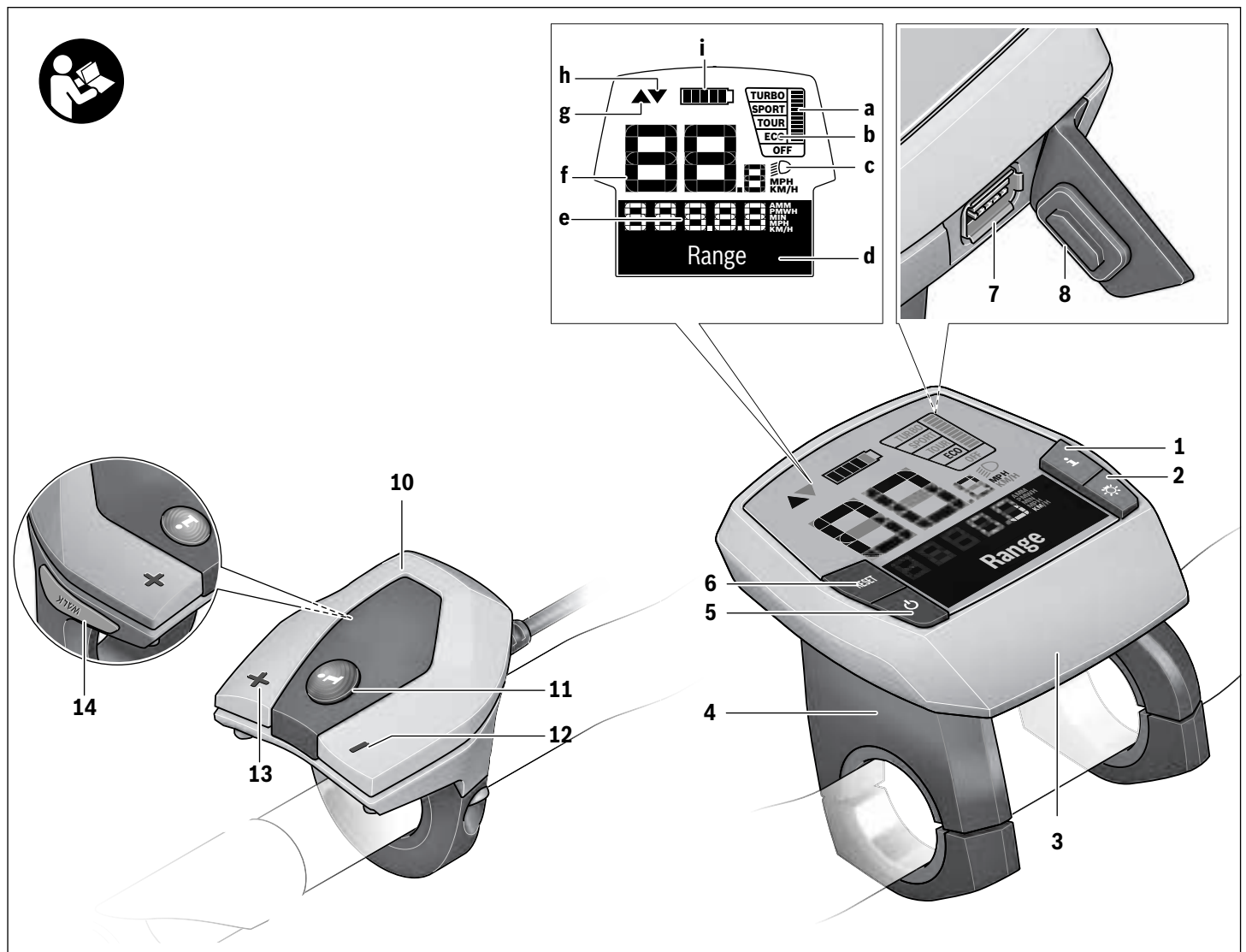
Lea todas las instrucciones y advertencias de seguridad. Las negligencias en el cumplimiento de las instrucciones y advertencias de seguridad pueden ocasionar descargas eléctricas, incendios y/o heridas graves.

Guarde todas las instrucciones y advertencias de seguridad.

El término “batería” empleado en este manual del usuario se refiere a todas las baterías para eBike originales de Bosch.

- ▶ **No utilice el ordenador de a bordo como asidero.** Si se levanta la eBike por el ordenador de a bordo, este puede dañarse irreparablemente.
- ▶ **No permita que las indicaciones del ordenador de a bordo le distraigan.** Si no centra su atención exclusivamente en el tráfico, se arriesga a verse implicado en un accidente. Si desea introducir en el ordenador de a bordo datos que van más allá del cambio de nivel de asistencia, deténgase para efectuar dichas entradas.
- ▶ **Lea y siga todas las indicaciones de seguridad e instrucciones de todos los manuales de uso del sistema eBike, así como las instrucciones de uso de su eBike.**

Descripción y prestaciones del producto



Componentes principales

- 1 Tecla Función de indicación “i”
- 2 Tecla de iluminación “light”
- 3 Ordenador de a bordo Intuvia
- 4 Soporte del ordenador de a bordo Intuvia
- 5 Tecla de encendido/apagado del ordenador de a bordo
- 6 Tecla Reset “RESET”
- 7 Puerto USB
- 8 Capuchón del puerto USB
- 10 Cuadro de mandos
- 11 Tecla Función de indicación “i” en cuadro de mandos
- 12 Tecla para reducir la asistencia/desplazarse hacia abajo “-”
- 13 Tecla para aumentar la asistencia/desplazarse hacia arriba “+”
- 14 Tecla Ayuda para empuje “WALK”*

*No se puede ejecutar en algunos países

Información sobre el ordenador de a bordo

- a Indicador de asistencia del accionamiento
- b Indicador del modo de asistencia
- c Indicador de iluminación
- d Indicador de textos
- e Indicador numérico
- f Velocímetro
- g Recomendación de cambio de marcha: una marcha superior
- h Recomendación de cambio de marcha: una marcha inferior
- i Indicador de estado de carga del acumulador

Datos técnicos

Ordenador de a bordo		Intuvia
Nº de artículo		1 270 020 906/909
Corriente de carga USB, máx.	mA	500
Tensión de carga en puerto USB	V	5
Cable de carga USB *		1 270 016 360
Temperatura de operación	°F	+23... +104
Temperatura de almacenamiento	°F	+14... +122
Temperatura de carga	°F	+32... +104
Batería de litio interna	V mAh	3,7 230
Grado de protección**		IP 54 (protección contra polvo y salpicaduras de agua)
Peso, aprox.	lb	0,3

*) No se incluye en el suministro de serie estándar

**) Con la cubierta para el USB cerrada

Este dispositivo es conforme a la parte 15 de la normativa FCC. El funcionamiento está sujeto a estas dos condiciones:

- (1) este dispositivo no debe emitir interferencias perjudiciales y
- (2) este dispositivo debe aceptar cualquier interferencia recibida, incluidas aquellas que puedan provocar un funcionamiento incorrecto.

Este dispositivo es conforme a CAN ICES-3(B)/NMB-3(B).

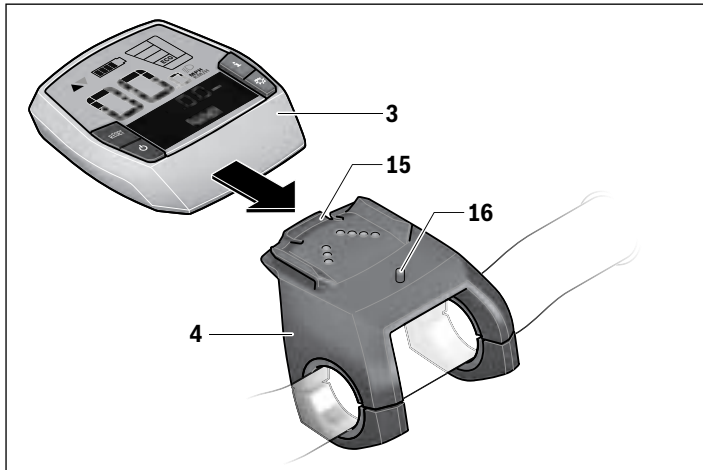
El sistema eBike de Bosch utiliza FreeRTOS (véase www.freertos.org)

Montaje

Colocar y retirar la batería

Para colocar y retirar la batería de la eBike, lea y observe las instrucciones de uso de la batería.

Colocar y retirar el ordenador de a bordo



- 3** Ordenador de a bordo
- 4** Soporte del ordenador de a bordo
- 15** Bloqueo del ordenador de a bordo
- 16** Tornillo de bloqueo del ordenador de a bordo

Para **colocar** el ordenador de a bordo **3** deslícelo en el soporte **4** de delante hacia atrás.

Para **retirar** el ordenador de a bordo **3** presione sobre el enclavamiento **15** y empújelo hacia delante sacándolo del soporte **4**.

► **Retire el ordenador de a bordo cuando estacione la eBike.**

El ordenador de a bordo puede asegurarse en el soporte para impedir que pueda extraerse. Para hacerlo, desmonte el soporte **4** del manillar. Coloque el ordenador de a bordo en el soporte. Apriete el tornillo de bloqueo **16** (rosca M3, 8 mm de largo) desde abajo en la rosca del soporte prevista para ello. Vuelva a montar el soporte en el manillar.

Observación: El tornillo de bloqueo no sirve como protección antirrobo.

Operación

Requisitos

El sistema de la eBike solamente puede activarse si se cumplen los siguientes requisitos:

- El acumulador empleado está suficientemente cargado (ver instrucciones de uso del acumulador).
- El ordenador de a bordo está bien colocado en el soporte.
- El ordenador de a bordo está bien conectado.

Puesta en marcha

Conexión y desconexión del sistema de la eBike

El sistema de la eBike se puede **conectar** de las siguientes formas:

- Si el ordenador de a bordo ya está conectado al colocarlo en el soporte, el sistema eBike se enciende automáticamente.
- Cuando estén colocados el ordenador de a bordo y la batería de la eBike, pulse una vez brevemente la tecla de encendido/apagado **5** del ordenador de a bordo.
- Con el ordenador de a bordo conectado, pulse la tecla de conexión-desconexión de la batería de la eBike (es posible que las soluciones de algunos fabricantes de bicicletas no tengan acceso a la tecla de conexión-desconexión de la batería; véase el manual de instrucciones de la batería).

Tras el encendido, el sistema eBike se encuentra en modo **“OFF”**. Seleccione el nivel de asistencia deseado y empiece a pedalear.

El accionamiento se activa al pisar los pedales. El grado de asistencia se rige en función de los ajustes del ordenador de a bordo.

Durante el funcionamiento normal de la eBike, la asistencia del accionamiento de la misma se desactiva en el momento en que usted deje de pedalear o cuando alcance una velocidad de 20 mph. La asistencia del motor vuelve a reactivarse automáticamente al volver a pedalear, siempre que la velocidad sea inferior a 20 mph.



El sistema de la eBike se puede **desconectar** de las siguientes formas:

- Pulse la tecla de encendido/apagado **5** del ordenador de a bordo.
- Desconecte la batería de la eBike de su tecla de conexión-desconexión (es posible que las soluciones de algunos fabricantes de bicicletas no tengan acceso a la tecla de conexión-desconexión de la batería; véase el manual de instrucciones de la batería).
- Retire el ordenador de a bordo del soporte.

Si transcurren unos 10 min sin mover la eBike **y** sin pulsar ninguna tecla en el ordenador de a bordo, el sistema de la eBike se desconecta de forma automática para ahorrar energía.

eShift (opcional)

eShift es la integración de los sistemas de cambio electrónico en el sistema de la eBike. Los componentes eShift están conectados eléctricamente de fábrica con el motor. El manejo de los sistemas electrónicos de cambio se describe en un manual de instrucciones específico.

Indicaciones y configuración del ordenador de a bordo

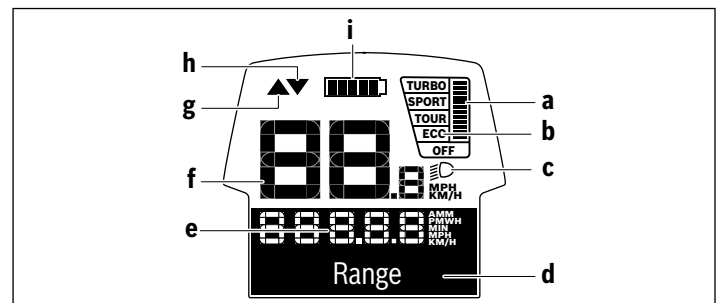
Suministro de corriente del ordenador de a bordo

Si el ordenador de a bordo está colocado en el soporte **4**, si se dispone de una batería con suficiente carga y si se ha conectado el sistema eBike, el ordenador de a bordo se abastecerá con la energía de la batería de la eBike.

Si se extrae el ordenador de a bordo del soporte **4**, el suministro de corriente procede de una batería interna. Si la batería interna es insuficiente al conectar el ordenador de a bordo, aparecerá el aviso **“Conectar a bicicleta”** durante 3 s en el indicador de texto **d**. Después, se desconecta de nuevo el ordenador de a bordo.

Para cargar la batería interna coloque de nuevo el ordenador de a bordo en el soporte **4** (cuando haya una batería en la eBike). Conecte la batería de la eBike mediante su tecla de encendido/apagado (véanse las instrucciones de uso de la batería).

También puede cargar el ordenador de a bordo mediante la conexión USB. Para ello abra la tapa protectora **8**. Conecte la hembra USB **7** del ordenador de a bordo mediante un cable USB adecuado a un cargador USB convencional o a la conexión USB de un ordenador (5 V de tensión de carga; corriente de carga máx. 500 mA). En el indicador de texto **d** del ordenador de a bordo aparece **“USB conectado”**.



Conectar/desconectar el ordenador de a bordo

Para **conectar** el ordenador de a bordo pulse brevemente la tecla de encendido/apagado **5**. El ordenador de a bordo también se puede conectar sin estar colocado en el soporte (si la batería tiene suficiente carga).

Para **desconectar** el ordenador de a bordo pulse la tecla de encendido/apagado **5**.


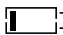
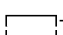
Cuando el ordenador de a bordo no está colocado en el soporte, se desconecta automáticamente para ahorrar energía, si no se pulsa una tecla durante 1 min.

- **Si no va a utilizar la eBike durante varias semanas, extraiga el ordenador de a bordo del soporte.** Guarde el ordenador de a bordo en un lugar seco y a temperatura ambiente. Cargue la batería del ordenador de a bordo cada cierto tiempo (al menos una vez cada tres meses).

Indicador de estado de carga del acumulador

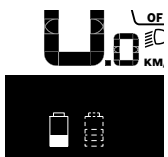
El indicador del estado de carga de la batería **i** muestra el estado de carga de la batería eBike, no el de la batería interna del ordenador de a bordo. También se puede consultar el estado de carga de la batería en el LED que hay en la propia batería de la eBike.

En el indicador **i** cada segmento del símbolo del acumulador corresponde aprox. a un 20 % de capacidad:

-  La batería de la eBike está completamente cargada.
-  La batería de la eBike debería recargarse.
-  Cuando no queden barras LED encendidas en el indicador del control de carga, la ayuda del motor se desconecta lentamente y el indicador del control de carga empieza a parpadear. Si el indicador del control de carga parpadea significa que solo queda carga suficiente en las baterías para utilizar las luces de la eBike durante aprox. 2 horas más. El resto de consumidores (p.ej., cambio de marchas automático, carga de dispositivos externos en la conexión USB) no se tienen en cuenta.

Si se extrae el ordenador de a bordo del soporte **4**, queda memorizado el estado de carga de la batería mostrado por última vez.

Si la eBike funciona con dos baterías, el indicador del estado de carga **i** muestra el nivel de **las dos** baterías.



Si en una eBike provista de dos baterías se cargan ambas en la bicicleta, en la pantalla aparecerá el progreso de carga de las dos baterías (en la ilustración se está cargando la batería izquierda). Puede saber cuál de las dos se está cargando en cada momento observando el indicador intermitente de las baterías.

Ajuste del modo de asistencia

En la unidad de mando **10** puede ajustar el nivel de asistencia del accionamiento de la eBike al pedalear. Este nivel de asistencia se puede modificar en cualquier momento, también durante la marcha.

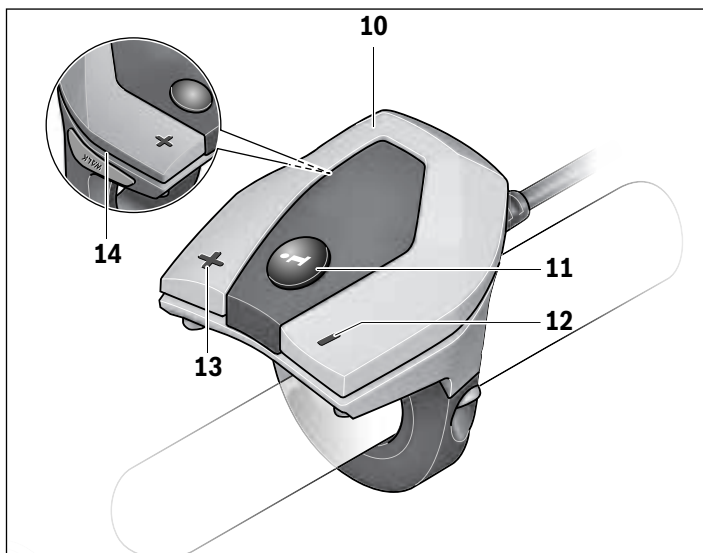
Observación: En ciertas ejecuciones puede que venga preajustado fijo el modo de asistencia y no sea posible modificarlo. También es posible que no exista una diversidad de modos de asistencia tan amplia como la aquí indicada.

Si la eBike viene configurada de fábrica con el **“eMTB Mode”**, al utilizar Intuvia en la pantalla aparece brevemente **“eMTB Mode”** cuando se selecciona el nivel de asistencia **“SPORT”**. En el **“eMTB Mode”** el factor de asistencia y el par se ajustan de manera dinámica en función de la fuerza aplicada a los pedales. El **“eMTB Mode”** solo está disponible para accionamientos Performance Line CX.

A lo sumo están disponibles los siguientes modos de asistencia:

- **“OFF”**: la asistencia del motor está desconectada; la eBike puede utilizarse con los pedales como una bicicleta normal.
- **“ECO”**: eficaz asistencia de gran rendimiento para una autonomía máxima
- **“TOUR”**: asistencia uniforme para recorridos de gran alcance
- **“SPORT”/“eMTB”**:
“SPORT”: enérgica asistencia para una conducción deportiva en trayectos montañosos o para circular en ciudad
“eMTB”: asistencia óptima en cualquier terreno, conducción deportiva, dinámica mejorada, rendimiento máximo.
- **“TURBO”**: Asistencia máxima, incluso al pedalear velozmente, para una conducción deportiva

Para **aumentar** el nivel de asistencia, pulse la tecla **“+” 13** de la unidad de mando las veces necesarias hasta que el indicador **b** muestre el nivel de asistencia deseado; para **reducir** pulse la tecla **“-” 12**.



La potencia de motor solicitada aparece en el indicador **a**. La potencia máxima del motor depende del nivel de asistencia seleccionado.

Si el ordenador de a bordo se retira del soporte **4**, el último nivel indicado **no** se memoriza y se restablece al modo "OFF".

Tras el encendido, el sistema eBike se encuentra en modo "OFF".

Interacción entre el sistema de la eBike y el cambio

También con el accionamiento de la eBike el cambio deberá utilizarse igual que en una bicicleta convencional (consulte al respecto las instrucciones de uso de su eBike).

Independientemente del tipo de cambio empleado es recomendable dejar de pedalear brevemente antes de efectuar un cambio de marcha. Ello no sólo facilita el cambio de marcha sino que también reduce el desgaste del mecanismo de accionamiento.

Seleccionando el cambio de marcha correcto Ud. puede aumentar la velocidad y el alcance aplicando la misma fuerza muscular.

Por ello, siga las recomendaciones de cambio de marcha que aparecerán en los indicadores **g** y **h** de su pantalla. Si se muestra el indicador **g**, debe cambiar a una marcha superior con menor frecuencia de pedaleo. Si se muestra el indicador **h**, debe elegir una marcha inferior con mayor frecuencia de pedaleo.

Conectar/desconectar la iluminación de la bicicleta

Si ha configurado las luces para que se iluminen mediante el sistema de la eBike, puede utilizar la tecla **2** del ordenador de a bordo para encender y apagar al mismo tiempo la luz delantera y la luz trasera.

Cuando se conecta la iluminación aparece "Luz encendida" y cuando se desconecta, "Luz apagada" durante aprox. 1 s en la indicación de texto **d**. El símbolo de iluminación **c** se muestra cuando la luz está encendida.

El hecho de conectar o desconectar la iluminación de la bicicleta no tiene ningún efecto en la iluminación de fondo de la pantalla.

Conexión/desconexión de la Ayuda para empuje

La Ayuda para empuje le asistirá al empujar la eBike. La velocidad alcanzada en esta función (máximo 3,7 mph) depende de la marcha que tenga puesta. Cuanto más pequeña sea la marcha elegida, tanto menor es la velocidad lograda en la función de ayuda para empuje (a plena potencia).

- **La función de ayuda para empuje deberá usarse exclusivamente al empujar la eBike.** Puede llegar a lesionarse si las ruedas de la eBike no están tocando el firme en el momento de utilizar la ayuda para empuje.

Para **activar** la asistencia para empujar caminando, pulse brevemente la tecla "WALK" de su ordenador de a bordo. Tras la activación, pulse la tecla "+" antes de que pasen 3 s y manténgala pulsada. Se conecta el accionamiento de la eBike.

Observación: Con el nivel de asistencia "OFF" no puede activarse la función de asistencia para empujar caminando.

La asistencia para empujar caminando se **desconecta** en cualquiera de los siguientes casos:

- al dejar de mantener pulsada la tecla "+" **13**;
- al bloquearse las ruedas de la eBike (p. ej., debido a una frenada o un choque con un obstáculo);
- al superar la velocidad los 3,7 mph.

Observación: En algunos sistemas, la asistencia para empujar caminando se puede iniciar pulsando directamente la tecla "WALK".

Indicadores de velocidad y distancia

En el **velocímetro f** se indica siempre la velocidad actual. En el **indicador de función** (combinación de indicador de textos **d** e indicador numérico **e**) puede elegirse entre las siguientes funciones:

- **“Hora”**: hora actual
- **“Velocidad máxima”**: velocidad máxima alcanzada desde la última puesta a cero (reset)
- **“Velocidad media”**: velocidad promedio alcanzada desde la última puesta a cero (reset)
- **“Tiempo de marcha”**: Tiempo de marcha desde el último reset
- **“Autonomía restante”**: autonomía previsible con la carga actual del acumulador (manteniendo las mismas condiciones como el modo de asistencia, características del terreno, etc.)
- **“Distancia total”**: indicación de la distancia total recorrida con la eBike (no puede ponerse a cero)
- **“Distancia”**: recorrido cubierto desde la última puesta a cero (reset)

Para **cambiar a la función de indicación** pulse repetidamente la tecla **“i” 1** del ordenador de a bordo o la tecla **“i” 11** de la unidad de mando hasta que se muestre la función deseada.

Para efectuar el **Reset** (puesta a cero) de la **“Distancia”**, **“Tiempo de marcha”** y **“Velocidad media”** cambie a una de estas tres funciones y mantenga pulsada la tecla **“RESET” 6** hasta poner a cero el indicador. Con ello se ponen a cero también las otras dos funciones.

Para efectuar el **Reset** de la **“Velocidad máxima”** acceda a esta función y mantenga pulsada la tecla **“RESET” 6** hasta poner a cero el valor indicado.

Para efectuar el **Reset** de la **“Autonomía restante”** acceda a esta función y mantenga pulsada la tecla **“RESET” 6** hasta que el indicador vuelva a mostrar el valor de fábrica.

Si el ordenador de a bordo se extrae del soporte **4**, siguen almacenados todos los valores de las funciones y se pueden seguir mostrando.

Visualización/adaptación de los ajustes básicos

Las indicaciones y modificaciones de los ajustes básicos se pueden realizar independientemente de si el ordenador de a bordo está colocado o no en el soporte **4**. Algunos ajustes solo pueden verse y modificarse cuando el ordenador de a bordo está colocado. En función del equipamiento de su eBike, puede que falte alguna de las opciones del menú. Para acceder al menú Ajustes básicos mantenga simultáneamente pulsadas la tecla **“RESET” 6** y la tecla **“i” 1** hasta representarse **“Configuración”** en el indicador de textos **d**.

Para **cambiar los ajustes básicos** pulse repetidamente la tecla **“i” 1** del ordenador de a bordo hasta que se muestre el ajuste básico deseado. Si el ordenador de a bordo está colocado en el soporte **4**, también podrá pulsar la tecla **“i” 11** de la unidad de mando.

Para **modificar los ajustes básicos**, pulse la tecla de encendido/apagado **5** junto al indicador **“-”** para reducir o desplazarse hacia abajo o la tecla de iluminación **2** junto al indicador **“+”** para aumentar o desplazarse hacia arriba. Si el ordenador de a bordo está colocado en el soporte **4**, también es posible realizar la modificación con las teclas **“-” 12** o **“+” 13** de la unidad de mando.

Para salir de la función y guardar la modificación de una configuración pulse la tecla **“RESET” 6** durante 3 s.

Puede elegir entre los siguientes ajustes básicos:

- **“- Hora +”**: Permite ajustar la hora. Al mantener pulsadas las teclas de ajuste el cambio de la hora es más rápido.
- **“- Circunf. de rueda +”**: Permite modificar el valor preajustado por el fabricante en un $\pm 5\%$. Esta opción de menú solo se muestra cuando el ordenador de a bordo está colocado en el soporte.
- **“- Español +”**: puede modificar el idioma del indicador de texto. Se puede escoger entre alemán, inglés, francés, español, italiano, portugués, sueco, neerlandés y danés.
- **“- Unidad km/mi +”**: Representación de la velocidad y distancia en kilómetros o millas.
- **“- Formato de hora +”**: Representación de la hora en formato de 12 ó 24 horas.
- **“- Recom. Cambio CON/DES +”**: puede conectar o desconectar el indicador de una recomendación de cambio de marcha.
- **“Total horas funcion.”**: Indicación de tiempo de marcha total (no modificable) realizado con la eBike
- **“Displ. vx.x.x.x”**: es la versión de software de la pantalla.

- “**DU vx.x.x.x**”: es la versión de software de la unidad de accionamiento. Esta opción de menú solo se muestra cuando el ordenador de a bordo está colocado en el soporte.
- “**DU^S xxxxxxxxx**”: se trata del número de serie del motor. Esta opción de menú solo se muestra cuando el ordenador de a bordo está colocado en el soporte.
- “**🔧 Service MM/YYYY**”: esta opción de menú aparece si el fabricante de la bicicleta ha establecido una fecha fija para el mantenimiento.
- “**🔧 Serv. xx km/mi**”: esta opción de menú aparece si el fabricante de la bicicleta ha establecido una fecha fija para el mantenimiento al alcanzar un determinado tiempo de autonomía.
- “**Bat. vx.x.x.x**”: es la versión de software de la batería. Esta opción de menú solo se muestra cuando el ordenador de a bordo está colocado en el soporte.
- “**1. Bat. vx.x.x.x**”: Si utiliza 2 baterías, esta es la versión de software de una batería. Esta opción de menú solo se muestra cuando el ordenador de a bordo está colocado en el soporte.
- “**2. Bat. vx.x.x.x**”: Si utiliza 2 baterías, esta es la versión de software de la otra batería. Esta opción de menú solo se muestra cuando el ordenador de a bordo está colocado en el soporte.

Alimentación de aparatos externos vía puerto USB

A través del puerto USB pueden funcionar o recargarse la mayoría de los aparatos previstos para ser alimentados vía USB (p. ej. diversos móviles).

La condición previa para poder recargar es que estén colocados el ordenador de a bordo y una batería con carga suficiente en la eBike.

Abra la tapa protectora **8** de la conexión USB del ordenador de a bordo. Conecte la conexión USB del dispositivo externo a la hembra USB **7** del ordenador de a bordo con un cable de carga USB Micro A – Micro B (disponible a través de cualquier distribuidor de eBike de Bosch).

Después de desconectar el consumidor, hay que volver a tapar con cuidado la conexión USB con la tapa protectora **8**.

- ▶ **Una conexión USB no es una conexión por enchufe impermeable. Si se conduce bajo la lluvia, no debe conectarse ningún dispositivo externo, y la conexión USB debe estar completamente cubierta con la tapa protectora 8.**

Transporte

- ▶ **Si lleva su eBike en el exterior del automóvil, por ejemplo en un portaequipajes externo al vehículo, retire el ordenador de a bordo y la batería de la eBike para evitar daños.** (Los ordenadores de a bordo que no pueden conectarse en un soporte no pueden retirarse de la bicicleta. En este caso el ordenador de a bordo permanecerá en la bicicleta.)
- ▶ **Extraiga siempre la batería de la bicicleta antes de transportarla en un portabicicletas sobre un vehículo.** No extraer la batería cuando se utiliza un portabicicletas sobre un vehículo puede causar la muerte o lesiones graves. La batería podría soltarse durante el transporte y causar un accidente a otros vehículos.
- ▶ **Utilice en todo caso un portabicicletas homologado y compatible cuando transporte su eBike. El sistema de accionamiento de Bosch incrementa el peso de la bicicleta.** Consulte el manual de su portabicicletas para asegurarse de que la eBike es compatible. Sobrecargar un portabicicletas puede causar la muerte o lesiones graves.
- ▶ **Utilice técnicas de elevación adecuadas, ya que las bicicletas eléctricas suelen ser más pesadas que las normales.**

Transporte únicamente baterías cuya carcasa esté intacta. Pegue los contactos abiertos y empaquete la batería de manera que no se mueva dentro del embalaje. Indique al servicio de paquetería que se trata de mercancía peligrosa. Observe también la normativa nacional aplicable. Compruebe siempre las normativas estatales y regionales antes de transportar sus baterías.

En todas las consultas referentes al transporte de los acumuladores diríjase a una tienda de bicicletas autorizada. En dichas tiendas puede Ud. adquirir también un embalaje de transporte apropiado.

Mantenimiento/limpieza

⚠ ADVERTENCIA

- ▶ **Los componentes del sistema de accionamiento de Bosch no necesitan mantenimiento.** No abra ninguno de los componentes. El mantenimiento debe llevarse a cabo exclusivamente por parte de un distribuidor de eBike de Bosch autorizado. El incumplimiento de la advertencia anterior puede causar la muerte o lesiones graves. Consulte su manual de la bicicleta o de aquellos componentes del sistema de accionamiento que no sean de Bosch.
- ▶ **Retire siempre la batería antes de realizar cualquier inspección, reparación o trabajo de mantenimiento en la bicicleta.** No retirar la batería antes de realizar cualquier inspección, reparación o trabajo de mantenimiento en la bicicleta puede causar la muerte o lesiones graves.
- ▶ **Si cree que hay algo suelto, no utilice la bicicleta.** Consulte a su distribuidor de eBike de Bosch; solo un proveedor de servicios cualificado puede efectuar trabajos en su sistema de accionamiento de Bosch. Las tuercas, los pernos y los tornillos necesitan la fuerza de apriete correcta. Con una fuerza menor de la necesaria, el cierre podría no estar bien sujeto. Con una fuerza excesiva, el cierre puede estropear las roscas, forzarse, deformarse o romperse. En todo caso, una fuerza de apriete incorrecta puede provocar un fallo en los componentes, lo que le puede hacer perder el control y caer.
- ▶ **No pinte los componentes del sistema de accionamiento de Bosch, ya que eso podría causar un fallo temprano de los mismos.**

Trato cuidadoso de la eBike

Cumpla la temperatura de funcionamiento y almacenamiento de los componentes de la eBike. Proteja la unidad de accionamiento, el ordenador de a bordo y la batería de temperaturas extremas (p. ej. debido a una irradiación solar intensa sin ventilación simultánea). Las temperaturas extremas pueden dañar los componentes (especialmente las baterías).

Solicite por lo menos una vez al año una revisión técnica de su sistema eBike, para comprobar, entre otras cosas, que la mecánica se encuentre en buen estado y la versión del software esté actualizada.

- Además, el fabricante o el distribuidor de la bicicleta puede tomar como base el tiempo de autonomía o un determinado intervalo de tiempo para fijar la fecha del mantenimiento. En tal caso, al encender el ordenador de a bordo aparecerá en el indicador de texto el mensaje d “🔧 **Service**” durante 4 s para recordar que debe llevarse a cabo el mantenimiento.

Para el servicio técnico o la reparación de la eBike diríjase a una tienda de bicicletas autorizada.

Limpieza

- ▶ **No sumerja los componentes eBike en el agua ni los limpie con una manguera a presión.** El accionamiento de Bosch está diseñado para ser impermeable al agua de lluvia o a una limpieza con manguera sin presión.

Mantenga limpios los componentes de su eBike, especialmente los contactos del acumulador y del respectivo soporte.

Todos los componentes inclusive la unidad motriz no deberán sumergirse en agua ni tratarse con una limpiadora de alta presión. Mantenga limpios todos los componentes de su eBike, especialmente los contactos de la batería y del soporte correspondiente. Límpielos con un paño suave y húmedo (utilice únicamente jabón neutro y agua).

Servicio técnico y atención al cliente

En todas las consultas sobre el sistema de la eBike y sus componentes diríjase a una tienda de bicicletas autorizada.

Las direcciones de tiendas de bicicletas autorizadas las encuentra en la página de internet **www.bosch-ebike.com**

Si su acumulador ya no funciona acuda por favor a una tienda de bicicletas autorizada.

Localización y solución de averías

Indicador de código de fallos

Los componentes del sistema de la eBike son permanentemente controlados de forma automática. En caso de detectarse un fallo aparece el respectivo código de fallos en el indicador de textos **d**.

Pulse una tecla cualquiera del ordenador de a bordo **3** o de la unidad de mando **10** para volver a las indicaciones estándar.

Según el tipo de fallo puede que se desactive automáticamente el accionamiento. Sin embargo, es posible continuar la marcha en todo momento sin recurrir al accionamiento. Antes de volver a circular con ella deberá hacerse controlar la eBike.

► **El propietario será el encargado de llevar a cabo las acciones para solucionar posibles problemas, excepto aquellas indicadas explícitamente como “Contacte con su distribuidor de eBike de Bosch”.**

Código	Causa	Solución
410	Se han bloqueado una o más teclas del ordenador de a bordo.	Verifique si las teclas están atascadas, p. ej., al haber penetrado suciedad. Si procede, limpie las teclas.
414	Problema de conexión en el cuadro de mandos	Deje verificar las conexiones y las uniones
418	Bloqueo de una o varias teclas del cuadro de mandos.	Verifique si las teclas están atascadas, p. ej., al haber penetrado suciedad. Si procede, limpie las teclas.
419	Fallo de configuración	Reinicie el sistema. Si el problema persiste, contacte con su distribuidor de eBike Bosch.
422	Problema de conexión en la unidad motriz	Deje verificar las conexiones y las uniones
423	Problema de conexión de la batería de la eBike	Deje verificar las conexiones y las uniones
424	Error de comunicación entre los componentes	Deje verificar las conexiones y las uniones
426	Fallo interno de superación de tiempo	Reinicie el sistema. Si el problema persiste, contacte con su distribuidor de eBike Bosch. Si se da este error, no es posible visualizar o adaptar el tamaño de los neumáticos en el menú de ajustes básicos.
430	La batería interna del ordenador de a bordo está descargada	Cargar el ordenador de a bordo (en el soporte o mediante conexión USB)
431	Error de versión del software	Reinicie el sistema. Si el problema persiste, contacte con su distribuidor de eBike Bosch.
440	Fallo interno de la unidad motriz	Reinicie el sistema. Si el problema persiste, contacte con su distribuidor de eBike Bosch.
450	Fallo interno de software	Reinicie el sistema. Si el problema persiste, contacte con su distribuidor de eBike Bosch.
460	Error en la conexión USB	Retire el cable de la conexión USB del ordenador de a bordo. Si el problema persiste, contacte con su distribuidor de eBike Bosch.
490	Error interno del ordenador de a bordo	Encargar que se compruebe el ordenador de a bordo
500	Fallo interno de la unidad motriz	Reinicie el sistema. Si el problema persiste, contacte con su distribuidor de eBike Bosch.

Código	Causa	Solución
502	Fallo en la iluminación de la bicicleta	Compruebe la luz y el cableado correspondiente. Reinicie el sistema. Si el problema persiste, contacte con su distribuidor de eBike Bosch. Si utiliza la bicicleta en la oscuridad, hágalo con luces en las ruedas.
503	Fallo en captador de velocidad	Reinicie el sistema. Si el problema persiste, contacte con su distribuidor de eBike Bosch.
510	Fallo interno del sensor	Reinicie el sistema. Si el problema persiste, contacte con su distribuidor de eBike Bosch.
511	Fallo interno de la unidad motriz	Reinicie el sistema. Si el problema persiste, contacte con su distribuidor de eBike Bosch.
530	Fallo del acumulador	Desconecte la eBike, extraiga la batería de misma y vuelva a colocarla. Reinicie el sistema. Si el problema persiste, contacte con su distribuidor de eBike Bosch.
531	Fallo de configuración	Reinicie el sistema. Si el problema persiste, contacte con su distribuidor de eBike Bosch.
540	Fallo de temperatura	La eBike se encuentra fuera del rango de temperatura permitido. Desconecte el sistema de eBike y deje que el motor se enfríe o se caliente para que se sitúe en el rango de temperatura permitido. Reinicie el sistema. Si el problema persiste, contacte con su distribuidor de eBike Bosch.
550	Se ha detectado un usuario impropio.	Suprima el usuario. Reinicie el sistema. Si el problema persiste, contacte con su distribuidor de eBike Bosch.
580	Error de versión del software	Reinicie el sistema. Si el problema persiste, contacte con su distribuidor de eBike Bosch.
591	Error de autenticación	Desconecte el sistema eBike. Extraiga el acumulador y vuelva a instalarlo. Reinicie el sistema. Si el problema persiste, contacte con su distribuidor de eBike Bosch.
592	Componentes incompatibles	Utilizar una pantalla compatible. Si el problema persiste, contacte con su distribuidor de eBike Bosch.
593	Fallo de configuración	Reinicie el sistema. Si el problema persiste, contacte con su distribuidor de eBike Bosch.
595, 596	Error de comunicación	Compruebe el cableado hasta la caja de cambios y reinicie el sistema. Si el problema persiste, contacte con su distribuidor de eBike Bosch.
602	Fallo interno del acumulador durante el proceso de carga	Desconecte el dispositivo de carga del acumulador. Reinicie el sistema eBike. Conecte el dispositivo de carga al acumulador. Si el problema persiste, contacte con su distribuidor de eBike Bosch.
602	Fallo interno del acumulador	Reinicie el sistema. Si el problema persiste, contacte con su distribuidor de eBike Bosch.
603	Fallo interno del acumulador	Reinicie el sistema. Si el problema persiste, contacte con su distribuidor de eBike Bosch.

Código	Causa	Solución
605	Fallo de temperatura del acumulador	La eBike se encuentra fuera del rango de temperatura permitido. Desconecte el sistema de eBike y deje que el motor se enfríe o se caliente para que se sitúe en el rango de temperatura permitido. Reinicie el sistema. Si el problema persiste, contacte con su distribuidor de eBike Bosch.
605	Fallo de temperatura del acumulador durante el proceso de carga	Desconecte el dispositivo de carga del acumulador. Deje enfriar el acumulador. Si el problema persiste, contacte con su distribuidor de eBike Bosch.
606	Fallo externo del acumulador	Compruebe el cableado. Reinicie el sistema. Si el problema persiste, contacte con su distribuidor de eBike Bosch.
610	Fallo de tensión del acumulador	Reinicie el sistema. Si el problema persiste, contacte con su distribuidor de eBike Bosch.
620	Fallo del dispositivo de carga	Sustituya el dispositivo de carga. Contacte con su vendedor eBike de Bosch.
640	Fallo interno del acumulador	Reinicie el sistema. Si el problema persiste, contacte con su distribuidor de eBike Bosch.
655	Fallo múltiple del acumulador	Desconecte el sistema eBike. Extraiga el acumulador y vuelva a instalarlo. Reinicie el sistema. Si el problema persiste, contacte con su distribuidor de eBike Bosch.
656	Error de versión del software	Contacte con su distribuidor de eBike Bosch para que le actualicen el software.
7xx	Error de la caja de cambios	Observe las instrucciones de uso del fabricante del cambio de marchas.
Ninguna indicación	Error interno del ordenador de a bordo	Reinicie el sistema eBike apagándolo y volviéndolo a encender.

Programa de reciclaje de baterías

Advertencias generales

Eliminación



La unidad de accionamiento, el ordenador de a bordo incl. la unidad de mando, la batería, el sensor de velocidad, los accesorios y los embalajes deberían reciclarse de forma respetuosa con el medio ambiente.

¡No arroje las eBike ni sus componentes a la basura!



Puede reciclar su batería de Bosch llamando al 1.800.822.8837.

Imprint / Mentions légales / Pie de imprenta:

Riese & Müller GmbH
Feldstraße 16
64331 Weiterstadt, Germany

Status / État / Estado: 03/2018
180413

Riese & Müller GmbH
Feldstraße 16
64331 Weiterstadt
Germany

T: +49 61 51-366 86-0
F: +49 61 51-366 86-20
team@r-m.de
www.r-m.de

