

Cette notice contient d'importantes informations sur la sécurité, les performances et l'entretien. Lisez-les et comprenez-les ainsi que les informations fournies par le fabricant de votre vélo avant d'utiliser le produit, et conservez-les pour référence ultérieure.

Owner's Manual – The Bosch Drive System PowerTube 750

BBP3775 | BBP3776



Robert Bosch GmbH
72757 Reutlingen
Germany

www.bosch-ebike.com

0 275 U07 3PX (2021.07) T / 55

Este manual contiene información importante de seguridad, rendimiento y mantenimiento. Léalo y asegúrese de entenderlo junto con la información que le ha facilitado el fabricante de su bicicleta antes de usar el producto; guárdelo a modo de referencia.

en Original operating instructions
fr Notice d'utilisation d'origine
es Instrucciones de servicio originales

This manual contains important safety, performance and service information. Read and understand it along with the information provided to you by your bicycle manufacturer before using the product, and keep it for reference.

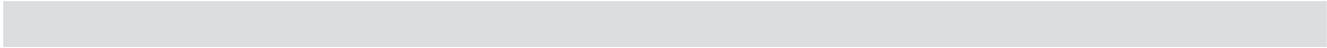


Table of contents

Introduction	2
About Warnings	2
General Warnings	2
Using your Manual	3
On-product warning labels	4
Handling the lithium-ion battery pack	5
Safety warnings for Bosch eBike batteries	5
Product description and specifications	7
Fitting	9
Operation	13
Transport	13
Maintenance/cleaning	14
Storing	14
Troubleshooting	16
Battery Recycling Program	17

Introduction

About Warnings

This manual contains many **DANGER**, **WARNING**, and **CAUTION** indicators concerning the consequences of failure to use, assemble, maintain, store, inspect and dispose of a Bosch-equipped eBike in a safe manner.

- The combination of the safety alert symbol and the word **DANGER** indicates a hazardous situation that, if not avoided, will result in death or serious injury.
- The combination of the safety alert symbol and the word **WARNING** indicates a hazardous situation that, if not avoided, could result in death or serious injury.
- The combination of the safety alert symbol and the word **CAUTION** indicates a hazardous situation that, if not avoided, could result in minor or moderate injury.

General Warnings



Read all safety warnings and all instructions. Failure to follow the warnings and instructions may result in death or serious injury.

Save all safety warnings and instructions for future reference.

The term **battery pack** used in these operating instructions refers to all original Bosch eBike battery packs.

WARNING

- ▶ **This manual contains important safety, performance and service information.** Read it before you take the first ride on your new bicycle, and keep it for reference. The manual can also be found online at www.bosch-ebike.com.
- ▶ **This manual is intended to be read together with the separate user manual provided with your bicycle.** Be sure to read all provided documents including labels on the product before your first ride.
- ▶ **Read ALL accompanying manuals before riding the bike for the first time.** Your Bosch Drive System comes with additional manuals and documents provided by the manufacturer of the bicycle and other components. Failure to read and understand safety information can result in death or serious injury.

- ▶ **Take responsibility for your own SAFETY.** If you have any questions or do not understand something, consult with your dealer or the bicycle or component manufacturer.
- ▶ **Some eBike accessories may present a choking hazard to small children.** Keep these accessories away from children.

CAUTION

- ▶ **The Bosch Drive System adds weight to your bicycle which you may not be used to lift.** Avoid injury, use proper lifting techniques.

Using your Manual

In addition to the functions outlined here, changes to software relating to troubleshooting and functional modifications may be introduced at any time.

Graphics

The bicycle shown in this manual may differ slightly from your bicycle, but will be similar enough to help you understand our instructions.

RIGHT-HAND and LEFT-HAND sides are determined by facing in the direction the bicycle will travel when going forward. When you see a broken line (-----), the item referred to is hidden from view.

On-product warning labels



<p>▲ WARNING To reduce the risk of injury, explosion, or fire, user must read instruction manual. • Do not crush, puncture, disassemble, short terminals, or dispose in fire. • Do not use battery once it has been impacted, sustained water damage or visibly damaged. • Charge battery only with Bosch eBike chargers.</p>	<p>▲ AVERTISSEMENT L'utilisateur doit lire le mode d'emploi pour réduire le risque de blessure, explosion ou d'incendie. • Ne pas écraser, perforer, démonter, court-circuiter les bornes ou jeter dans un feu. • Ne pas réutiliser la pile si elle a subi un choc, des dégâts causés par l'eau ou d'autres dommages visibles. • Ne charger la pile qu'avec un chargeur Bosch eBike.</p>
--	---

<p>▲ 警告 使用前に取扱説明書を読むこと 分解、改造、端子の短絡、火気への投入禁止 故障が疑われる時は使用を停止する</p>	<p>▲ 주의사항 1. 사용 전 반드시 사용설명서를 읽어주시기 바랍니다. 2. 비오는 날이나 가연성 폭발물 근처에서는 사용하지 마세요.</p>
--	--

- ▶ **Warning labels have been placed on the Bosch eBike System for your protection. Read and follow the instructions of the labels on the product carefully. If a label becomes illegible or comes off, contact your Bosch bicycle dealer to obtain a replacement.** Replacement safety labels are provided by Bosch at no charge.

Handling the lithium-ion battery pack

Safety warnings for Bosch eBike batteries



Read and understand all safety warnings and instructions. Failure to

follow the below warnings could result in death or serious injury.

Save all safety warnings and instructions for future reference.

The term **battery pack** used in these operating instructions refers to all original Bosch eBike battery packs.



- ▶ **Do not puncture or crush the battery pack. Do not impact the battery pack or modify it in any way.** Do not use the battery pack if it shows visible damage. Danger of fire or explosion which can cause death or serious injury.



Protect the battery pack against heat (e.g., temperature > 140 °F), fire and immersing into water. Danger of explosion.



- ▶ **Use only original Bosch battery packs approved for your eBike by the manufacturer and purchased from a credible source.** Use of non-approved or counterfeit battery packs can lead to death or serious injury.
- ▶ **Remove the battery from the eBike before beginning work (e.g. inspection, repair, assembly, maintenance, work on the chain, etc.) on the eBike, transporting it with a car or airplane, or storing it.** Unintentional activation of the eBike system poses a risk of injury.
- ▶ **Do not open the battery.** There is a risk of short-circuiting. Opening the battery voids any and all warranty claims.
- ▶ **When the battery is not in use, keep it away from paper clips, coins, keys, nails, screws or other small metal objects that could make a connection from one terminal to another.** A short circuit between the battery terminals may cause burns or a fire. Short circuit damage which occurs in this instance voids any and all warranty claims against Bosch.
- ▶ **Avoid mechanical loads and exposure to high temperatures.** These can damage the battery cells and cause the flammable contents to leak out.
- ▶ **Do not place the charger or the battery near flammable materials. Ensure the battery is completely dry and placed on a fireproof surface before charging.** There is a risk of fire due to the heat generated during charging.
- ▶ **The eBike battery must not be left unattended while charging.**
- ▶ **If used incorrectly, liquid may leak from the battery. Contact with this liquid should be avoided. If contact occurs, rinse off with water. If the liquid comes into contact with your eyes, seek additional medical attention.** Liquid leaking from the battery may cause irritation or scalding.
- ▶ **Batteries must not be subjected to mechanical shock.** There is a risk of the battery being damaged.
- ▶ **The battery may give off fumes if it becomes damaged or is used incorrectly. Ensure the area is well ventilated and seek medical attention should you experience any adverse effects.** The fumes may irritate the respiratory system.
- ▶ **Only charge the battery using original Bosch chargers.** When using chargers that are not made by Bosch, the risk of fire cannot be excluded.
- ▶ **Use the battery only in conjunction with eBikes that have original Bosch eBike drive systems.**

This is the only way in which you can protect the battery against dangerous overload.

- ▶ **Use only original Bosch batteries that the manufacturer has approved for your eBike.** Using other batteries can lead to injuries and pose a fire hazard. Bosch accepts no liability or warranty claims if other batteries are used.
- ▶ **Read and observe the safety warnings and instructions in all operating instructions of the eBike system and your eBike.**
- ▶ **Keep the battery away from children.**

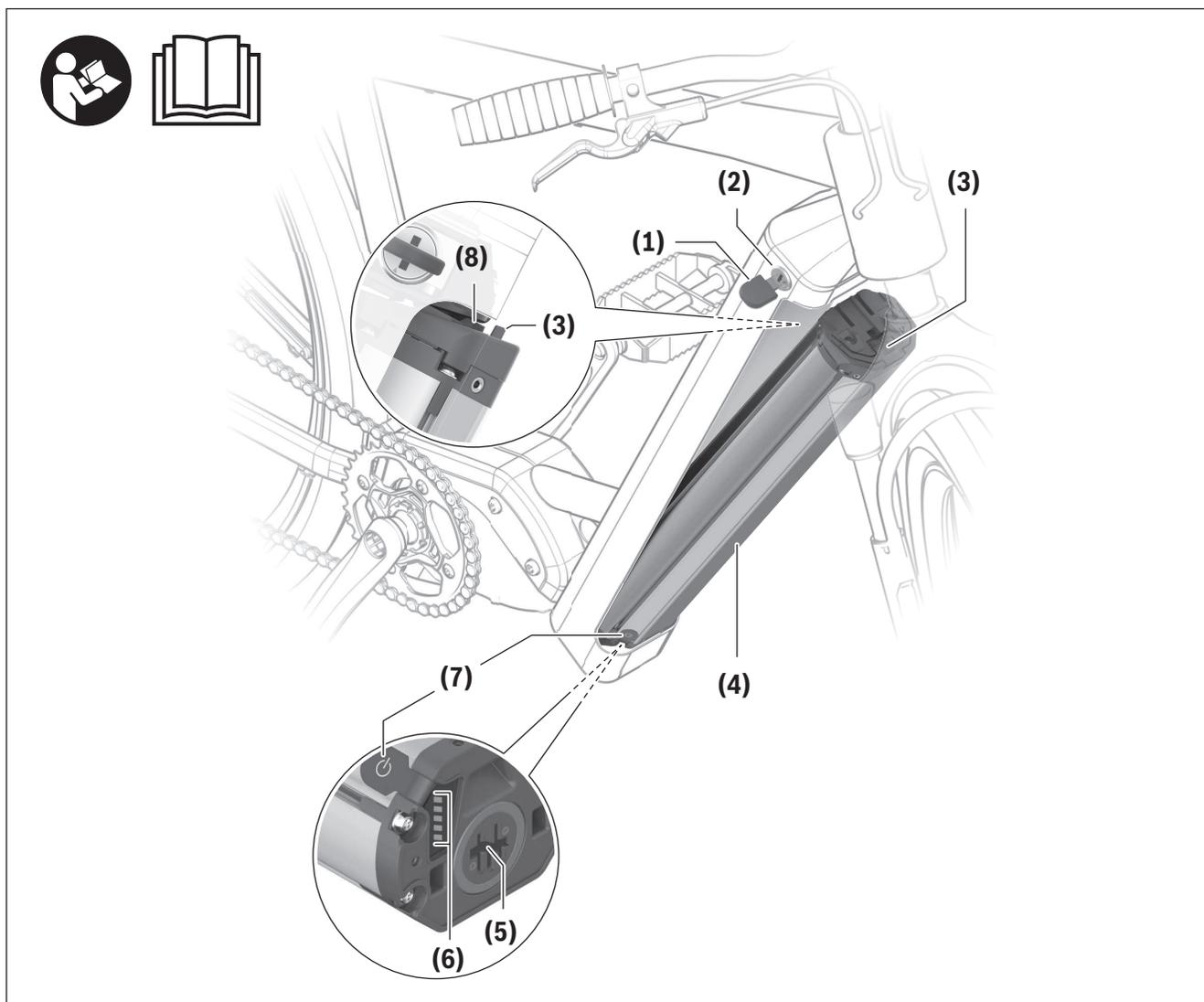
The safety of both our customers and our products is important to us. Our eBike batteries are lithium-ion batteries which have been developed and manufactured in accordance with the latest technology. We comply with or exceed the requirements of all relevant safety standards. When charged, these lithium-ion batteries contain a high level of energy. If a fault occurs (which may not be detectable from the outside), in very rare cases and under unfavorable conditions, lithium-ion batteries can catch fire.

Privacy notice

When you connect the eBike to the **Bosch DiagnosticTool 3**, data about the eBike batteries (e.g. temperature, cell voltage, etc.) is transferred to Bosch eBike Systems (Robert Bosch GmbH) for the purposes of product improvement. You can find more information about this on the Bosch eBike website at www.bosch-ebike.com.

Product description and specifications

Product features PowerTube



All representations of bike components are schematic and can deviate from your eBike.

(1) Key for the battery lock

(2) Battery lock

(3) PowerTube battery safety hook

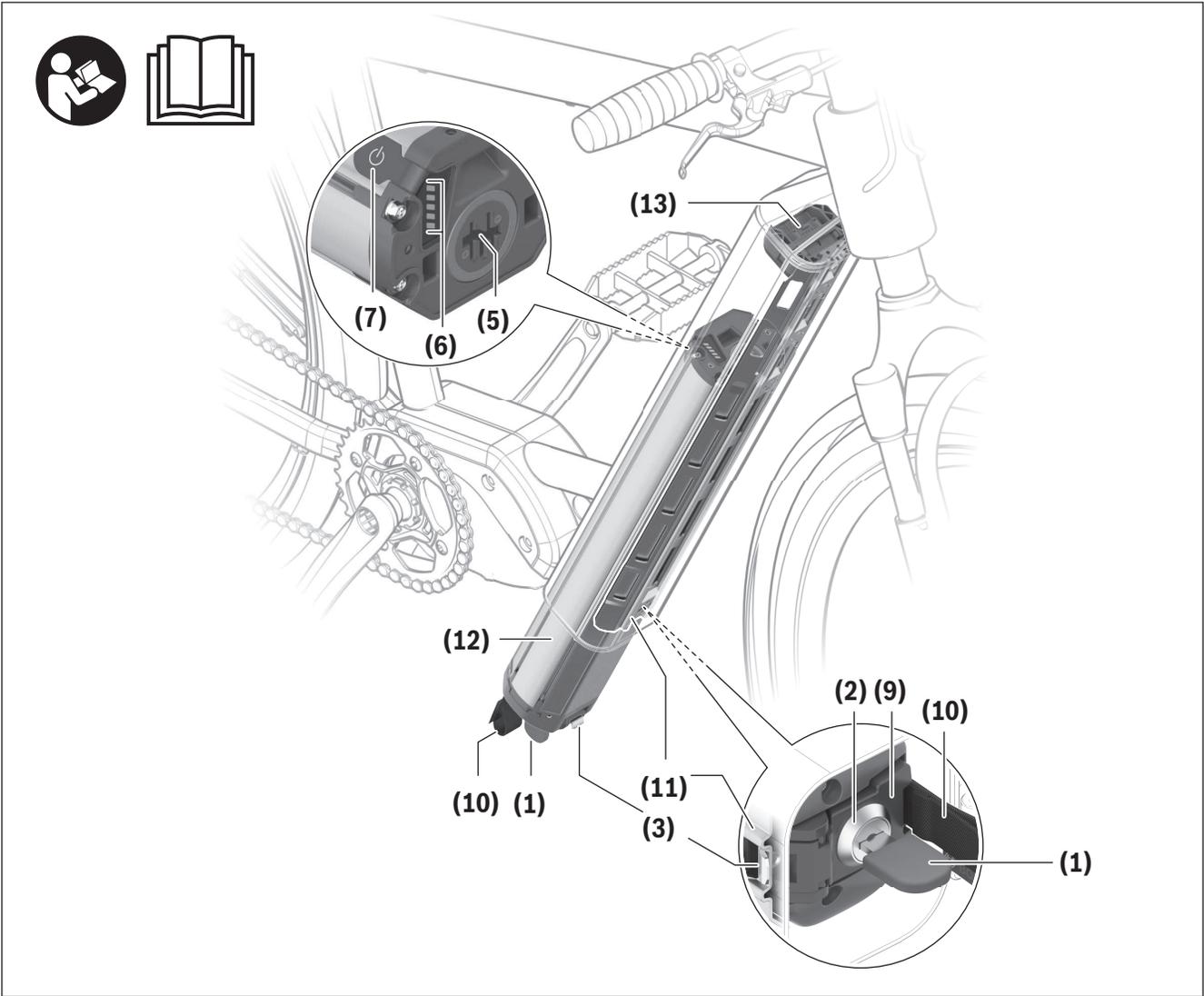
(4) PowerTube battery (pivot)

(5) Socket for charging connector

(6) Operation/battery charge indicator

(7) On/off button

(8) PowerTube battery safety restraint



All representations of bike components are schematic and can deviate from your eBike.

(12) PowerTube battery (axial)
(13) Upper axial PowerTube holder

- (1)** Key for the battery lock
- (2)** Battery lock
- (3)** PowerTube battery safety hook
- (5)** Socket for charging connector
- (6)** Operation/battery charge indicator
- (7)** On/off button
- (9)** Locking mechanism
- (10)** Pull strap
- (11)** Axial rail

Intended Use

The Bosch eBike batteries are intended exclusively to provide the power supply for your eBike drive unit and must not be used for any other purpose.

Technical data

Li-ion battery	PowerTube 750	
Product code	Horizontal	BBP3775
Product code	Vertical	BBP3776
Rated voltage	V=	36
Nominal capacity	Ah	20.1

Li-ion battery	PowerTube 750	
Energy	Wh	750 ^{A)}
Operating temperature	°F	23 to 104
Storage temperature	°F	50 to 104
Permitted charging temperature range	°F	32 to 104
Weight, approx.	lbs	9.7
Protection rating		IP54

A) Advertised battery energy capacity is an approximation. Due to manufacturing tolerances measured capacity may not always match the advertised capacity.

Fitting

- ▶ **Ensure the battery is placed on clean surfaces only.** Avoid getting dirt, e.g. sand or soil, in the charging socket and contacts in particular.

Testing the battery before using it for the first time

Test the battery before charging it for the first time or using it in your eBike.

To do this, press the on/off button **(7)** to switch the battery on. If none of the LEDs on the battery charge indicator **(6)** light up, the battery may be damaged.

If at least one (but not all) of the LEDs on the battery charge indicator **(6)** lights up, the battery will need to be fully charged before using it for the first time.

- ▶ **Do not charge or use batteries if they are damaged.** Contact an authorized bicycle dealer.

Charging the battery

- ▶ **A Bosch eBike battery must only be charged using an original Bosch eBike charger.**

Note: The battery is supplied partially charged. To ensure full battery capacity, fully charge the battery in the charger before using it for the first time.

To charge the battery, read and follow the instructions in the operating manual for the charger.

The battery can be charged at any state of charge. Interrupting the charging process does not damage the battery.

The battery has a temperature monitoring function which only allows it to be charged within a temperature range of **32 °F** to **104 °F**.



If the temperature of the battery is outside this charging range, three of the LEDs on the battery charge indicator **(6)** will flash. Disconnect the battery from the charger and let it acclimatize.

⚠ CAUTION

- ▶ **Do not connect the battery pack to the charger until it has reached the allowable charging temperature.**

Battery charge indicator

The five green LEDs on the battery charge indicator **(6)** indicate the battery's state of charge of when the battery is switched on.

Each LED represents approximately 20 % of the charging capacity. When the battery is fully charged, all five LEDs will be lit.

The battery's state of charge when switched on is also shown on the display of the on-board computer. Read and follow the instructions in the operating manuals for the drive unit and on-board computer.

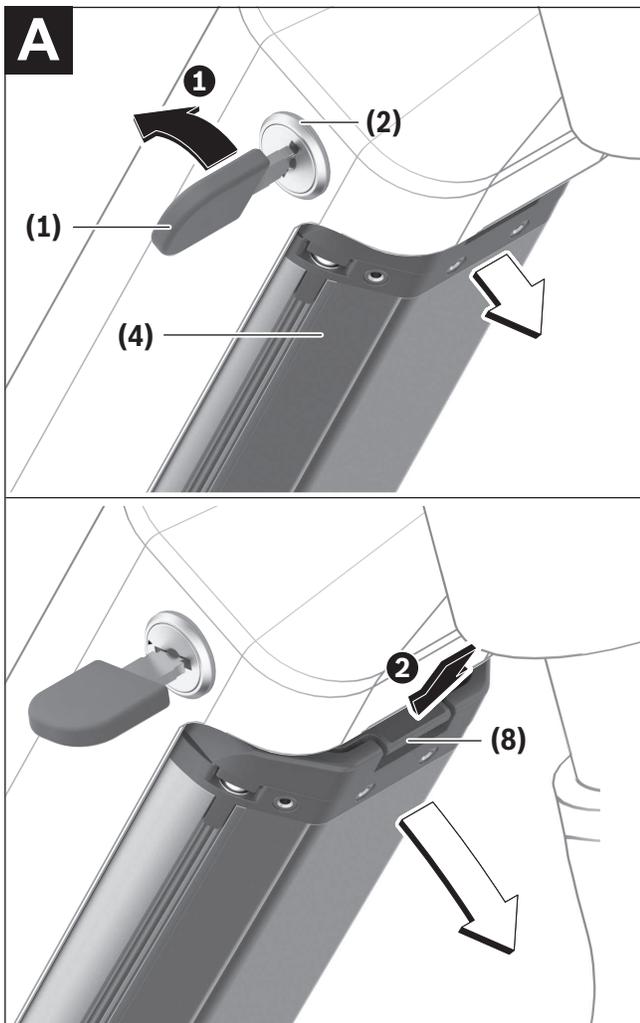
If the battery capacity is less than 5 %, all the LEDs on the battery charge indicator (6) on the battery will go out. The display function of the on-board computer, however, will carry on working.

Once charging is complete, disconnect the battery from the charger and the charger from the mains.

Inserting and removing the battery

► **Always switch off the battery and the eBike system when inserting the battery into the holder or removing it from the holder.**

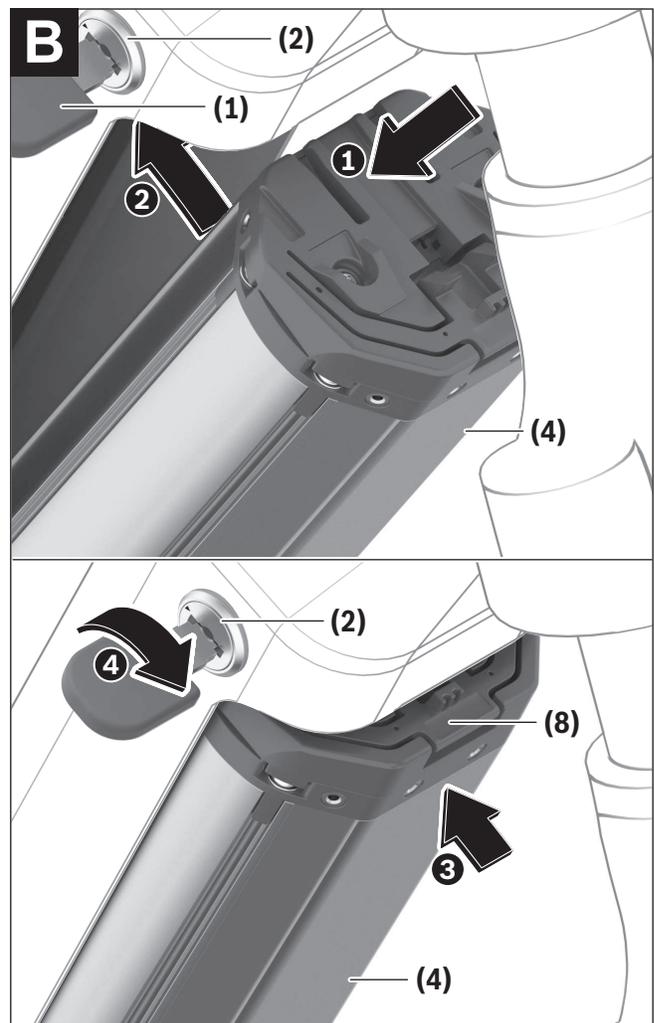
Removing the PowerTube battery (pivot)
(see figure A)



- ❶ To remove the PowerTube battery (4), open the lock (2) using the key (1). The battery will be unlocked and fall into the safety restraint (8).
- ❷ Press on the safety restraint from above. The battery will be unlocked completely and fall into your hand. Pull the battery out of the frame.

Note: As a result of **varying** designs, the battery may need to be inserted and removed using a different method. Read the eBike manufacturer's operating instructions.

Inserting the PowerTube battery (pivot)
(see figure B)

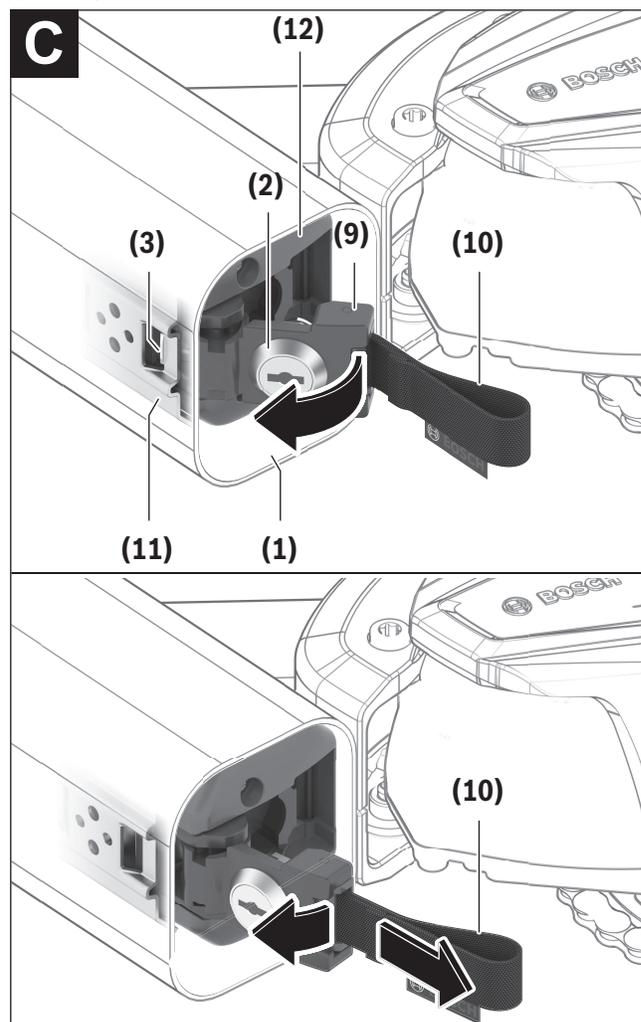


In order for the battery to be inserted, the key **(1)** must be inserted into the lock **(2)** and the lock must be open.

- ❶ To insert the PowerTube battery **(4)**, place it so that its contacts are in the lower holder of the frame.
- ❷ Push the battery upwards until it is held by the safety restraint **(8)**.
- ❸ Hold the lock open with the key and press the battery upwards until you hear it click into place. Check that the battery is secure in all directions.
- ❹ Always secure the battery by closing the lock **(2)** – otherwise the lock may open and the battery may fall out of the holder.

Always remove the key **(1)** from the lock **(2)** after locking it. This prevents both the key from falling out and the battery from being removed by unauthorized third parties when the eBike is not in use.

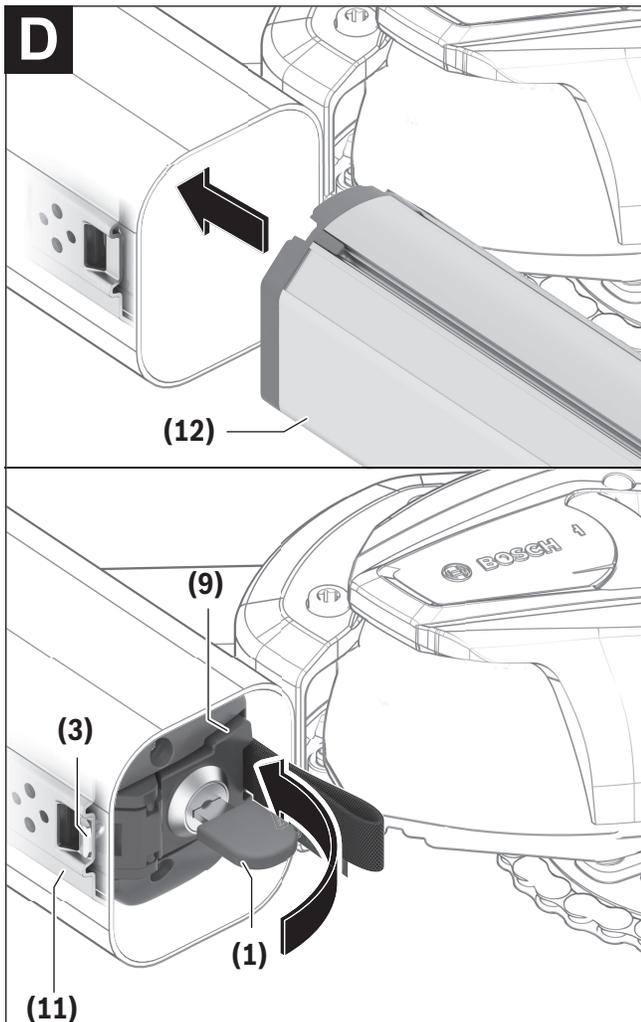
Removing the PowerTube battery (axial) (see figure C)



- ❶ To remove the PowerTube battery **(12)**, open the lock **(2)** using the key **(1)**, remove the key **(1)** and fold the locking mechanism **(9)** to the side.
- ❷ Use the pull strap **(10)** to pull the battery **(12)** out of the frame.

Note: As a result of **varying** designs, the battery may need to be inserted and removed using a different method. Read the eBike manufacturer's operating instructions.

Inserting the PowerTube battery (axial) (see figure D)



In order for the battery to be inserted, the locking mechanism **(9)** must be folded to the side. At this point, the key **(1)** must not be inserted in the battery lock **(2)**.

- 1** To insert the PowerTube battery, insert it into the frame with the socket for the charging connector **(5)** facing upwards until the battery clicks into place.
- 2** Close the locking mechanism **(9)**, insert the key **(1)** into the battery lock **(2)** and secure the battery. Make sure that the safety hook **(3)** is hooked in at the opening of the axial rail **(11)**.

3 Check that the battery is secure in all directions. Always remove the key **(1)** from the lock **(2)** after locking it. This prevents both the key from falling out and the battery from being removed by unauthorized third parties when the eBike is not in use.

Operation

Start-up

- ▶ **Use only original Bosch batteries that the manufacturer has approved for your eBike.** Using other batteries can lead to injuries and pose a fire hazard. Bosch accepts no liability or warranty claims if other batteries are used.

Switching on/off

Switching on the battery is one way to switch on the eBike system. Read and follow the instructions in the operating manuals for the drive unit and on-board computer.

Before switching on the battery, i.e. the eBike system, make sure that the lock **(2)** is closed.

To **switch on** the battery, press the on/off button **(7)**. Do not use sharp or pointed objects to press the button. The LEDs on the indicator **(6)** will light up, indicating the battery's state of charge at the same time.

- ▶ **Always check that the battery pack is locked in place.** To do this, pull on the battery pack (after the key has been removed).

Note: If the battery capacity is less than 5 %, none of the LEDs on the battery charge indicator **(6)** will light up. Whether the eBike system is switched on is only visible on the on-board computer/control unit.

To **switch off** the battery, press the on/off button **(7)** again. The LEDs on the indicator **(6)** go out. This will also switch the eBike system off.

If no power is drawn from the eBike drive for about **10** minutes (e.g. because the eBike is not moving) and no button is pressed on the on-board computer or the control unit of the eBike, the eBike system will switch off automatically.

The battery is protected against deep discharge, overloading, overheating and short-circuiting by the "Electronic Cell Protection (ECP)". In the event of danger, a protective circuit switches the battery off automatically.



If a fault is detected in the battery, two of the LEDs on the battery charge indicator **(6)** will flash. Contact an authorized bicycle dealer if this happens.

Behavior in the event of a fault

The Bosch eBike battery must not be opened, even for repairs. There is a risk that the Bosch eBike battery could catch fire, e.g. due to a short circuit. This risk arises if a Bosch eBike battery which has **already** been opened is reused at a later point in time.

Therefore, do not repair the Bosch eBike battery in the event of a fault, but have it replaced with an original Bosch eBike battery by your specialist retailer.

Transport

⚠ WARNING

- ▶ **Always remove the battery pack from the bicycle before transporting the bicycle on a vehicle bike rack.** Failure to remove the battery pack when using a vehicle bike rack can lead to death or serious injury. The battery may detach during transport and cause an accident to following vehicles.
- ▶ **Always use an approved and compatible bicycle rack when transporting your eBike. The Bosch drive system adds weight to the bicycle.** Refer to

your bicycle rack manual to be sure your eBike is compatible. Overloading a bike rack can result in death or serious injury.

- ▶ **Use proper lifting techniques as electric bikes are generally heavier than bicycles.**

Ship batteries only when the housing is undamaged. Tape or mask off open contacts and pack up the battery in such a manner that it cannot move around in the packaging. Inform your parcel service that the package contains dangerous goods. Please also ob-

serve possibly more detailed national regulations. Always check state and federal regulations before attempting to ship your battery.

If you have any questions about transporting the batteries, contact an authorized bicycle dealer. You can also order suitable transport packaging from the dealer.

Maintenance/cleaning

⚠ WARNING

- ▶ **Do not open any of the components. Service should only be carried out at an authorized Bosch eBike dealer.** Failure to follow above warning can cause death or serious injury. Refer to your bicycle manual or component manual for all non-Bosch drive system components.
- ▶ **Always remove the battery pack before performing any bicycle inspection, maintenance or repair.** Failure to remove the battery pack before performing bicycle inspection, maintenance or repair can lead to serious injury.
- ▶ **If replacing your battery, buy only a genuine Bosch battery pack from an approved source. See your Bosch eBike dealer for original Bosch parts.**
- ▶ **Always switch the battery pack off, when inserting or removing it from the holder.** Never attempt to insert or remove the battery pack while riding the bike.
- ▶ **Do not charge or use your eBike in any area with a potentially explosive atmosphere, such as at a fueling area, or in areas where the air contains chemicals or particles (such as grain, dust, or metal powders).** Obey all signs and instructions.
- ▶ **Do not submerge your eBike components in water, or wash with pressurized hose.** Your Bosch drive unit is designed to be water tight to rain water or non-pressure hose washing.

- ▶ **Note down the manufacturer and the number of the key.** In case of loss of the keys, please refer to an authorised Bosch eBike dealer. Please provide the name of the manufacturer and the number of the key.
- ▶ **Do not paint any components of the Bosch drive system as they may cause premature failure of the component.**

After-sales service and advice on using products

If you have any questions about the eBike system and its components, contact an authorized bicycle dealer. For contact details of authorized bike dealerships, please visit www.bosch-ebike.com. Please contact an authorized bicycle dealer if the battery is no longer working.

Cleaning

- ▶ **Do not submerge your eBike components in water, or wash with pressurized hose.** Your Bosch drive unit is designed to be water tight to rain water or non-pressure hose washing.
- Keep all components of your eBike clean, especially the battery-pack contacts and corresponding holder contacts. All components including the drive unit may not be immersed in water or cleaned with a high-pressure cleaner. Clean them carefully with a soft, damp cloth (using only mild soap and water).

Storing

The service life of the battery can be extended if it is looked after well and especially if it is stored at the correct temperature.

As it ages, however, the capacity of the battery will diminish, even with good care.

A significantly reduced operating period after charging indicates that the battery pack is worn out and

must be replaced. You can replace it yourself by purchasing a genuine Bosch PowerPack from an authorized Bosch eBike dealer.

Recharging the battery before and during storage

When you are not going to use the battery for an extended period (longer than three months), store it at a state of charge of around 30 % to 60 % (when two to three of the LEDs on the battery charge indicator **(6)** are lit).

Check the state of charge after six months. If only one of the LEDs on the battery charge indicator **(6)** is lit, charge the battery back up to around 30 % to 60 %.

Note: If the battery is stored with no charge for an extended period of time, it may become damaged despite the low self-discharge and the battery capacity could be significantly reduced.

Leaving the battery permanently connected to the charger is not recommended.

Storage conditions

If possible, store the battery in a dry, well-ventilated place. Protect it against moisture and water. When the weather conditions are bad, it is advisable to remove the battery from the eBike and store it in a closed room until you use it next, for example.

Store the eBike batteries in the following locations:

- In a room with a smoke alarm
- Away from combustible or easily flammable objects
- Away from heat sources

For an optimum service life, store the eBike battery at temperatures between **50 °F** and **68 °F**. Never store it at temperatures below **14 °F** or above **140 °F**.

Make sure that the maximum storage temperature is not exceeded. Do not leave the battery in your car in the summer, for example, and store it away from direct sunlight.

Leaving the battery on the bicycle for storage is not recommended.

Troubleshooting

Cause	Corrective measures
 <p>Battery defective</p>	<p>Two LEDs flash on the battery. Contact an authorized bike dealership.</p>
 <p>Battery too warm or too cold</p>	<p>Three LEDs flash on the battery. Disconnect the battery from the charger until the charging temperature range has been reached. Do not reconnect the battery to the charger until it has reached the correct charging temperature.</p>
 <p>The charger is not charging.</p>	<p>No LEDs flashing (one or more LEDs will remain permanently lit depending on the state of charge of the eBike battery). Contact an authorized bike dealership.</p>
Charging not possible (no indicator on battery)	
Connector not attached properly	Check all connections.
Battery contacts dirty	Carefully clean the battery contacts.
Socket outlet, cable or charger defective	Check the mains voltage, have the charger checked over by a bike dealership.
Battery defective	Contact an authorized bike dealership.

Battery Recycling Program



The drive unit, on-board computer incl. operating unit, battery, speed sensor, accessories and packaging should be disposed of in an environmentally correct manner.

Do not dispose of eBikes and their components with household waste.

Tape or mask off the contact surfaces of the battery pack's terminals with adhesive tape before disposing of battery packs.

Do not touch severely damaged eBike batteries with your bare hands – electrolyte may escape and cause skin irritation. Store the defective battery in a safe location outdoors. Cover the terminals if necessary and inform your dealer. They will help you to dispose of it properly.



You may recycle your Bosch battery pack by calling 1.800.822.8837.

Table des matières

Introduction	2
À propos des avertissements.....	2
Avertissements généraux.....	2
Utilisez votre notice d'utilisation	3
Étiquettes d'avertissement sur le produit	4
Utilisation de la batterie Lithium-Ion	5
Consignes de sécurité pour les batteries de VAE Bosch	5
Description des prestations et du produit.....	7
Montage.....	9
Fonctionnement.....	13
Transport	13
Maintenance/nettoyage.....	14
Stockage.....	15
Résolution des problèmes	16
Programme de recyclage des accus.....	17

Introduction

À propos des avertissements

Cette notice contient de nombreuses mentions de danger de type **DANGER, AVERTISSEMENT** et **ATTENTION** destinées à attirer l'attention sur les conséquences d'erreurs, dans le but d'utiliser, d'assembler, d'entretenir, de conserver et d'éliminer dans les règles et en toute sécurité les vélos électriques dotés d'un système eBike Bosch.

– Le symbole de sécurité et le mot **DANGER** signalent une situation à risque élevé, qui entraîne inévitablement des blessures graves, voire la mort, si elle n'est pas évitée.

– Le symbole de sécurité et le mot **AVERTISSEMENT** signalent une situation à risque élevé, pouvant entraîner des blessures graves, voire la mort, si elle n'est pas évitée.

– Le symbole de sécurité et le mot **ATTENTION** signalent une situation à risque modéré pouvant entraîner des blessures légères ou modérées si elle n'est pas évitée.

Avertissements généraux



Lisez tous les avertissements de sécurité et toutes les instructions. Le fait de ne pas respecter les avertissements et les instructions peut entraîner des blessures graves ou mortelles.

Conservez tous les avertissements et toutes les instructions pour pouvoir s'y reporter ultérieurement.

Le terme **accu** utilisé dans la présence notice d'utilisation désigne un accu/une batterie d'eBike Bosch d'origine.

▲ AVERTISSEMENT

- ▶ **Cette notice contient d'importantes informations sur la sécurité, les performances et l'entretien.** Veuillez la lire avant d'utiliser votre vélo pour la première fois, et la conserver pour référence ultérieure. Vous pouvez également retrouver cette notice en ligne à l'adresse www.bosch-ebike.com.
- ▶ **Cette notice est destinée à être lue conjointement avec le manuel utilisateur séparé fourni avec votre vélo.** Assurez-vous de lire tous les documents fournis y compris les étiquettes apposées sur le produit avant la première utilisation.

▶ **Lisez TOUS les manuels et TOUTES les notices jointes avant d'utiliser votre vélo pour la première fois.** Votre système d'entraînement Bosch est livré avec d'autres manuels et documents fournis par le fabricant du vélo et des autres éléments. Ne pas lire ou ne pas comprendre les informations de sécurité peut entraîner des blessures graves ou mortelles.

▶ **Assumez la responsabilité de votre propre SÉCURITÉ.** En cas de question ou d'incompréhension, contactez votre revendeur ou le fabricant du vélo ou de l'élément.

▶ **Certains accessoires de l'eBike peuvent présenter un risque d'étouffement pour les petits enfants.** Conservez ces accessoires hors de portée des enfants.

▲ ATTENTION

▶ **Le système d'entraînement Bosch alourdit votre vélo. Vous n'avez peut-être pas l'habitude de le soulever.** Évitez de vous blesser en utilisant des techniques de levage appropriées.

Utilisez votre notice d'utilisation

Nous nous réservons le droit d'apporter à tout moment des modifications au logiciel pour corriger des erreurs ou pour modifier les fonctionnalités décrites dans la présente notice.

Graphiques

Le vélo illustré dans cette notice peut être légèrement différent de votre vélo, mais il est suffisamment similaire pour vous permettre de comprendre nos instructions.

Les côtés DROIT et GAUCHE sont déterminés en se plaçant en situation, dans le sens de la marche du vélo. Lorsqu'une ligne en pointillé (-----) apparaît, l'élément auquel il est fait référence n'est pas visible.

Étiquettes d'avertissement sur le produit



<p>⚠ WARNING To reduce the risk of injury, explosion, or fire, user must read instruction manual. • Do not crush, puncture, disassemble, short terminals, or dispose in fire. • Do not use battery once it has been impacted, sustained water damage or visibly damaged. • Charge battery only with Bosch eBike chargers.</p>	<p>⚠ AVERTISSEMENT L'utilisateur doit lire le mode d'emploi pour réduire le risque de blessure, explosion ou d'incendie. • Ne pas écraser, perforer, démonter, court-circuiter les bornes ou jeter dans un feu. • Ne pas réutiliser la pile si elle a subi un choc, des dégâts causés par l'eau ou d'autres dommages visibles. • Ne charger la pile qu'avec un chargeur Bosch eBike.</p>
--	---

<p>▲ 警告 使用前に取扱説明書を読むこと 専用充電器を使用すること 分解、改造、端子の短絡、火気への投入禁止 車で運搬時はバッテリーを取り外すこと 故障が疑われる時は使用を停止する</p>	<p>▲ 주의사항: 1. 사용 전 반드시 사용설명서를 읽어주시기 바랍니다. 2. 비오는 날이나 가연성 폭발물 근처에서는 사용하지 마세요.</p>
--	--

► **Des étiquettes d'avertissement ont été placées sur le système eBike de Bosch pour votre sécurité. Lisez attentivement et observez les consignes figurant sur ces étiquettes. Au cas où une étiquette venait à se décoller ou à devenir illisible, adressez-vous à votre revendeur Bosch pour obtenir une étiquette de remplacement.**
Les étiquettes de sécurité de rechange sont fournies gratuitement par Bosch.

Utilisation de la batterie Lithium-Ion

Consignes de sécurité pour les batteries de VAE Bosch



Lisez et comprenez tous les avertissements et toutes les instruc-

tions. Le fait de ne pas respecter les avertissements ci-dessous peut entraîner des blessures graves ou mortelles.

Conservez tous les avertissements et toutes les instructions pour pouvoir s'y reporter ultérieurement.

Le terme **accu** utilisé dans la présence notice d'utilisation désigne un accu/une batterie d'eBike Bosch d'origine.

! DANGER

- ▶ **Ne perforez pas ou n'écrasez pas la batterie. Ne soumettez pas la batterie à des chocs violents et ne la modifiez pas de quelque manière que ce soit.** N'utilisez plus la batterie si elle présente des dommages apparents. Elle risque alors en effet de prendre feu ou d'exploser et de causer des blessures graves voir mortelles.



Protégez la batterie contre la chaleur (températures > 140 °F), le feu et l'immersion dans l'eau. Risque d'explosion.

! AVERTISSEMENT

- ▶ **Utilisez seulement des batteries Bosch agréées par le fabricant pour votre VAE et achetées auprès d'un vendeur crédible.** L'utilisation de batteries non agréées ou contrefaites risque causer des blessures graves voir mortelles.
- ▶ **Retirez la batterie avant d'entreprendre des travaux (réparation, montage, entretien, travaux au niveau de la chaîne etc.) sur le vélo électrique, de la transporter en voiture ou en avion ou avant de la ranger pour une durée prolongée.** Une activation involontaire du système eBike risque de provoquer des blessures.
- ▶ **N'ouvrez pas la batterie.** Risque de court-circuit. L'ouverture de la batterie entraîne l'annulation de la garantie.
- ▶ **Lorsque la batterie n'est pas utilisée, tenez-la à l'écart de tout objet métallique (trombones, pièces de monnaie, clés, clous, vis ou autres objets de petite taille) susceptible de créer un court-circuit entre les contacts.** La mise en court-circuit des bornes de contact d'une batterie peut causer des brûlures ou un incendie. La garantie de Bosch ne joue pas pour les dommages consécutifs à la mise en court-circuit des contacts.
- ▶ **Évitez les contraintes mécaniques ou les forts échauffements.** Ils risqueraient d'endommager les cellules de la batterie ou de provoquer des fuites de matières inflammables.
- ▶ **Ne placez jamais le chargeur et la batterie à proximité de matériaux inflammables. Ne chargez les batteries qu'à l'état sec et dans un endroit résistant au feu.** En s'échauffant, le chargeur peut provoquer un incendie.
- ▶ **Ne laissez pas la batterie de votre vélo électrique sans surveillance pendant sa charge.**
- ▶ **En cas d'utilisation inappropriée, du liquide peut suinter de la batterie. Évitez tout contact avec ce liquide. En cas de contact accidentel, rincez abondamment à l'eau. Si le liquide entre en contact avec les yeux, consultez en plus un médecin dans les meilleurs délais.** Le liquide qui s'échappe de la batterie peut causer des irritations ou des brûlures.
- ▶ **Les batteries ne doivent subir aucun choc mécanique.** Ils risquent sinon d'être endommagés.
- ▶ **En cas d'endommagement ou d'utilisation non conforme de la batterie, des vapeurs peuvent s'échapper. Ventilez le local et consultez un mé-**

decin en cas de malaise. Les vapeurs peuvent irriter les voies respiratoires.

- ▶ **Ne rechargez la batterie qu'avec un chargeur d'origine Bosch.** En cas d'utilisation d'un chargeur autre qu'un chargeur d'origine Bosch, un risque d'incendie ne peut pas être exclu.
- ▶ **N'utilisez la batterie que sur des vélos électriques équipés d'un système d'entraînement eBike d'origine Bosch.** Tout risque de surcharge dangereuse sera alors exclu.
- ▶ **N'utilisez que les batteries d'origine Bosch autorisées par le fabricant de votre vélo électrique.** L'utilisation de toute autre batterie peut entraîner des blessures et des risques d'incendie. Bosch décline toute responsabilité et exclut tout droit à garantie en cas d'utilisation d'autres batteries.
- ▶ **Lisez et respectez les consignes de sécurité et les instructions de toutes les notices d'utilisation du système eBike, ainsi que la notice d'utilisation de votre eBike.**
- ▶ **Gardez la batterie hors de portée des enfants.**

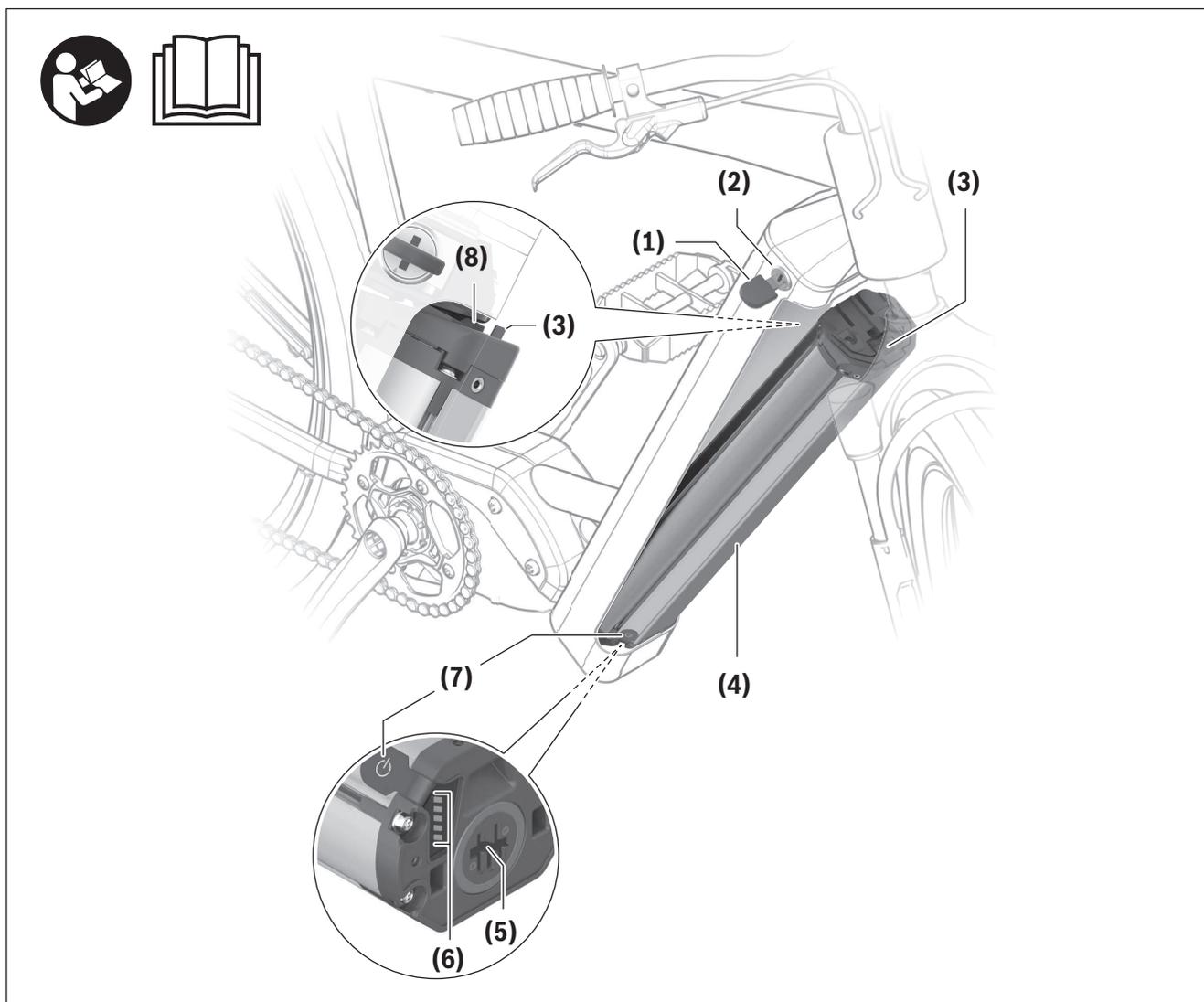
Nous attachons une grande importance à la sécurité de nos clients et produits. Nos batteries pour VAE sont conçues et fabriquées conformément à l'état actuel de la technique. Ils respectent et même dépassent les normes de sécurité en vigueur. À l'état chargé, ces batteries Lithium-Ion ont une densité énergétique élevée. Lorsqu'elles sont défectueuses (souvent pas reconnaissable de l'extérieur), les batteries Lithium-Ion risquent dans certaines conditions défavorables de s'enflammer.

Remarque relative à la protection des données

Lors de la connexion du vélo électrique au **Bosch DiagnosticTool 3**, des données sur l'utilisation des batteries Bosch (température, tension des cellules, etc.) sont transmises à la société Bosch eBike Systems (Robert Bosch GmbH) à des fins d'amélioration des produits. Pour en savoir plus, rendez-vous sur le site Bosch www.bosch-ebike.com.

Description des prestations et du produit

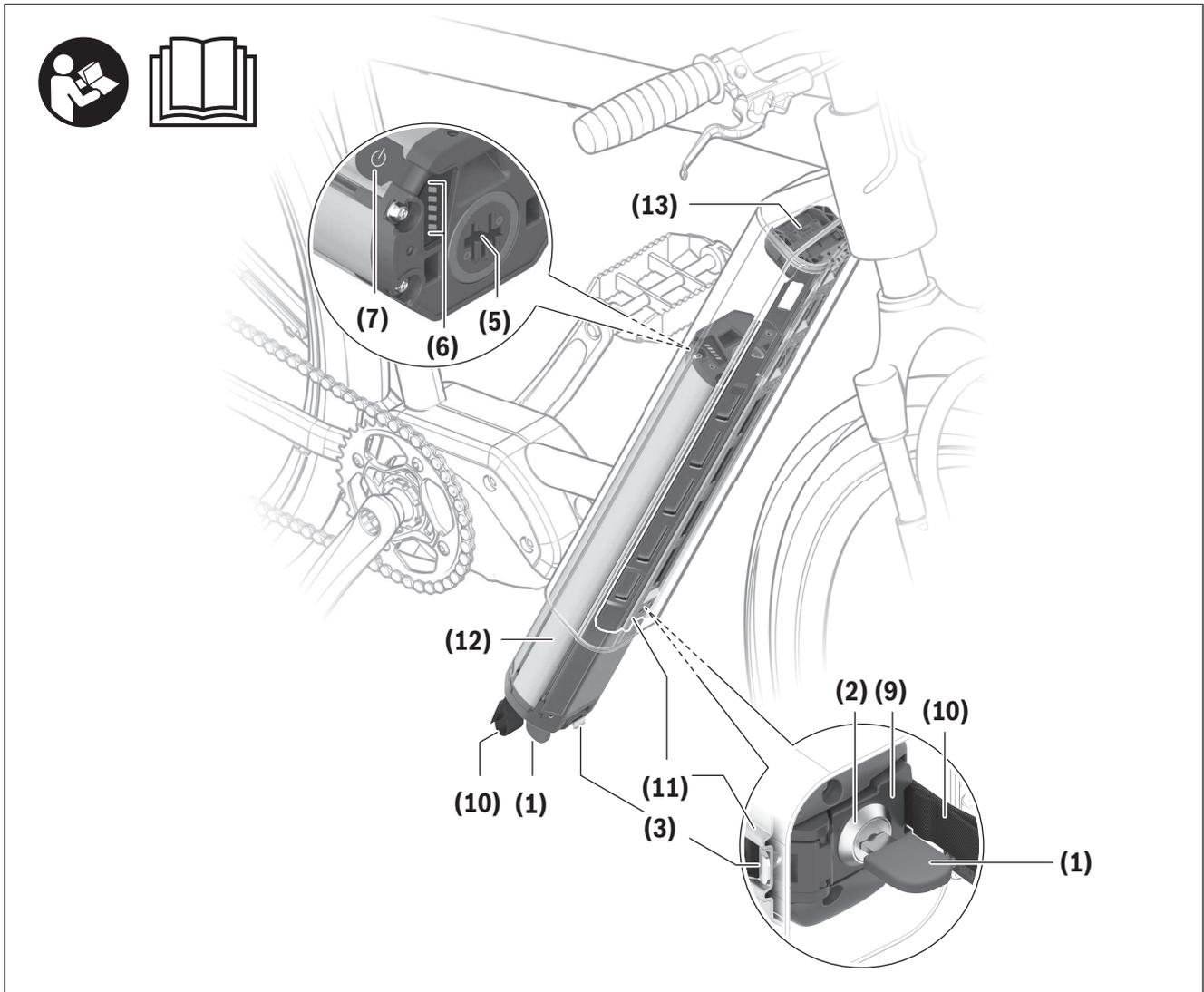
Caractéristiques des batteries PowerTube



Toutes les représentations des éléments du vélo, à l'exception des éléments de l'eBike, sont schématiques et peuvent être différentes de votre eBike.

- (1)** Clé de serrure de la batterie
- (2)** Serrure de batterie
- (3)** Crochet de sécurité sur batterie PowerTube

- (4)** Batterie PowerTube (pivotante)
- (5)** Prise de charge
- (6)** Indicateur de fonctionnement et d'état de charge
- (7)** Touche Marche/Arrêt
- (8)** Dispositif de retenue de la batterie PowerTube



Toutes les représentations des éléments du vélo, à l'exception des éléments de l'eBike, sont schématiques et peuvent être différentes de votre eBike.

- (1)** Clé de serrure de la batterie
- (2)** Serrure de batterie
- (3)** Crochet de sécurité sur batterie PowerTube
- (5)** Prise de charge
- (6)** Indicateur de fonctionnement et d'état de charge
- (7)** Touche Marche/Arrêt
- (9)** Verrouillage
- (10)** Boucle de traction

- (11)** Glissière axiale
- (12)** Batterie PowerTube (axiale)
- (13)** Fixation supérieure pour batterie PowerTube axiale

Utilisation conforme

Les batteries de VAE Bosch sont uniquement conçues pour l'alimentation électrique de votre unité d'entraînement eBike ; toute autre utilisation est interdite.

Caractéristiques techniques

Batterie Lithium-ion		PowerTube 750
Code produit	horizontale	BBP3775
Code produit	verticale	BBP3776
Tension nominale	V=	36
Capacité nominale	Ah	20,1
Énergie	Wh	750 ^{A)}

Batterie Lithium-ion	PowerTube 750	
Températures de fonctionnement	°F	23 ... 104
Températures de stockage	°F	50 ... 104
Plage admissible de températures de charge	°F	32 ... 104
Poids (approx.)	lbs	9,7
Indice de protection		IP54

A) La capacité énergétique indiquée pour la batterie est une approximation. Du fait des tolérances de fabrication, la capacité mesurée peut différer de la capacité indiquée.

Montage

- **Ne posez la batterie que sur des surfaces propres.** Évitez tout encrassement de la prise de charge et des contacts électriques, par ex. par du sable ou de la terre.

Contrôler la batterie avant sa première utilisation

Contrôlez la batterie avant de la recharger ou de l'utiliser la première fois avec votre vélo électrique.

Appuyez pour cela sur la touche Marche/Arrêt **(7)** pour mettre la batterie en marche. Si aucune des LED de l'indicateur d'état de charge **(6)** ne s'allume, il se peut que la batterie soit endommagée.

Si au moins une, mais pas la totalité des LED de l'indicateur d'état de charge **(6)** s'allume, alors rechargez la batterie à fond avant la première utilisation.

- **Ne chargez pas une batterie endommagée et ne l'utilisez pas.** Adressez-vous à un vélociste agréé.

Recharge de la batterie

- **Ne rechargez une batterie de VAE Bosch qu'avec un chargeur de VAE Bosch d'origine.**

Remarque : La batterie est fournie partiellement chargée. Pour disposer de la pleine puissance de la batterie, rechargez-la complètement dans le chargeur avant sa première utilisation.

Pour charger la batterie, lisez et respectez la notice d'utilisation du chargeur.

La batterie peut être rechargée quel que soit son niveau de charge. Le fait d'interrompre le processus de charge n'endommage pas la batterie.

La batterie est dotée d'une surveillance de température interdisant toute recharge de la batterie en dehors de la plage de températures allant de **32 °F** à **104 °F**.



Si la batterie se trouve à l'extérieur de la plage de températures admissible, trois LED de l'indicateur d'état de charge **(6)** clignotent. Débranchez la batterie du chargeur et attendez qu'elle revienne dans la plage de températures admissible.

⚠ ATTENTION

- **Ne connectez pas la batterie au chargeur avant qu'elle ait atteint la température de charge admissible.**

Indicateur d'état de charge

Les cinq LED de l'indicateur d'état de charge **(6)** indiquent le niveau de charge de la batterie, quand celle-ci est allumée.

Chaque LED correspond à environ 20 % de niveau de charge. Quand la batterie est complètement rechargée, les cinq LED sont allumées.

Le niveau de charge de la batterie s'affiche en outre sur l'écran de l'ordinateur de bord quand celle-ci est activée. Lisez et observez la notice d'utilisation de l'unité de commande et de l'ordinateur de bord.

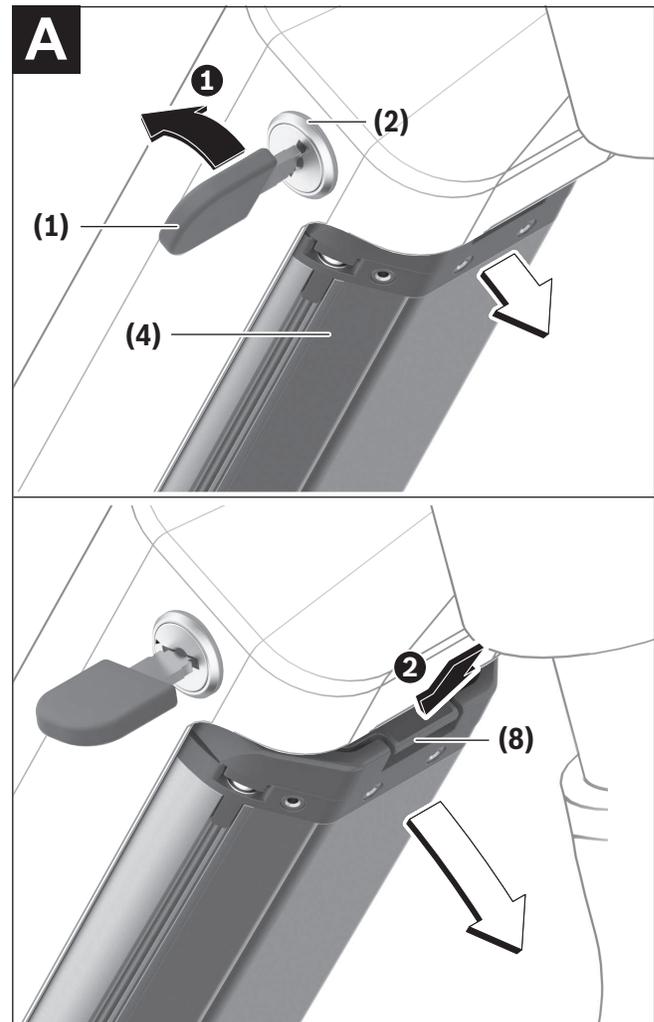
Quand le niveau de charge de la batterie est inférieur à 5 %, toutes les LED de l'indicateur d'état de charge **(6)** sont éteintes mais il reste encore une fonction d'affichage sur l'ordinateur de bord.

Au terme de la charge, déconnectez la batterie du chargeur et le chargeur du secteur.

Mise en place et retrait de la batterie

- **Toujours arrêter le système eBike et éteindre la batterie pour insérer celle-ci dans sa fixation ou l'extraire de sa fixation.**

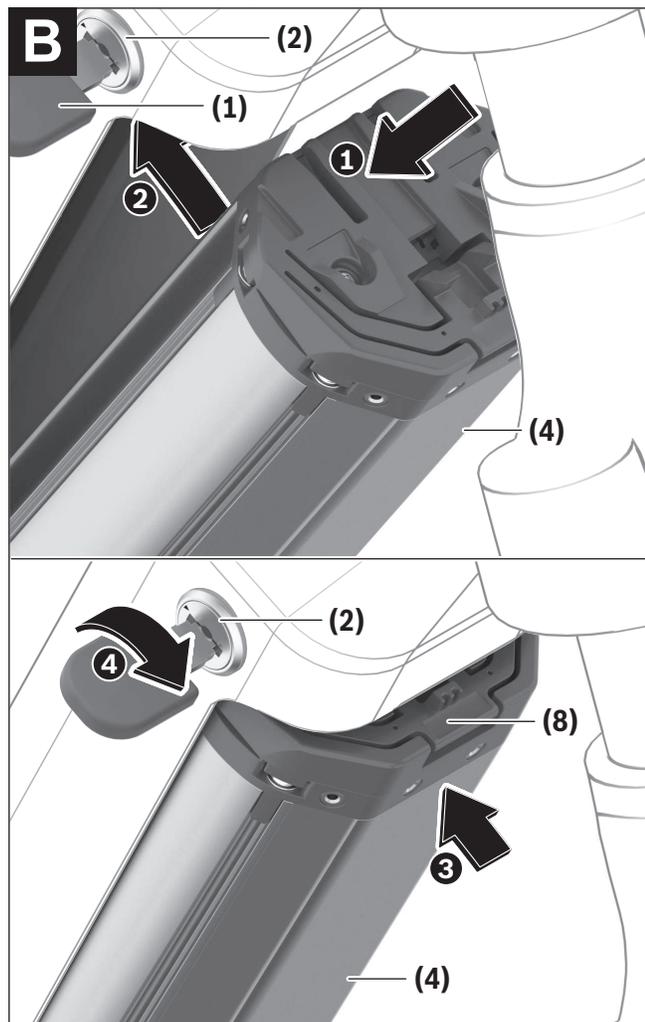
Retrait de la batterie PowerTube (pivotante) (voir figure A)



- ➊ Pour retirer la batterie PowerTube **(4)**, ouvrez la serrure **(2)** avec la clé **(1)**. La batterie se déverrouille et tombe dans le support de retenue **(8)**.
- ➋ Appuyez par le haut sur le support de retenue : la batterie se déverrouille complètement et tombe dans votre main. Dégagez la batterie du cadre.

Remarque : En raison de **différences** possibles au niveau de la réalisation, il se peut que la marche à suivre pour la mise en place et le retrait de la batterie diffère quelque peu. Lisez pour cela la notice d'utilisation de votre vélo électrique.

Mise en place de la batterie PowerTube (pivotante) (voir figure B)



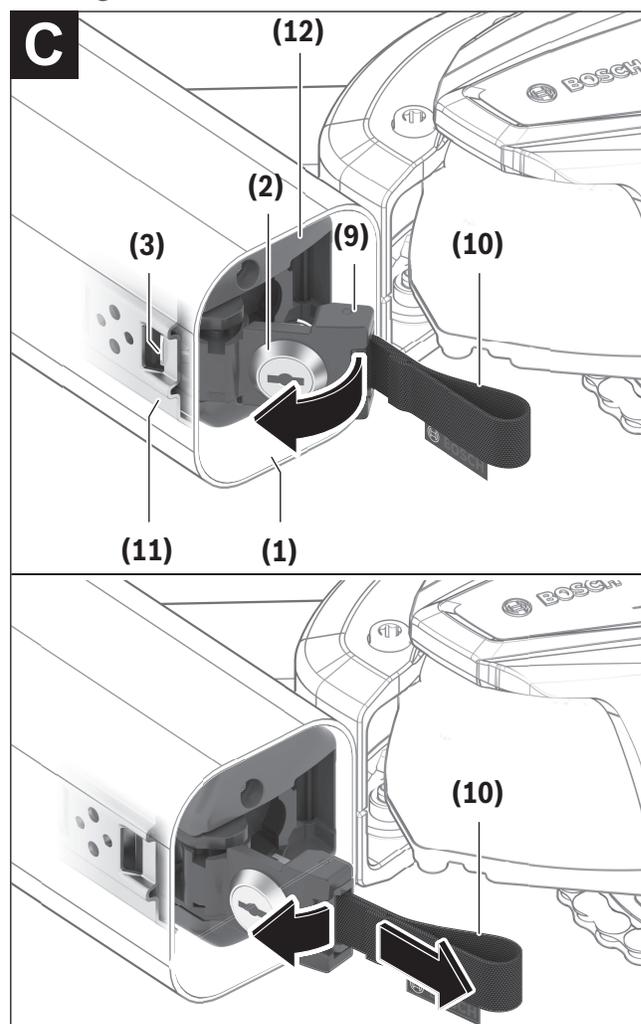
Pour pouvoir mettre en place la batterie, la clé **(1)** doit se trouver dans la serrure **(2)** et la serrure doit être ouverte.

- 1** Pour mettre en place la batterie PowerTube **(4)**, positionnez-la, côté contacts électriques, dans le support de fixation inférieur du cadre.
- 2** Rabattez la batterie vers le haut jusqu'à ce qu'elle soit maintenue en place par le support de retenue **(8)**.
- 3** Maintenez la serrure ouverte avec la clé et poussez la batterie vers le haut jusqu'à ce qu'elle s'en-

clenche de manière audible. Assurez-vous de la bonne fixation de la batterie.

- 4** Fermez ensuite toujours la serrure **(2)** pour que la batterie ne puisse pas s'extraire de sa fixation. Après avoir fermé la serrure à clé, retirez toujours la clé **(1)** de la serrure **(2)**. La clé ne risque ainsi pas de tomber et la batterie ne peut pas être retirée par une tierce personne quand le vélo électrique est garé.

Retrait de la batterie PowerTube (axiale) (voir figure C)

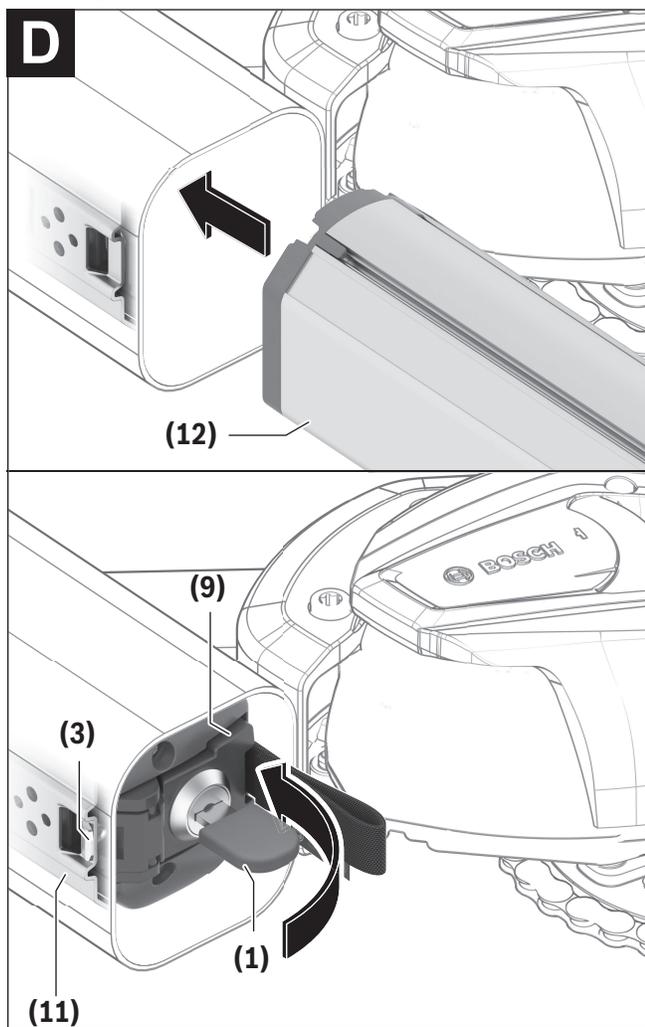


- 1** Pour retirer la batterie PowerTube **(12)**, ouvrez la serrure **(2)** avec la clé **(1)**, retirez la clé **(1)** et rabattez le verrouillage **(9)** vers le côté.

- ② Sortez la batterie **(12)** du cadre en tirant sur la boucle de traction **(10)**.

Remarque : En raison de **différences** possibles au niveau de la réalisation, il se peut que la marche à suivre pour la mise en place et le retrait de la batterie diffère quelque peu. Lisez pour cela la notice d'utilisation de votre vélo électrique.

**Mise en place de la batterie PowerTube (axiale)
(voir figure D)**



- ① Pour mettre en place la batterie PowerTube, insérez-la dans le cadre avec la prise de charge **(5)** vers le haut jusqu'à ce qu'elle s'enclenche.
- ② Fermez le verrouillage **(9)**, insérez la clé **(1)** dans la serrure **(2)** et verrouillez la batterie. Veillez à ce que le crochet de sécurité **(3)** soit enclipsé au niveau de l'ouverture de la glissière axiale **(11)**.
- ③ Assurez-vous de la bonne fixation de la batterie. Après avoir fermé la serrure à clé, retirez toujours la clé **(1)** de la serrure **(2)**. La clé ne risque ainsi pas de tomber et la batterie ne peut pas être retirée par une tierce personne quand le vélo électrique est garé.

Pour que la batterie puisse être insérée, il faut que le verrouillage **(9)** soit rabattu vers le côté. La clé **(1)** ne doit à ce moment-là pas se trouver dans la serrure **(2)**.

Fonctionnement

Mise en marche

- **N'utilisez que les batteries d'origine Bosch autorisées par le fabricant de votre vélo électrique.**

L'utilisation de toute autre batterie peut entraîner des blessures et des risques d'incendie. Bosch décline toute responsabilité et exclut tout droit à garantie en cas d'utilisation d'autres batteries.

Mise en marche/arrêt

Le système eBike peut être activé de plusieurs façons : l'une d'elle consiste à mettre en marche la batterie. Lisez et observez la notice d'utilisation de l'unité de commande et de l'ordinateur de bord.

Avant de mettre en marche la batterie ou d'activer le système eBike, vérifiez si la serrure **(2)** est fermée à clé.

Pour **mettre en marche** la batterie, appuyez sur la touche Marche/Arrêt **(7)**. N'utilisez pas d'objet pointu ou tranchant pour appuyer sur la touche. Les LED de l'indicateur **(6)** s'allument et indiquent en même temps le niveau de charge.

- **Vérifiez toujours que la batterie est correctement verrouillée dans sa fixation.** Pour cela, tirez sur la batterie (après avoir retiré la clé).

Remarque : Quand le niveau de charge de la batterie est inférieur à 5 %, toutes les LED de l'indicateur d'état de charge **(6)** sont éteintes sur la batterie. Seul l'ordinateur de bord/la console déportée permet de savoir si le système eBike est activé ou non.

Pour **arrêter** la batterie, appuyez à nouveau sur la touche Marche/Arrêt **(7)**. Les LED de l'indicateur **(6)** s'éteignent. Le système eBike se désactive alors aussi.

Si le système eBike n'est pas sollicité pendant **10** minutes (du fait par ex. que le vélo est à l'arrêt) et que dans le même temps aucune touche de l'ordinateur de bord ou de la console déportée de votre vélo électrique n'est actionnée, le système eBike s'arrête automatiquement.

La batterie est protégée contre les décharges complètes, les surcharges, la surchauffe et les courts-circuits par "Electronic Cell Protection (ECP)" (l'électronique de protection des cellules). En cas de danger, un circuit de protection arrête automatiquement la batterie.



En cas de détection d'un défaut au niveau de la batterie, deux LED de l'indicateur d'état de charge **(6)** clignotent. Adressez-vous alors à un vélociste agréé.

Comportement en cas de dysfonctionnement de la batterie

Il est interdit d'ouvrir la batterie de VAE Bosch, même à des fins de réparation. La batterie risque alors de prendre feu, p. ex. suite à un court-circuit. Ce risque existe aussi ultérieurement, lors de la réutilisation d'une batterie de VAE Bosch ayant été ouverte ce serait-ce **qu'une seule** fois.

En cas de dysfonctionnement de la batterie, ne la faites pas réparer mais demandez à votre vélociste qu'il la remplace par une batterie Bosch d'origine.

Transport

⚠ AVERTISSEMENT

- **Retirez toujours l'accu du vélo avant de transporter le vélo sur un porte-vélos.** Le fait de ne pas retirer l'accu lorsque vous utilisez un porte-vélos peut entraîner des blessures graves ou mortelles.

La batterie peut se détacher pendant le transport et provoquer un accident avec les véhicules environnants.

- **Utilisez toujours un porte-vélos compatible et approuvé lorsque vous transportez votre eBike.**

Le système d'entraînement Bosch représente un poids supplémentaire pour votre vélo. Reportez-vous au manuel de votre porte-vélo pour vous assurer que votre eBike est compatible. L'excès de poids sur un porte-vélos peut entraîner des blessures graves ou mortelles.

- ▶ **Utilisez des techniques de levage correctes car les vélos électriques sont généralement plus lourds que les vélos traditionnels.**

Expédiez les accus uniquement si leur boîtier n'est pas endommagé. Protégez les contacts et emballez

l'accu de manière à ce qu'il ne puisse pas se déplacer dans l'emballage. Prévenez l'expéditeur qu'il s'agit d'un produit classé comme matière dangereuse. Veuillez également respecter les réglementations supplémentaires éventuellement en vigueur dans votre pays. Vérifiez toujours les réglementations départementales et nationales avant de tenter d'expédier votre batterie.

Pour toute question concernant le transport des batteries, adressez-vous à un vélociste agréé. Vous pouvez également commander un emballage de transport approprié auprès d'un commerçant spécialisé.

Maintenance/nettoyage

⚠ AVERTISSEMENT

- ▶ **N'ouvrez aucun élément. L'entretien doit uniquement être effectué par un revendeur eBike Bosch autorisé.** Le fait de ne pas respecter l'avertissement ci-dessus peut entraîner des blessures graves ou mortelles. Reportez-vous au manuel de votre vélo ou au manuel de l'élément pour tous les éléments ne faisant pas partie du système d'entraînement Bosch.
- ▶ **Retirez toujours l'accu avant d'inspecter un vélo, de procéder à son entretien ou à sa réparation.** Le fait de ne pas retirer l'accu avant d'inspecter un vélo, de procéder à son entretien ou à sa réparation peut entraîner des blessures graves.
- ▶ **Si vous remplacez votre batterie, achetez uniquement un accu Bosch d'origine auprès d'une source fiable et approuvée. Contactez votre revendeur eBike Bosch pour les pièces Bosch d'origine.**
- ▶ **Arrêtez toujours l'accu lorsque vous le montez ou le retirez de son support.** Ne tentez jamais de monter ni de retirer l'accu lorsque vous roulez à vélo.
- ▶ **Ne rechargez pas et n'utilisez pas votre eBike dans une zone présentant une atmosphère potentiellement explosive, par exemple dans une station-service ou dans des zones dans les-**

quelles l'air contient des produits chimiques ou des particules (telles que des grains, de la poussière ou des poudres métalliques). Respectez tous les panneaux et toutes les instructions.

- ▶ **Ne plongez pas vos composants eBike dans l'eau et ne les lavez pas avec un pulvérisateur haute pression.** Votre unité d'entraînement Bosch est conçue pour être étanche à l'eau de pluie ou à un tuyau d'arrosage sans pression.
- ▶ **Notez le nom du fabricant et le numéro de la clé.** Si vous perdez les clés, contactez un revendeur eBike Bosch autorisé. Veuillez fournir le nom du fabricant et le numéro de la clé.
- ▶ **Ne peignez aucun élément du système d'entraînement Bosch car cela peut entraîner une défaillance prématurée de l'élément.**

Service après-vente et conseil utilisateurs

Pour toutes les questions concernant le système eBike et ses éléments, adressez-vous à un vélociste agréé.

Vous trouverez les données de contact de vélocistes agréés sur le site internet www.bosch-ebike.com.

Si la batterie ne fonctionne plus, adressez-vous à un vélociste agréé.

Nettoyage

► **Ne plongez pas vos composants eBike dans l'eau et ne les lavez pas avec un pulvérisateur haute pression.** Votre unité d'entraînement Bosch est conçue pour être étanche à l'eau de pluie ou à un tuyau d'arrosage sans pression.

Maintenez tous les éléments de votre vélo électrique propres, surtout les contacts de l'accu et les supports de fixation. Ne plongez pas dans l'eau les éléments, y compris l'unité de l'entraînement et ne les nettoyez pas à l'aide d'un nettoyeur haute pression. Nettoyez-les soigneusement à l'aide d'un chiffon doux et humide (en utilisant uniquement du savon doux et de l'eau).

Stockage

La durée de vie de la batterie peut être prolongée si elle est bien entretenue et surtout si elle est utilisée et stockée à des températures appropriées.

Toutefois, en dépit d'un bon entretien, la capacité de la batterie se réduira avec l'âge.

Si l'autonomie de la batterie diminue fortement au fil des recharges, c'est que la batterie est arrivée en fin de vie et qu'elle doit être remplacée. Vous pouvez la remplacer vous-même en achetant une batterie Bosch d'origine auprès d'un vélociste agréé.

Recharge de la batterie avant et pendant son stockage

Avant une longue durée de non-utilisation de votre vélo (plus de 3 mois), rechargez la batterie à environ 30–60 % (correspond à l'allumage de 2 à 3 LED de l'indicateur de l'état de charge **(6)**).

Contrôlez le niveau de charge après 6 mois. Au cas où seule une LED de l'indicateur d'état de charge **(6)** est allumée, rechargez la batterie à environ 30–60 %.

Remarque : Une batterie qui reste déchargée pendant une durée prolongée risque de se détériorer malgré la faible autodécharge et sa capacité peut être considérablement réduite.

Il n'est pas recommandé de laisser la batterie raccordée en permanence au chargeur.

Conditions de stockage

Dans la mesure du possible, stockez la batterie dans un endroit sec et bien aéré. Protégez-la de l'humidité et de l'eau. Dans des conditions climatiques défavorables, il est recommandé de retirer la batterie du vé-

lo électrique et de la ranger dans un local fermé jusqu'à la prochaine utilisation.

Lieux de stockage préconisés pour les batteries de VAE :

- dans des locaux équipés d'un détecteur de fumées
- pas à proximité de matières combustibles ou facilement inflammables
- pas à proximité de sources de chaleur

Pour prolonger la durée de vie de la batterie de VAE, rangez-la à des températures allant de **50 °F** à **68 °F**. Évitez à tout prix les températures inférieures à **14 °F** ou supérieures à **140 °F**.

Veillez à ne pas dépasser la température de stockage maximale admissible. Ne laissez pas la batterie trop longtemps dans une voiture surtout en été et évitez toute exposition directe au soleil.

Il est recommandé de ne pas laisser la batterie sur le vélo pendant les longues périodes de non-utilisation du vélo.

Résolution des problèmes

Cause	Remède
 <p>Batterie défectueuse</p>	<p>Deux LED de la batterie clignotent. Adressez-vous à un vélociste agréé.</p>
 <p>La batterie est trop chaude ou trop froide</p>	<p>Trois LED de la batterie clignotent. Déconnectez la batterie du chargeur jusqu'à ce qu'elle revienne dans la plage de températures de charge admissible. Ne rebranchez la batterie au chargeur qu'une fois qu'elle se trouve à nouveau dans la plage de températures admissible.</p>
 <p>Le chargeur ne charge pas.</p>	<p>Aucune LED ne clignote (selon le niveau de charge de la batterie du VAE, une ou plusieurs LED sont allumées en permanence). Adressez-vous à un vélociste agréé.</p>
<p>Recharge impossible (pas d'affichage sur la batterie)</p>	
<p>Le connecteur n'est pas correctement enfiché</p>	<p>Contrôlez tous les connecteurs.</p>
<p>Contacts de la batterie encrassés</p>	<p>Nettoyez avec précaution les contacts électriques de la batterie.</p>
<p>Prise de courant, câble ou chargeur défectueux</p>	<p>Vérifiez la tension du secteur, faites contrôler le chargeur par un vélociste.</p>
<p>Batterie défectueuse</p>	<p>Adressez-vous à un vélociste agréé.</p>

Programme de recyclage des accus



L'unité d'entraînement, l'ordinateur de bord et son unité de commande, la batterie, le capteur de vitesse, les accessoires et l'emballage doivent être triés afin d'être recyclés de façon respectueuse de l'environnement.

Ne jetez pas les systèmes eBike et leurs éléments constitutifs dans les ordures ménagères !

Avant de mettre au rebut une batterie, appliquez du ruban adhésif autour des surfaces de contact des pôles.

Ne saisissez pas les batteries de VAE fortement endommagées avec les mains car de l'électrolyte risque de s'échapper et de provoquer des brûlures de la peau. Conservez la batterie défectueuse dans un lieu sûr à l'extérieur. Recouvrez les pôles avec du ruban adhésif et informez votre revendeur. Il vous indiquera comment vous débarrasser de la batterie en conformité avec la législation.



Pour recycler votre batterie Bosch, appelez le 1.800.822.8837.

Índice

Introducción	2
Acerca de las advertencias	2
Advertencias generales	2
Utilización de sus Instrucciones de servicio	3
Etiquetas de advertencia en el producto	4
Manejo de las baterías de litio	5
Indicaciones de seguridad para acumuladores de eBikes de Bosch	5
Descripción del producto y servicio	7
Montaje.....	9
Operación	13
Transporte.....	13
Mantenimiento/Limpieza	14
Almacenamiento	15
Resolución de problemas	16
Programa de reciclaje de baterías	17

Introducción

Acerca de las advertencias

Este manual contiene muchos **PELIGROS**, **ADVERTENCIAS**, y **PRECAUCIONES** sobre las consecuencias de una falta de uso, montaje, mantenimiento, almacenamiento, inspección y eliminación de una eBike equipada por Bosch de modo seguro.

- La combinación del símbolo de alerta de seguridad y la palabra **PELIGRO** indica una situación peligrosa que, si no se evita, ocasionará la muerte o lesiones graves.

- La combinación del símbolo de alerta de seguridad y la palabra **ADVERTENCIA** indica una situación peligrosa que, si no se evita, podría provocar la muerte o lesiones graves.
- La combinación del símbolo de alerta de seguridad y la palabra **PRECAUCIÓN** indica una situación peligrosa que, si no se evita, podría ocasionar lesiones leves o moderadas.

Advertencias generales



Lea íntegramente todas las indicaciones de seguridad e instrucciones. No seguir las advertencias e instrucciones siguientes puede provocar la muerte o lesiones graves.

Guarde todas las indicaciones de seguridad e instrucciones para posibles consultas futuras.

El término **batería** empleado en este manual del usuario se refiere a todas las baterías para eBike originales de Bosch.

▲ ADVERTENCIA

- ▶ **Este manual contiene información importante de seguridad, rendimiento y mantenimiento.** Léalo antes de usar su nueva bicicleta y guárdelo a modo de referencia. Puede encontrar el manual también en línea en www.bosch-ebike.com.
- ▶ **Este manual está previsto para su lectura junto con el manual de usuario aparte que venía con su bicicleta.** Antes de usar la bici por primera vez, asegúrese de leer toda la documentación facilitada, incluidas las etiquetas que lleva el producto.
- ▶ **Lea TODOS los manuales incluidos antes de montar en la bicicleta por primera vez.** Su sistema de accionamiento de Bosch incluye manuales y documentación adicionales proporcionados por el fabricante de la bicicleta y de otros componentes.

No leer o desconocer la información de seguridad puede provocar la muerte o lesiones graves.

- ▶ **Por su propia SEGURIDAD, sea responsable.** Si tiene dudas o no entiende algo, consúltelo con su distribuidor o con el fabricante de la bicicleta o del componente.
- ▶ **Algunos accesorios de la eBike pueden suponer un peligro de atragantamiento para los niños pequeños.** Mantenga esos accesorios alejados de los niños.

▲ PRECAUCIÓN

- ▶ **El sistema de accionamiento de Bosch incrementa el peso de su bicicleta, que puede que no esté acostumbrado a levantar.** Evite las lesiones; utilice técnicas de elevación adecuadas.

Utilización de sus Instrucciones de servicio

Además de las funciones aquí representadas, puede ser que se introduzcan en cualquier momento modificaciones de software para la eliminación de errores y modificaciones de funciones.

Gráficos

La bicicleta que se muestra en este manual puede diferir ligeramente de la suya; no obstante, las similitudes son suficientes para ayudarle a entender nuestras instrucciones.

Los lados DERECHO e IZQUIERDO se indican mirando en el sentido que la bicicleta tendrá al circular hacia delante. Si ve una línea discontinua (-----), el elemento al que se refiere está oculto a la vista.

Etiquetas de advertencia en el producto



<p>⚠ WARNING To reduce the risk of injury, explosion, or fire, user must read instruction manual. • Do not crush, puncture, disassemble, short terminals, or dispose in fire. • Do not use battery once it has been impacted, sustained water damage or visibly damaged. • Charge battery only with Bosch eBike chargers.</p>	<p>⚠ AVERTISSEMENT L'utilisateur doit lire le mode d'emploi pour réduire le risque de blessure, explosion ou d'incendie. • Ne pas écraser, perforer, démonter, court-circuiter les bornes ou jeter dans un feu. • Ne pas réutiliser la pile si elle a subi un choc, des dégâts causés par l'eau ou d'autres dommages visibles. • Ne charger la pile qu'avec un chargeur Bosch eBike.</p>
--	---

<p>▲ 警告 使用前に取扱説明書を読むこと 分解、改造、端子の短絡、火気への投入禁止 故障が疑われる時は使用を停止する</p>	<p>▲ 専用充電器を使用すること 車で運搬時はバッテリーを取り外すこと</p>	<p>▲ 주의사항: 1. 사용 전 반드시 사용설명서를 읽어주시기 바랍니다. 2. 비오는 날이나 가연성 폭발물 근처에서는 사용하지 마세요.</p>
--	--	--

- Para la protección del usuario, se han colocado etiquetas de advertencia en el sistema eBike de Bosch. Lea y siga las instrucciones de las etiquetas del producto con atención. Si una etiqueta deja de ser legible o se despega, póngase en contacto con su proveedor de bicicletas de Bosch para obtener otra de repuesto. Bosch proporciona etiquetas de seguridad de repuesto de forma gratuita.

Manejo de las baterías de litio

Indicaciones de seguridad para acumuladores de eBikes de Bosch



Lea y conozca todas las indicaciones de seguridad y las instrucciones.

No seguir las advertencias siguientes puede provocar la muerte o lesiones graves.

Guarde todas las indicaciones de seguridad e instrucciones para posibles consultas futuras.

El término **batería** empleado en este manual del usuario se refiere a todas las baterías para eBike originales de Bosch.

⚠ PELIGRO

- ▶ **No perfore ni aplaste el paquete de baterías. No afecte ni modifique de ninguna manera el paquete de baterías.** No use el paquete de baterías si muestra daños visibles. Existe peligro de incendio o explosión que puede causar la muerte o lesiones graves.



Proteja la batería contra el calor (p.ej. temperatura > 140 °F), fuego e inmersión en agua. Peligro de explosión.

⚠ ADVERTENCIA

- ▶ **Utilice solo paquetes de baterías originales de Bosch aprobados para su eBike por el fabricante y comprados en una fuente confiable.** El uso de paquetes de baterías no aprobados o falsificados puede provocar la muerte o lesiones graves.
- ▶ **Extraiga el acumulador de la eBike antes de empezar cualquier trabajo en ella (p. ej. inspección, reparación, montaje, mantenimiento, trabajos en la cadena, etc.), al transportarla con el coche o en un avión o en caso de almacenarla.** Existe peligro de lesiones si se activa involuntariamente el sistema eBike.
- ▶ **No intente abrir el acumulador.** Podría provocar un cortocircuito. Si se abre el acumulador se denegará la garantía.
- ▶ **Si no utiliza el acumulador, guárdelo separado de clips, monedas, llaves, clavos, tornillos o demás objetos metálicos que pudieran puentear sus contactos.** El cortocircuito de los contactos del acumulador puede causar quemaduras o un incendio. En los daños derivados de un cortocircuito por los motivos antedichos Bosch anula cualquier derecho a garantía.
- ▶ **Evite las cargas mecánicas o una fuerte acción del calor.** Ésto podría dañar los elementos de batería y conducir a la salida de materiales contenidos inflamables.
- ▶ **Mantenga el cargador y el acumulador alejados de cualquier material inflamable. Cargue los acumuladores siempre en lugares secos y protegidos contra incendios.** Existe riesgo de incendio si se produce un aumento de la temperatura durante la carga.
- ▶ **No debe dejarse cargando la batería de la eBike sin la debida vigilancia.**
- ▶ **La utilización inadecuada del acumulador puede provocar fugas de líquido. Evite el contacto con él. En caso de un contacto enjuagar con abundante agua. En caso de un contacto del líquido con los ojos recurra además inmediatamente a un médico.** El líquido del acumulador puede irritar la piel o producir quemaduras.
- ▶ **Los acumuladores no deben estar expuestos a golpes mecánicos.** Existe el riesgo de que el acumulador se dañe.
- ▶ **Si se daña el acumulador o se utiliza de forma indebida, pueden salir vapores. En tal caso, busque un entorno con aire fresco y acuda a un mé-**

dico si nota molestias. Los vapores pueden irritar las vías respiratorias.

- ▶ **Cargue el acumulador solamente con cargadores originales de Bosch.** Al utilizar cargadores que no sean originales Bosch no puede excluirse un peligro de incendio.
- ▶ **Utilice el acumulador únicamente en combinación con eBikes con sistema de propulsión de eBike original de Bosch.** Solamente así queda protegido el acumulador frente a una sobrecarga peligrosa.
- ▶ **Utilice únicamente acumuladores originales Bosch autorizados por el fabricante para su eBike.** El uso de otro tipo de acumuladores puede acarrear lesiones e incluso un incendio. Si se aplican acumuladores de otro tipo Bosch declina cualquier responsabilidad y el derecho a garantía.
- ▶ **Lea y siga todas las indicaciones de seguridad e instrucciones de todos los manuales de uso del sistema eBike, así como las instrucciones de uso de su eBike.**
- ▶ **Mantenga el acumulador alejado de los niños.**

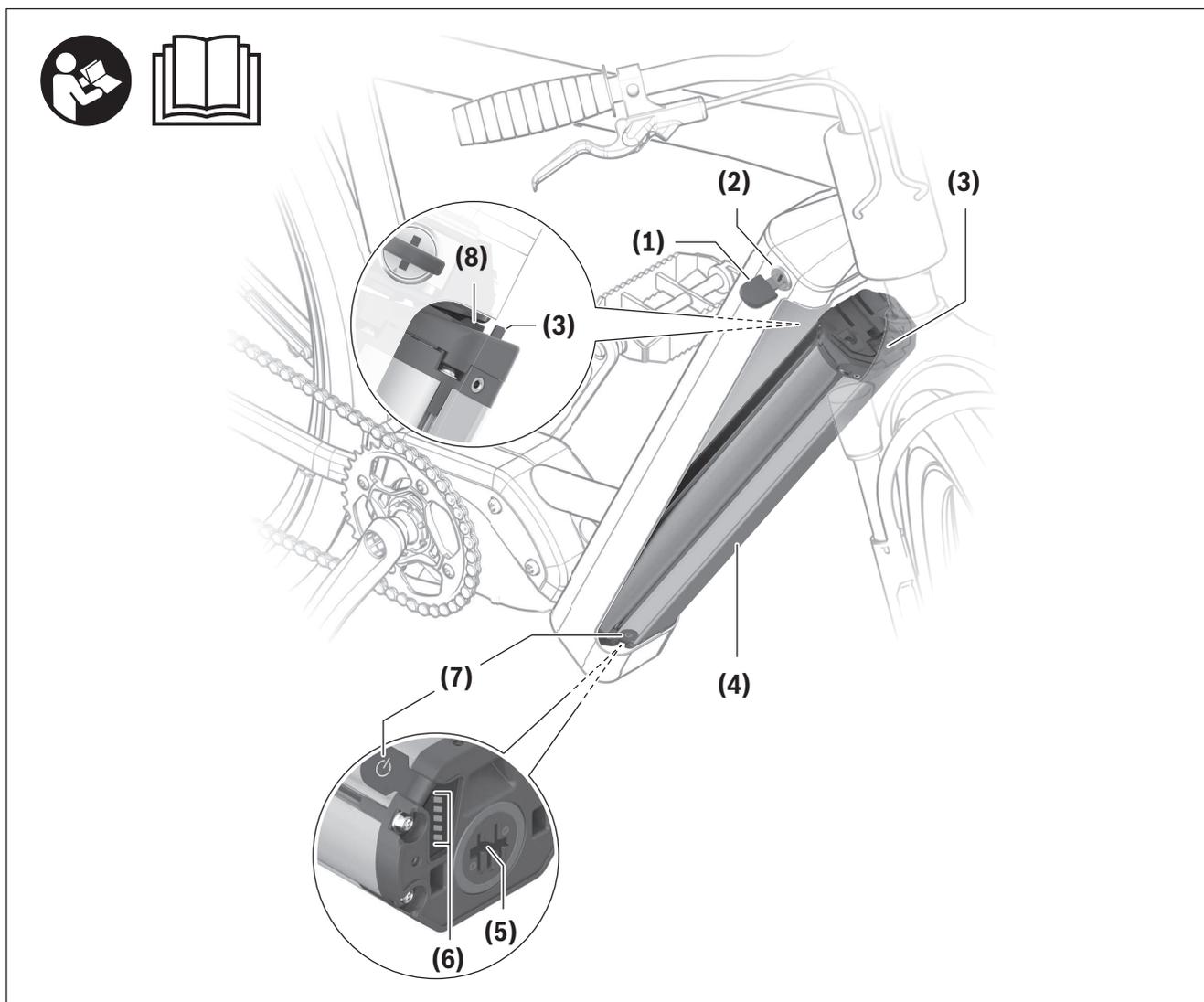
Para nosotros es muy importante la seguridad de nuestros clientes y productos. Nuestros acumuladores para eBike son acumuladores de iones de litio que se han desarrollado y fabricado según el estado de la técnica. Cumplimos o superamos los estándares de seguridad pertinentes. En estado cargado, estos acumuladores de iones de litio tienen un alto contenido de energía. En el caso de un defecto (posiblemente no detectable desde el exterior), los acumuladores de iones de litio pueden incendiarse en casos muy raros y en circunstancias desfavorables.

Indicación de protección de datos

Al conectar la eBike al **Bosch DiagnosticTool 3** y con el fin de mejorar el producto, se transmiten datos sobre el uso de los acumuladores para eBike Bosch (entre otros, temperatura, tensión de elementos, etc.) a Bosch eBike Systems (Robert Bosch GmbH). Para más información, visite la página web de eBike de Bosch www.bosch-ebike.com.

Descripción del producto y servicio

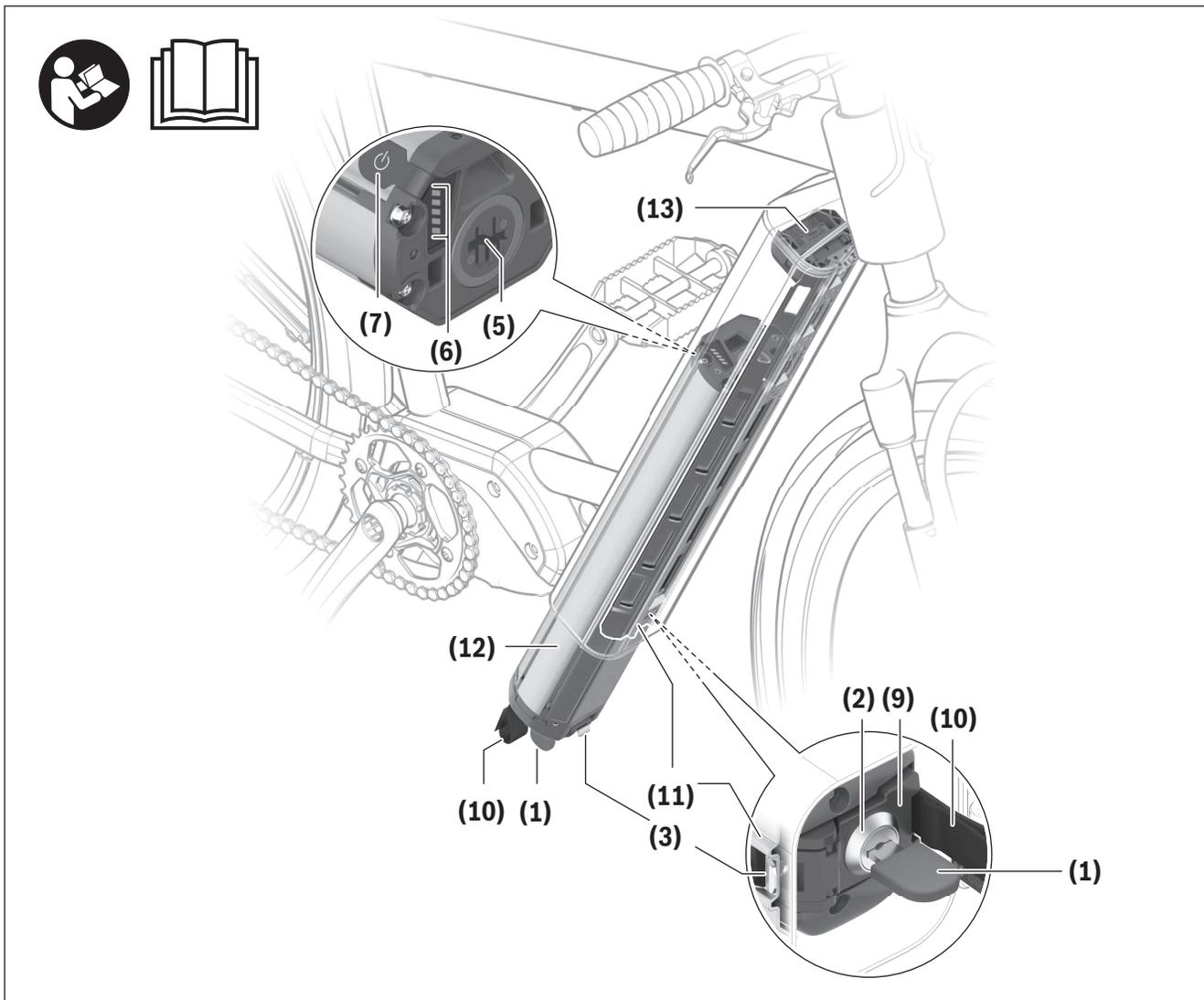
Características del producto PowerTube



Todas las representaciones de los componentes de la bicicleta, a excepción de las baterías y sus soportes, se muestran de manera esquemática y pueden diferir de su eBike.

- (1)** Llave de la cerradura del acumulador
- (2)** Cerradura del acumulador
- (3)** Gancho de retención del acumulador PowerTube

- (4)** Acumulador PowerTube (Pivot)
- (5)** Conector hembra para el cargador
- (6)** Indicador del estado de funcionamiento y de carga
- (7)** Tecla de conexión/desconexión
- (8)** Dispositivo de retención del acumulador PowerTube



Todas las representaciones de los componentes de la bicicleta, a excepción de las baterías y sus soportes, se muestran de manera esquemática y pueden diferir de su eBike.

(1) Llave de la cerradura del acumulador

(2) Cerradura del acumulador

(3) Gancho de retención del acumulador Power-Tube

(5) Conector hembra para el cargador

(6) Indicador del estado de funcionamiento y de carga

(7) Tecla de conexión/desconexión

(9) Enclavamiento

(10) Lazo de tracción

(11) Riel axial

(12) Acumulador PowerTube (Axial)

(13) Soporte superior de PowerTube Axial

Utilización reglamentaria

Los acumuladores para eBikes de Bosch están diseñados exclusivamente para la alimentación de corriente del grupo propulsor de su eBike y no deben utilizarse para ningún otro objetivo.

Datos técnicos

Acumulador de Iones de Litio		PowerTube 750
Código de producto	horizontal	BBP3775
Código de producto	vertical	BBP3776
Tensión nominal	V=	36
Capacidad nominal	Ah	20,1

Acumulador de Iones de Litio		PowerTube 750
Energía	Wh	750 ^{A)}
Temperatura de servicio	°F	23 ... 104
Temperatura de almacenamiento	°F	50 ... 104
Rango de temperatura de carga admisible	°F	32 ... 104
Peso, aprox.	lbs	9,7
Grado de protección		IP54

A) La capacidad energética de la batería anunciada es una aproximación. Debido a las tolerancias de fabricación, la capacidad medida no siempre coincide con la anunciada.

Montaje

- **Solamente coloque el acumulador sobre superficies limpias.** Ponga especial cuidado de no ensuciar el conector hembra para carga ni los contactos, p.ej. con arena o tierra.

Verifique el acumulador antes del primer uso

Verifique el acumulador antes de cargarlo por primera vez o de usarlo con su eBike.

Presione para ello la tecla de conexión/desconexión **(7)** para conectar el acumulador. Si no se enciende ningún LED del indicador de estado de carga **(6)**, entonces es probable que el acumulador esté dañado.

Si se enciende al menos uno pero no todos los LEDs en el indicador de estado de carga **(6)**, entonces cargue completamente el acumulador antes de usarlo por primera vez.

- **No cargue un acumulador dañado y no lo use.** Diríjase a una tienda de bicicletas autorizada.

Carga del acumulador

- **Un acumulador de eBike de Bosch sólo se debe cargar con un cargador original de eBike de Bosch.**

Indicación: El acumulador se suministra parcialmente cargado. Con el fin de obtener la plena potencia del

acumulador, antes de su primer uso, cárguelo completamente con el cargador.

Lea y atégase a las instrucciones de uso del cargador al cargar el acumulador.

El acumulador se puede cargar en cualquier estado de carga. Una interrupción del proceso de carga no afecta al acumulador.

El acumulador está equipado con un sistema de control de temperatura, que permite cargar sólo en el margen de temperatura entre **32 °F** y **104 °F**.



Si el acumulador se encuentra fuera del margen de temperatura de carga, parpadean tres LEDs del indicador de estado de carga **(6)**. Desconecte el acumulador del cargador y permita que alcance la temperatura correcta.

⚠ PRECAUCIÓN

- **No conecte el paquete de baterías al cargador hasta que haya alcanzado la temperatura de carga permitida.**

Indicador de estado de carga

Los cinco LEDs verdes del indicador de estado de carga **(6)** indican el estado de carga del acumulador con éste último conectado.

Cada uno de los LED corresponde por lo tanto a una capacidad aprox. de 20 %. Si el acumulador está completamente cargado se encienden los cinco LED. Adicionalmente se muestra el estado de carga de la batería conectada en la pantalla del ordenador de a bordo. Para ello lea y atégase a las instrucciones de uso del motor y del ordenador de a bordo.

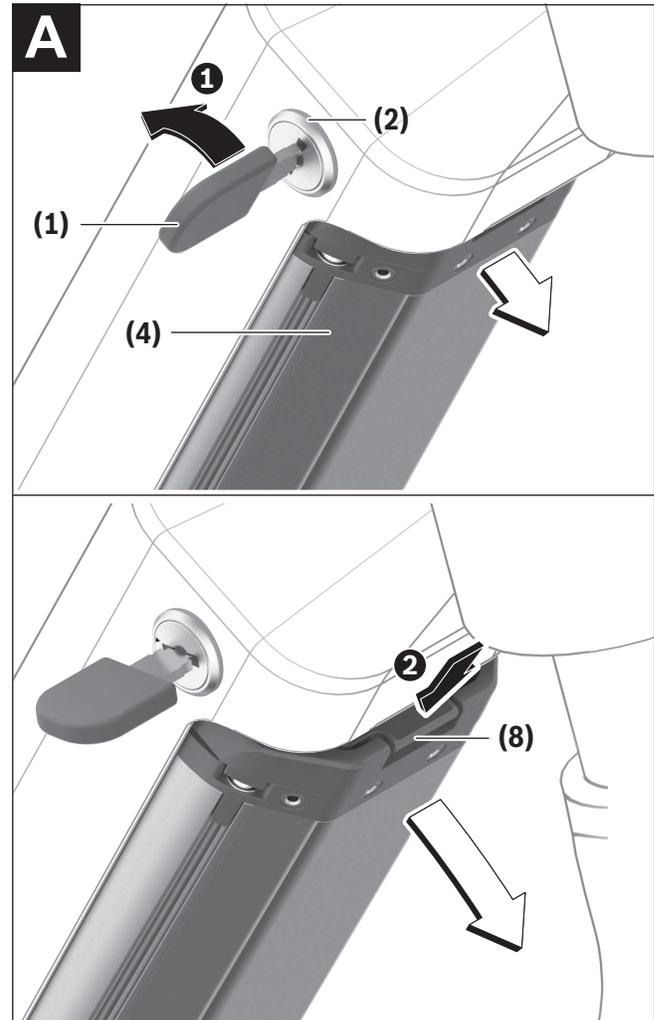
Si la capacidad del acumulador se encuentra por debajo del 5 %, en el acumulador se apagan todos los LEDs del indicador del estado de carga **(6)**, pero se mantiene la función de indicación del ordenador de a bordo.

Tras la carga, desconecte el acumulador del cargador y el cargador de la red.

Montaje y desmontaje del acumulador

- **Desconecte siempre la batería y el sistema eBike para montar o retirar la batería del soporte.**

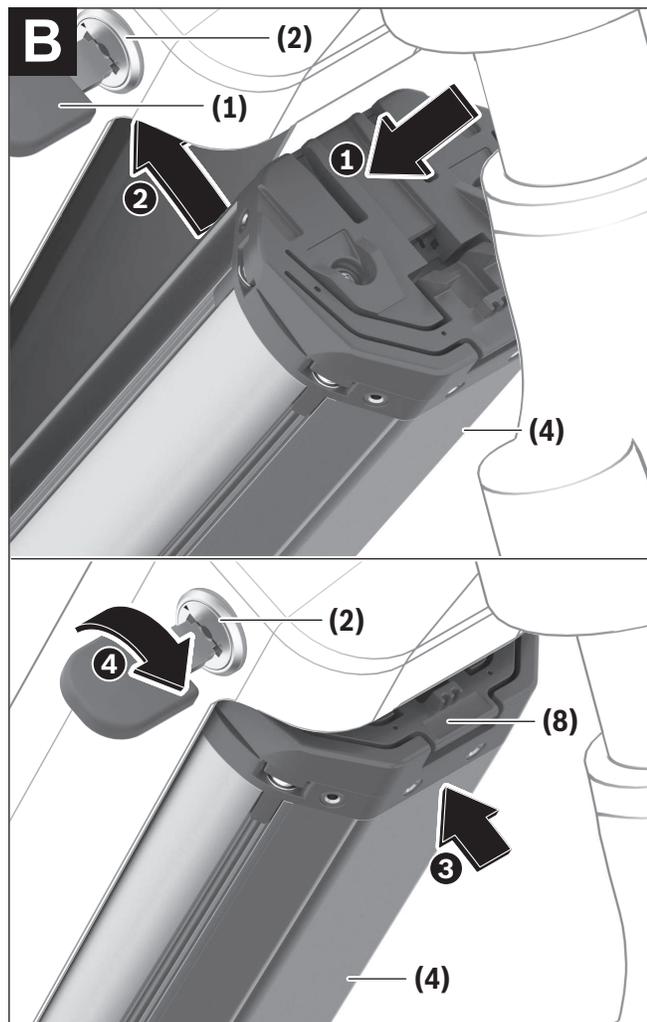
Retirar el acumulador PowerTube (Pivot) (ver figura A)



- 1 Para retirar el acumulador PowerTube **(4)**, abra la cerradura **(2)** con la llave **(1)**. El acumulador se desbloquea y cae en el dispositivo de retención **(8)**.
- 2 Presione el dispositivo de retención desde arriba, el acumulador se desbloquea por completo y cae en su mano. Retire el acumulador del marco.

Indicación: Debido a **diferentes** realizaciones constructivas, puede ser que la colocación y la extracción del acumulador deba realizarse de otro modo. Lea al respecto las instrucciones de servicio del fabricante de la eBike.

Colocar el acumulador PowerTube (Pivot) (ver figura B)



Para poder introducir el acumulador, se debe insertar la llave **(1)** en el candado **(2)** y el candado debe estar cerrado.

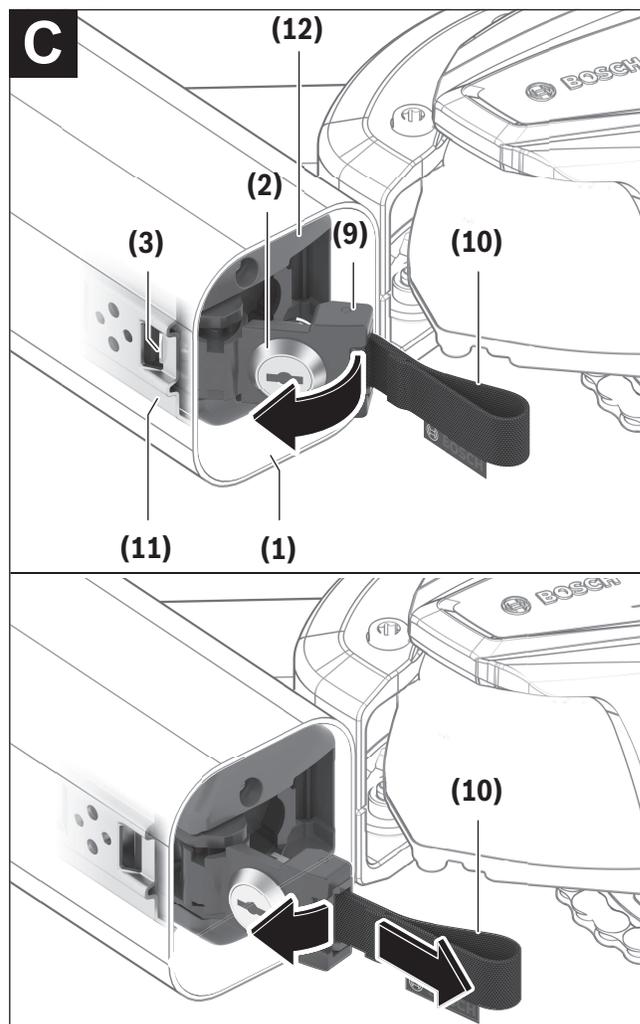
- ➊ Para introducir el acumulador PowerTube **(4)**, insértelo con los contactos en el soporte inferior del cuadro.
- ➋ Levante el acumulador hacia arriba hasta que quede sujeto en el sistema de retención **(8)**.
- ➌ Mantenga el candado abierto con la llave e introduzca el acumulador hacia arriba hasta que escuche que encastra. Compruebe en todas las di-

recciones, si el acumulador está firmemente asentado.

- ➍ Cierre siempre el acumulador con el candado **(2)** porque, de lo contrario, el candado podría abrirse y caer el acumulador del soporte.

Después de cerrar, retire siempre la llave **(1)** del candado **(2)**. Así evita que la llave se caiga o que el acumulador sea removido por terceros no autorizados cuando la eBike está parada.

Retirar el acumulador PowerTube (Axial) (ver figura C)

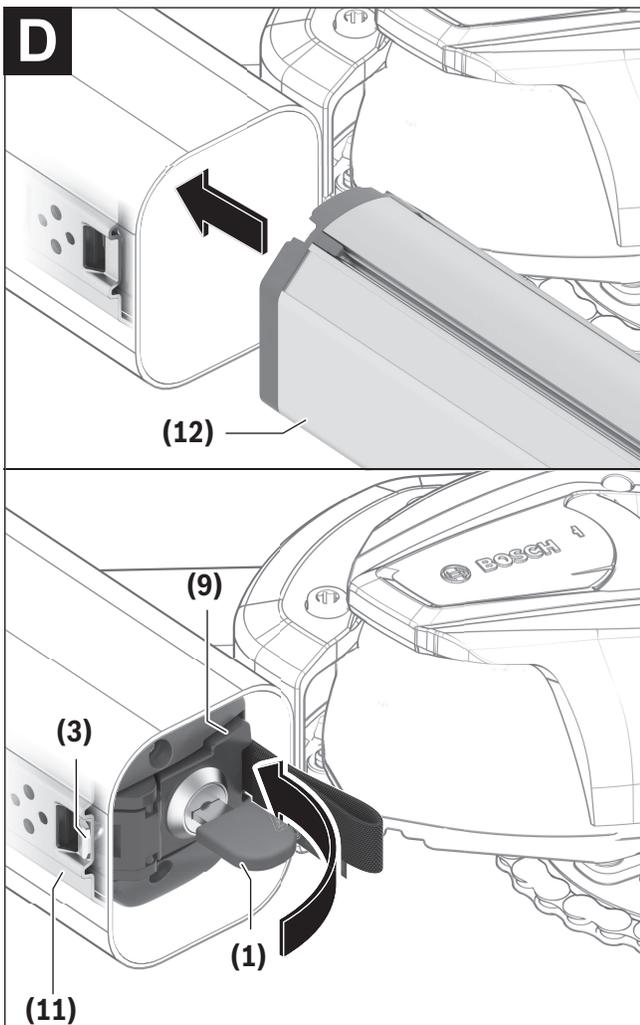


- ➎ Para extraer el acumulador PowerTube **(12)**, abra la cerradura **(2)** con la llave **(1)**, retire la llave **(1)** y gire el enclavamiento **(9)** hacia un lado.

- ② Con la ayuda del lazo de tracción **(10)**, retire el acumulador **(12)** del marco.

Indicación: Debido a **diferentes** realizaciones constructivas, puede ser que la colocación y la extracción del acumulador deba realizarse de otro modo. Lea al respecto las instrucciones de servicio del fabricante de la eBike.

**Colocar el acumulador PowerTube (Axial)
(ver figura D)**



Para poder introducir el acumulador, el enclavamiento **(9)** debe estar girado hacia un lado. La llave **(1)** no debe estar en la cerradura del acumulador **(2)** en este momento.

- ① Para colocar el acumulador PowerTube, introdúzcalo en el marco con el conector hembra para el cargador **(5)** hacia arriba, hasta que encastre.
- ② Cierre el enclavamiento **(9)**, introduzca la llave **(1)** en la cerradura del acumulador **(2)** y cierre con llave el acumulador. Asegúrese de que el gancho de seguridad **(3)** esté enganchado en la abertura del riel axial **(11)**.
- ③ Compruebe en todas las direcciones, si el acumulador está firmemente asentado.

Después de cerrar, retire siempre la llave **(1)** del candado **(2)**. Así evita que la llave se caiga o que el acumulador sea removido por terceros no autorizados cuando la eBike está parada.

Operación

Puesta en marcha

- **Utilice únicamente acumuladores originales Bosch autorizados por el fabricante para su eBike.** El uso de otro tipo de acumuladores puede acarrear lesiones e incluso un incendio. Si se aplican acumuladores de otro tipo Bosch declina cualquier responsabilidad y el derecho a garantía.

Conexión/desconexión

Una de las opciones para conectar el sistema eBike es conectando el acumulador. Para ello lea y atégase a las instrucciones de uso del motor y del ordenador de a bordo.

Antes de encender el acumulador o el sistema eBike, compruebe si el candado **(2)** está cerrado.

Para **encender** el acumulador, pulse la tecla de conexión/desconexión **(7)**. No utilice ningún objeto afilado o puntiagudo para pulsar la tecla. Los ledes del indicador **(6)** se iluminan y muestran al mismo tiempo el estado de carga.

- **Compruebe siempre que el paquete de baterías esté bloqueado en su lugar.** Para ello, tire de la batería (después de haber retirado la llave).

Indicación: si la capacidad del acumulador es inferior al 5 %, en el acumulador no se enciende ningún LED del indicador de estado de carga **(6)**. Solamente se puede ver en el ordenador de a bordo/en la unidad de mando, si el sistema eBike está conectado.

Para **apagar** el acumulador, pulse de nuevo la tecla de conexión/desconexión **(7)**. Los ledes del indicador **(6)** se apagan. El sistema eBike también se desconecta.

Si durante unos **10** minutos no se solicita potencia al accionamiento de la eBike (p. ej. porque la eBike está parada) y no se pulsa ninguna tecla del ordenador de a bordo o de la unidad de mando de la eBike, el eBike-System se desconecta automáticamente.

El acumulador está protegido contra descarga total, sobrecarga, sobrecalentamiento y cortocircuito gracias al sistema de protección electrónica de celdas "Electronic Cell Protection (ECP)". En esos casos, un circuito de protección se encarga de desconectar automáticamente el acumulador.



Si se detecta un defecto del acumulador, dos ledes del indicador de estado de carga **(6)** parpadean. En este caso, diríjase a un distribuidor de bicicletas autorizado.

Comportamiento en caso de avería

El acumulador de la eBike de Bosch no se debe abrir, ni siquiera para fines de reparación. Existe el riesgo de que el acumulador de la eBike de Bosch se inflame, p. ej., debido a un cortocircuito. Este peligro existe al seguir utilizando un acumulador de eBike de Bosch **una vez** abierto, también en una fecha posterior.

Por esta razón, no deje reparar el acumulador de la eBike de Bosch en caso de avería, sino déjelo reemplazar por un acumulador original de eBike de Bosch por su distribuidor especializado.

Transporte

⚠ ADVERTENCIA

- **Extraiga siempre la batería de la bicicleta antes de transportarla en un portabicicletas sobre un vehículo.** No extraer la batería cuando se utiliza un portabicicletas sobre un vehículo puede causar la muerte o lesiones graves. La batería podría soltarse

durante el transporte y causar un accidente a otros vehículos.

- **Utilice en todo caso un portabicicletas homologado y compatible cuando transporte su eBike. El sistema de accionamiento de Bosch incrementa el peso de la bicicleta.** Consulte el manual

de su portabicicletas para asegurarse de que la eBike es compatible. Sobrecargar un portabicicletas puede causar la muerte o lesiones graves.

- ▶ **Utilice técnicas de elevación adecuadas, ya que las bicicletas eléctricas suelen ser más pesadas que las normales.**

Transporte únicamente baterías cuya carcasa esté intacta. Pegue los contactos abiertos y empaquete la batería de manera que no se mueva dentro del emba-

laje. Indique al servicio de paquetería que se trata de mercancía peligrosa. Observe también la normativa nacional aplicable. Compruebe siempre las normativas estatales y regionales antes de transportar sus baterías.

En todas las consultas referentes al transporte de los acumuladores diríjase a una tienda de bicicletas autorizada. En dichas tiendas puede Ud. adquirir también un embalaje de transporte apropiado.

Mantenimiento/Limpieza

⚠ ADVERTENCIA

- ▶ **No abra ninguno de los componentes. El mantenimiento debe llevarse a cabo exclusivamente por parte de un distribuidor de eBike de Bosch autorizado.** El incumplimiento de la advertencia anterior puede causar la muerte o lesiones graves. Consulte su manual de la bicicleta o de aquellos componentes del sistema de accionamiento que no sean de Bosch.
- ▶ **Retire siempre la batería antes de realizar cualquier inspección, reparación o trabajo de mantenimiento en la bicicleta.** No retirar la batería antes de realizar cualquier inspección, reparación o trabajo de mantenimiento en la bicicleta puede causar la muerte o lesiones graves.
- ▶ **Si cambia la batería, adquiera únicamente baterías originales de Bosch en un punto de venta autorizado. Diríjase a su distribuidor de eBike de Bosch para adquirir recambios originales.**
- ▶ **Desconecte siempre la batería cuando la introduzca o extraiga del soporte.** Nunca intente introducir ni extraer la batería con la bicicleta en marcha.
- ▶ **No cargue ni utilice la eBike en lugares con una atmósfera potencialmente explosiva, como gasolineras, ni en zonas en las que el aire contenga productos químicos o partículas (como semillas, polvo o polvo de metales).** Obedezca todas las señales e instrucciones.

- ▶ **No sumerja los componentes eBike en el agua ni los limpie con una manguera a presión.** El accionamiento de Bosch está diseñado para ser impermeable al agua de lluvia o a una limpieza con manguera sin presión.
- ▶ **Apunte el fabricante y el número de la llave.** Si pierde las llaves, diríjase a un distribuidor de eBike de Bosch autorizado. Facilite el nombre del fabricante y el número de la llave.
- ▶ **No pinte los componentes del sistema de accionamiento de Bosch, ya que eso podría causar un fallo temprano de los mismos.**

Servicio técnico y atención al cliente

En caso de cualquier consulta sobre el sistema eBike y sus componentes, diríjase a un distribuidor de bicicletas autorizado.

Los detalles de contacto de los distribuidores de bicicletas autorizados se pueden encontrar en el sitio web www.bosch-ebike.com.

Si su acumulador ya no funciona acuda por favor a una tienda de bicicletas autorizada.

Limpieza

- ▶ **No sumerja los componentes eBike en el agua ni los limpie con una manguera a presión.** El accionamiento de Bosch está diseñado para ser impermeable al agua de lluvia o a una limpieza con manguera sin presión.

Mantenga limpios los componentes de su eBike, especialmente los contactos del acumulador y del res-

pectivo soporte. Todos los componentes inclusive la unidad motriz no deberán sumergirse en agua ni tratarse con una limpiadora de alta presión. Límpielos

con un paño suave y húmedo (utilice únicamente jabón neutro y agua).

Almacenamiento

La vida útil del acumulador puede prolongarse si éste se trata apropiadamente y ante todo si se almacena respetando el margen de temperatura prescrito.

Aún así, a medida que va envejeciendo el acumulador, su capacidad irá mermando.

Un período de funcionamiento significativamente reducido después de la carga indica que el paquete de baterías está desgastado y debe ser reemplazado.

Puede reemplazarse comprando un PowerPack de Bosch original en un distribuidor autorizado de eBike de Bosch.

Recarga del acumulador antes y durante su almacenaje

En el caso de no utilizar el acumulador durante un largo tiempo (> 3 meses), almacénelo con un estado de carga de aprox. 30 % hasta 60 % (2 a 3 LEDs del indicador de estado de carga **(6)** iluminados).

Controle el nivel de carga pasados 6 meses. Si sólo está encendido aún un LED del indicador de estado de carga **(6)**, entonces recargue el acumulador de nuevo a aprox. 30 % hasta 60 %.

Indicación: Si el acumulador se almacena en un estado descargado durante mucho tiempo, puede dañarse a pesar de la baja autodescarga y la capacidad de almacenamiento puede reducirse considerablemente.

No se recomienda dejar permanentemente conectado el acumulador al cargador.

Condiciones para el almacenaje

Se aconseja guardar el acumulador en un lugar seco y bien ventilado. Protéjalo de la humedad y del agua.

En condiciones climáticas adversas, se recomienda p. ej. retirar el acumulador de la eBike y almacenarlo en habitaciones cerradas hasta el siguiente uso.

Almacene los acumuladores de la eBike en los siguientes lugares:

- en habitaciones con detectores de humo
- no cerca de objetos inflamables o fácilmente inflamables
- no cerca de fuentes de calor

Para una vida útil óptima del acumulador de la eBike, guarde el acumulador de la eBike a temperaturas entre **50 °F** y **68 °F**. Las temperaturas inferiores a **14 °F** o superiores a **140 °F** deben evitarse siempre.

Preste atención a no rebasar la temperatura de almacenaje máxima. No deje el acumulador en el automóvil, p. ej. en el verano, y guárdelo lejos de la irradiación solar directa.

Se recomienda no dejar el acumulador en la bicicleta para el almacenamiento.

Resolución de problemas

Causa	Remedio
 Acumulador defectuoso	Dos LEDs en el acumulador parpadean. Póngase en contacto con un distribuidor de bicicletas autorizado.
 Acumulador demasiado caliente o frío	Tres LEDs en el acumulador parpadean. Desconectar el acumulador del cargador hasta que se alcance el rango de temperatura de carga. No conecte de nuevo el acumulador al cargador hasta que haya alcanzado la temperatura de carga correcta.
 El cargador no carga.	No parpadea ningún LED (en función del estado de carga de la batería de la eBike se iluminan permanentemente uno o varios LED). Póngase en contacto con un distribuidor de bicicletas autorizado.
No es posible cargar (ninguna indicación en el acumulador)	
Enchufe incorrectamente introducido	Verificar todas las conexiones por enchufe.
Contactos del acumulador, sucios	Limpiar con cuidado los contactos del acumulador.
Toma de corriente, cable o cargador defectuoso	Comprobar la tensión de la red; dejar revisar el cargador por parte del distribuidor de bicicletas.
Acumulador defectuoso	Póngase en contacto con un distribuidor de bicicletas autorizado.

Programa de reciclaje de baterías



La unidad de accionamiento, el ordenador de a bordo incl. la unidad de mando, el acumulador, el sensor de velocidad, los accesorios y los embalajes deben reciclarse de forma respetuosa con el medio ambiente.

¡No arroje eBikes y sus componentes a la basura!

Antes de eliminar las baterías, proteja los contactos de los polos de las mismas con cinta adhesiva.

No manipule los acumuladores de eBike dañados con manos desprotegidas, ya que puede derramarse electrolito y causar irritaciones cutáneas. Guarde el acumulador defectuoso en un lugar seguro al aire libre. Si es necesario, aisle los polos e informe a su distribuidor. Él le ayudará con la eliminación adecuada.



Puede reciclar su paquete de baterías de Bosch llamando al 1.800.822.8837.